

Snap-on

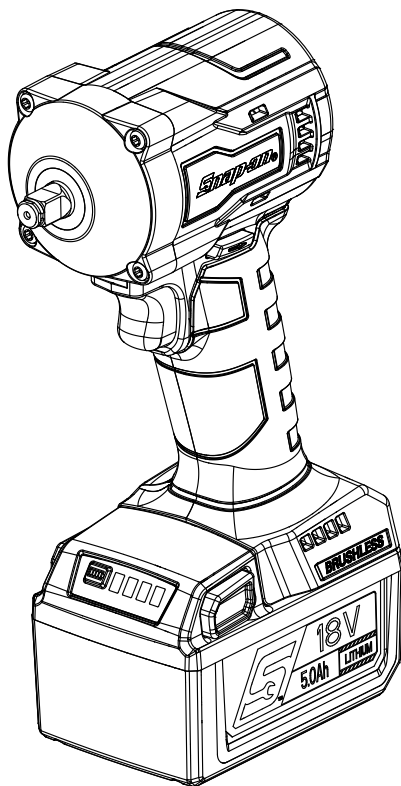
UK
CA



CT9035/CT9038



Cordless Impact Wrench



- EN ORIGINAL INSTRUCTIONS
- NL VERTALING VAN DE OORSPRONKELIJKE GEBRUIKSAANWIJZING
- FR TRADUCTION DES INSTRUCTIONS ORIGINALES
- DE ÜBERSETZUNG DER ORIGINALANLEITUNGEN
- IT TRADUZIONE DELLE ISTRUZIONI ORIGINALI
- ES TRADUCCIÓN DE LAS INSTRUCCIONES ORIGINALES
- JA 原文説明書の翻訳



CT9035/CT9038 Cordless Impact Wrench



Safety Messages

Snap-on Tools Company provides safety messages to cover reasonable situations that may be encountered when operating, servicing or repairing cordless tools. It is the responsibility of operators and servicing technicians to be knowledgeable about the procedures, tools and materials used, and to satisfy themselves that the procedures, tools and materials will not compromise their safety, that of others in the work place or the tool.

General Power Tool Safety Warnings



Read all safety warnings, instructions, illustrations and specifications provided with this power tool. Failure to follow the warnings and instructions may result in electric shock, fire and/or serious injury.

SAVE ALL WARNINGS AND INSTRUCTIONS FOR FUTURE REFERENCE

The term "power tool" in the warnings refers to your mains-operated (corded) power tool or battery-operated (cordless) power tool.

Work area safety

- **Keep work area clean and well lit.** *Cluttered or dark areas invite accidents.*
- **Do not operate power tools in explosive atmospheres, such as in the presence of flammable liquids, gases, or dust.** *Power tools create sparks which may ignite the dust or fumes.*
- **Keep children and bystanders away while operating a power tool.** *Distractions can cause you to lose control.*

Electrical safety

- **Power tool plugs must match the outlet. Never modify the plug in any way. Do not use any adapter plugs with earthed (grounded) power tools.** *Unmodified plugs and matching outlets will reduce risk of electric shock.*
- **Avoid body contact with earthed or grounded surfaces such as pipes, radiators, ranges and refrigerators.** *There is an increased risk of electric shock if your body is earthed or grounded.*
- **Do not expose power tools to rain or wet conditions.** *Water entering a power tool will increase the risk of electric shock.*
- **Do not abuse the cord. Never use the cord for carrying, pulling or unplugging the power tool. Keep cord away from heat, oil, sharp edges or moving parts.** *Damaged or entangled cords increase the risk of electric shock.*
- **When operating a power tool outdoors, use an extension cord suitable for outdoor use.** *Use of a cord suitable for outdoor use reduces the risk of electric shock.*
- **If operating a power tool in a damp location is unavoidable, use a GROUND FAULT CIRCUIT INTERRUPTER (GFCI) protected supply.** *Use of a GFCI reduces the risk of electric shock.*

AUSTRALIA/NEW ZEALAND:

- **If operating a power tool in a damp location is unavoidable, use a RESIDUAL CURRENT DEVICE (RCD) protected supply rated 30 mA or less.** *Use of an RCD reduces the risk of electric shock.*

Personal safety

- **Stay alert, watch what you are doing and use common sense when operating a power tool. Do not use a power tool while you are tired or under the influence of drugs, alcohol or medication.** *A moment of inattention while operating power tools may result in serious personal injury.*
- **Use personal protective equipment. Always wear eye protection.** *Protective equipment such as dust mask, non-skid safety shoes, hard hat, or hearing protection used for appropriate conditions will reduce personal injuries.*
- **Prevent unintentional starting. Ensure the switch is in the off-position before connecting to power source and/or battery pack, picking up or carrying the tool.** *Carrying power tools with your finger on the switch or energising power tools that have the switch on invites accidents.*
- **Remove any adjusting key or wrench before turning the power tool on.** *A wrench or a key left attached to a rotating part of the power tool may result in personal injury.*
- **Do not overreach. Keep proper footing and balance at all times.** *This enables better control of the power tool in unexpected situations.*
- **Dress properly. Do not wear loose clothing or jewellery. Keep your hair, clothing and gloves away from moving parts.** *Loose clothes, jewellery or long hair can be caught in moving parts.*

- If devices are provided for the connection of dust extraction and collection facilities, ensure these are connected and properly used. Use of dust collection can reduce dust-related hazards.
- Do not let familiarity gained from frequent use of tools allow you to become complacent and ignore tool safety principles. A careless action can cause severe injury within a fraction of a second.

Power tool use and care

- Do not force the power tool. Use the correct power tool for your application. The correct power tool will do the job better and safer at the rate for which it was designed.
- Do not use the power tool if the switch does not turn it on and off. Any power tool that cannot be controlled with the switch is dangerous and must be repaired.
- Disconnect the plug from the power source and/or the battery pack from the power tool before making any adjustments, changing accessories, or storing power tools. Such preventive safety measures reduce the risk of starting the power tool accidentally.
- Store idle power tools out of the reach of children and do not allow persons unfamiliar with the power tool or these instructions to operate the power tool. Power tools are dangerous in the hands of untrained users.
- Maintain power tools and accessories. Check for misalignment or binding of moving parts, breakage of parts and any other condition that may affect the power tool's operation. If damaged, have the power tool repaired before use. Many accidents are caused by poorly maintained power tools.
- Keep cutting tools sharp and clean. Properly maintained cutting tools with sharp cutting edges are less likely to bind and are easier to control.
- Use the power tool, accessories and tool bits etc., in accordance with these instructions, taking into account the working conditions and the work to be performed. Use of the power tool for operations different from those intended could result in a hazardous situation.
- Keep handles and grasping surfaces dry, clean and free from oil and grease. Slippery handles and grasping surfaces do not allow for safe handling and control of the tool in unexpected situations.

Battery tool use and care

- Recharge only with the charger specified by the manufacturer. A charger that is suitable for one type of battery pack may create a risk of fire when used with another battery pack.
- Use power tools only with specifically designated battery packs. Use of any other battery packs may create a risk of injury or fire.
- When battery pack is not in use, keep it away from other metal objects, like paper clips, coins, keys, nails, screws or other small metal objects, that can make a connection from one terminal to another. Shorting the battery terminals together may cause burns or a fire.
- Under abusive conditions, liquid may be ejected from the battery; avoid contact. If contact accidentally occurs, flush with water. If liquid contacts eyes, additionally seek medical help. Liquid ejected from the battery may cause irritation or burns.

- Do not use a battery pack or tool that is damaged or modified. Damaged or modified batteries may exhibit unpredictable behaviour resulting in fire, explosion or risk of injury.
- Do not expose a battery pack or tool to fire or excessive temperature. Exposure to fire or temperature above 265°F (130°C) may cause explosion.
- Follow all charging instructions and do not charge the battery pack or tool outside the temperature range specified in the instructions. Charging improperly or at temperatures outside the specified range may damage the battery and increase the risk of fire.

Service

- Have your power tool serviced by a qualified repair person using only identical replacement parts. This will ensure that the safety of the power tool is maintained.
- Never service damaged battery packs. Service of battery packs should only be performed by the manufacturer or authorized service providers.

Specific Safety Rules

- Hold power tool by insulated gripping surfaces, when performing an operation where the fastener may contact hidden wiring. Fasteners contacting a "live" wire may make exposed metal parts of the power tool "live" and could give the operator an electric shock.

Cordless Impact Wrench Messages

WARNING



Improper use of power tools and accessories can cause broken tools.

- Read instructions before operating power tools.
- Be sure these instructions accompany the tool when passed from one user to a new or inexperienced user.
- Do not remove any labels. Replace all damaged labels.

Broken tools can cause injury.



Cordless tools can spark.

- Do not lubricate or clean tools with flammable or volatile liquids such as kerosene, gasoline, diesel or jet fuel.

Sparks can ignite fumes and cause fire.



Risk of contamination from hazardous dust.

- Wear an approved dust mask or respirator when using power tools that create dust.

Inhaling hazardous dust can cause injury.



Power tools can cause flying particles during use.

- **Wear safety goggles, user and bystanders.**

Flying particles can cause injury.



Power tools generate noise.

- **Wear hearing protection, user and bystanders.**

Prolonged exposure to noise can cause hearing loss.



Power tools vibrate.

- **Avoid prolonged exposure to vibration, repetitive motions and uncomfortable positions.**
- **Stop using the tool if discomfort, tingling feeling or pain occurs. Seek medical advice before resuming use.**
- **Do not use the tool if it vibrates too much, makes unusual noises, has loose parts, or shows any other signs of damage.**
- **If the tool malfunctions, discontinue use and immediately arrange for service and repair.**

Prolonged exposure to vibration, repetitive motions and uncomfortable positions can cause injury.

Sudden changes in motion or position can occur while using the tool.

- **Anticipate and be alert for changes in motion during start up and operation.**
- **Maintain a secure grip.**
- **Anticipate reaction force. Adjust your stance and hold tool securely.**
- **Observe the position of the reverse mechanism before operating the tool and be aware of rotation direction when you press the trigger.**

Sudden changes in motion or position can cause injury.



Risk of entanglement.

- **Keep body parts away from rotating parts.**
- **Wear protective hair covering to contain long hair.**
- **Keep handle dry, clean and free from oil and grease.**
- **Do not lock or tape the trigger in the ON position.**
- **Remove battery pack before changing accessories.**

Entanglement can cause injury.

WARNING

- **Use only impact sockets and accessories with these impact wrenches. Use of hand or power sockets will cause premature failure of the socket and possible injury to the user. Do not use chipped, cracked, or damaged sockets or accessories.**

- The CT9035/CT9038 features a steel locking ring for retaining the sockets. The ring holds the socket in place by friction. It may be necessary to replace the ring periodically should socket retention become less than desired.
- Use only ball-joint flexible sockets. Use of square block type flexible sockets can cause injury, as they are not designed for impact use.
- When using extensions, hold the impact wrench so the socket fits straight on the fastener.
- Use clamps or other practical ways to secure and support the workpiece to a stable platform.

Holding the work by hand or against your body is unstable and may lead to loss of control.

Battery Pack Safety Messages

WARNING



Risk of explosion or fire.

- **Do not store the tool and battery in locations where the temperature may reach or exceed 120°F (49°C).**
- **CTC131A/CTCA131A/CTCEU131A/CTCJ131A chargers will not charge battery when temperature is below 32°F (0°C) or above 113°F (45°C).**
- **Do not incinerate the battery, even if severely damaged or completely exhausted. The battery may explode in fire.**
- **Cover the battery pack terminals with heavy adhesive tape after removing the battery pack.**
- **Do not attempt to destroy or disassemble the battery pack or remove any of its components.**
- **Do not charge battery pack using an engine generator or DC power source.**
- **Charge battery pack in a well ventilated area.**

Explosion or flames can cause injury.



Risk of electric shock.

- **Do not disassemble the battery.**
- **Do not short circuit the battery.**
- **Charge battery pack only with Snap-on brand chargers for specified battery packs.**
- **Disconnect battery pack when not in use, before servicing and when changing accessories.**
- **Do not charge battery pack using an engine generator or DC power source.**

Electric shock or fire can cause injury.



Risk of burn.

- **Battery leakage may occur under conditions of extreme usage or temperature.**
- **Under abusive conditions, liquid may be ejected from the battery; avoid contact. If contact accidentally occurs, flush with water. If liquid contacts eyes, additionally seek medical help.**

Liquid ejected from the battery may cause irritation or burns.

- **Ensure the switch is in the off position before inserting battery pack.**

Inserting the battery pack into power tools that have the switch on invites accidents.

- **When battery pack is not in use, do not place it in a clothing pocket.**

Battery leakage or sparks may cause burns or fire.



Risk of short circuit and fire.

- **Do not short battery pack.**
- **Do not touch the terminals with any conductive material.**
- **Avoid storing battery pack with conductive materials such as nails, screws, coins, and other metallics objects.**
- **Do not carry battery pack in aprons or pockets that contain conductive objects.**

Short circuit can cause fire and severe burns.

Safety Rules for Battery Disposal



The **RBRC™** Seal on the lithium-ion battery contained in this product indicates that **Snap-on** is voluntarily participating in an industry program to collect and recycle these batteries at the end of their useful life.

US	https://www.call2recycle.org/what-can-i-recycle/
CA	https://recycleyourbatteries.ca/
UK	When battery has reached end of life, please take it to your franchisee or a local battery recycler in accordance with local regulations. Customer Service Number: +44 (0) 1536 413904 Email: industrialuk@snapon.com

Snap-on's involvement in this program is part of its commitment to protecting our environment and conserving our natural resources.

FCC Regulations



This device complies with Part 15, Subpart B of the FCC Rules. Operation is subject to the following two conditions:

1. This device may not cause harmful interference, and
2. This device must accept any interference received, including interference that may cause undesired operation.

! WARNING



Risk of explosion or fire.

- **Do not throw away used batteries! Return your battery to a *Snap-on* authorized repair center for recycling.**

Explosion or flames can cause injury.



Risk of fire.

- **Do not attempt to disassemble the battery or remove any component projecting from the battery terminals.**
- **Prior to recycling, protect exposed terminals with heavy insulating tape to prevent shorting.**

Fire can cause injury.

Battery Charger Safety Messages

! WARNING



Risk of electric shock and fire.

- **Do not insert battery pack into charger if case is cracked or damaged.**

Electric shock and fire can cause injury.

- **To reduce the risk of electric shock, this power cord (for USA version) has a polarized plug, (one blade is wider than the other.) This plug will fit in on a polarized outlet only one way. If the plug does not fit fully into the outlet, reverse the plug; if it still does not fit, contact a qualified electrician to install the proper outlet. Do not change the plug in any way.**

- Use the CTC131A/CTCA131A/CTCEU131A/CTCJ131A chargers only with the CTB8185BK/CTB8187/CTB8172BK/CTB8174/CTB185/CTB1856 rechargeable battery packs; Charging of any other types of batteries may cause batteries to burst, causing injury and damage.
- Under abusive conditions, liquid may be ejected from the battery; avoid contact. If contact accidentally occurs, flush with water. If liquid contacts eyes, additionally seek medical help.

Liquid ejected from the battery may cause irritation or burns.

- Never attempt to connect two chargers together.
- Do not expose charger to rain or snow.
- Pull by plug rather than cord when disconnecting charger.
- Be sure the cord is not stepped on, tripped over, damaged, or stressed.



Risk of explosion.

- Wear safety goggles, user and bystander.

Explosion can cause eye injury.



Improper use of power tools and accessories can cause broken tools.

- Before using charger, read all instructions and cautionary markings on the charger, battery, and product using battery.

Broken tools can cause injury.

IMPORTANT SAFETY INSTRUCTIONS



Risk of electric shock and fire.

DANGER—TO REDUCE THE RISK OF FIRE OR ELECTRIC SHOCK, CAREFULLY FOLLOW THESE INSTRUCTIONS.

1. This manual contains important safety and operating instructions for the Snap-on CTC131A/CTCA131A/CTCEU131A/CTCJ131A Charger.
2. Before using battery charger, read all instructions and cautionary markings on battery charger, battery, and product using battery.
3. **CAUTION**—To reduce risk of injury, charge only CTB8185BK/CTB8187/CTB8172BK/CTB8174/CTB185/CTB1856 type rechargeable batteries. Other types of batteries may burst causing personal injury and damage.
4. Do not expose charger to rain, moisture, or snow.
5. Use of an attachment not recommended or sold by the battery charger manufacturer may result in a risk of fire, electric shock, or injury to persons.
6. To reduce the risk of damage to cord, pull by the plug rather than the cord when disconnecting the charger.
7. Make sure cord is located so that it will not be stepped on, tripped over, or otherwise subjected to damage or stress.
8. Do not operate the charger with damaged cord - replace it immediately.
 - Cord replacement for CTC131A/CTCA131A/CTCEU131A/CTCJ131A charger must be done with identical **Snap-on** cord
9. Do not operate charger if it has received a sharp blow, been dropped, or otherwise damaged in any way; take it to a qualified service person.
10. Do not disassemble charger; take it to a qualified service person when service or repair is required. Incorrect reassembly may result in a risk of electric shock or fire.
11. To reduce risk of electric shock, unplug charger before attempting any maintenance or cleaning. Turning off controls will not reduce this risk.
12. The charger is not intended for use by persons (including children) with reduced physical, sensory or mental capabilities, or lack of experience and knowledge, unless they have been given supervision or instruction concerning use of the charger by a person responsible for their safety.
13. Children should be supervised to ensure that they do not play with the appliance.
14. Do not recharge non-rechargeable batteries.
15. Never attempt to connect two chargers together.
16. Have your charger serviced by a qualified repair person using only identical replacement parts. This will ensure that the safety of the charger is maintained.
17. For the location of the nearest Snap-on repair center, please call Snap-on customer service at 1-877-762-7664.
18. To reduce risk of battery explosion, follow these instructions and those marked on the battery.
19. Never smoke or allow an open spark or flame in the vicinity of the battery or engine.
20. Never charge a frozen battery.
21. Do not operate charger in a closed-in area or restrict ventilation in any way.
22. Do not use an extension cord unless absolutely necessary. If an extension cord must be used, make sure that the:
 - Pins on the plug of the extension cord are the same number, size and shape of those of the plug on the charger,

- Extension cord is properly wired and in good electrical condition, and
- Wire size is large enough for AC ampere rating of charger as follows

100-120 Volt Charger Cord Length (feet)	Wire Size (AWG)
25	18
50	18
100	18
220-240 Volt Charger Cord Length (meters)	Wire Size (mm)
50	0.75
75	1.0

Recommended Extension Cord Length

SAVE THESE INSTRUCTIONS

Functional Description

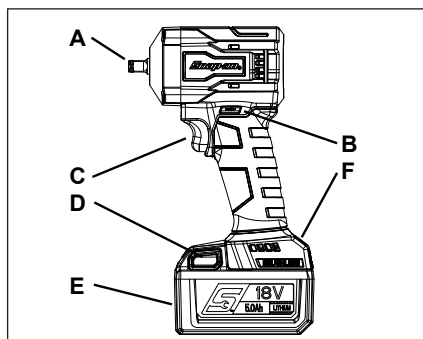


Figure 1: Cordless Impact Wrench

- A. Friction Ring Anvil
- B. Forward/Reverse Bar
- C. Trigger
- D. Release Button
- E. Battery Pack
- F. Power Settings

Specifications

Impact Wrench Specifications

Square Drive Size.....	
CT9035.....	.1/2" (13 mm)
CT9038.....	.3/8" (10 mm)

Tightening Torque.....	275 ft. lbs. (370 N•m)
Bolt Breakaway Torque.....	525 ft. lbs (712 N•m)
Free Speed.....	2050 rpm
Impacts per Minute.....	3300 ipm
Motor Voltage.....	18.0 VDC

Weight with Battery Pack (Lithium-Ion)
..... 4.4 lbs. (2.0 kg)

Noise* (Tested in accordance with EN 62841)

CT9035	
Sound Pressure Level (A).....	93.8 dB
Uncertainty, K.....	0.84 dB
Sound Power Level (A).....	105.4 dB
Uncertainty, K.....	0.84 dB

CT9038

Sound Pressure Level (A).....	95.3 dB
Uncertainty, K.....	0.45 dB
Sound Power Level (A).....	106.9 dB
Uncertainty, K.....	0.45 dB

Vibration* (Tested in accordance with EN 62841)

CT9035	
Vibration Level.....	4.91 m/s ²
Uncertainty, K.....	0.71 m/s ²

CT9038

Vibration Level.....	6.62 m/s ²
Uncertainty, K.....	1.37 m/s ²







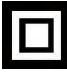

* NOTE: The declared vibration total value(s) and the declared noise emission value(s) have been measured in accordance with a standard test method and may be used for comparing one tool with another. The declared vibration total value(s) and the declared noise emission value(s) may also be used in a preliminary assessment of exposure.

WARNING

The vibration and noise emissions during actual use of the power tool can differ from the declared values depending on the ways in which the tool is used especially what kind of workpiece is processed. Identify safety measures to protect the operator that are based on an estimation of exposure in the actual conditions of use (taking account of all parts of the operating cycle such as the times when the tool is switched off and when it is running idle in addition to the trigger time).

Snap-on disclaims liability for the consequences of using the declared values, instead of values reflecting the actual exposure determined in an individual risk assessment in a work place situation over which we have no control.

Symbology

SYMBOLGY	
	REFER TO INSTRUCTION MANUAL/BOOKLET
	WEAR EYE PROTECTION
	WEAR HEARING PROTECTION
	VIBRATION HAZARD
V	VOLTS
---	DIRECT CURRENT
n_g xxx/min	NO LOAD SPEED
CE	CE MARKING
	UNITED STATES - CANADA UL SOLUTIONS
C UL US	UNITED STATES - CANADA UL SOLUTIONS
FC	FCC FEDERAL COMMUNICATIONS COMMISSION
	JAPAN ELECTRICAL SAFETY TÜV RHEINLAND
	DOUBLE INSULATION
BFP	BACK FEED PROTECTION
	PROPERLY RECYCLE BATTERY

	DO NOT THROW IN GARBAGE
BC	CALIFORNIA - TITLE 20 COMPLIANT
UK CA	UKCA (UK CONFORMITY ASSESSED) MARKING
	RCM (REGULATORY COMPLIANCE MARK)

Battery Pack Specifications

	CTB185/ CTB8187	CTB1856
Type	Lithium-Ion	Lithium-Ion
Voltage	18 VDC (3.6 V x 5 cell pairs)	18 VDC (3.6 V x 5 cell pairs)
Weight	~1.5 lbs (0.68 kg)	~1.5 lbs (0.68 kg)
Charge Time	refer to section Battery Charging	
Life	1000 cycles (1 cycle=1 charge and 1 discharge)	
Capacity	5.0 Ah	5.6 Ah
Discharge Temperature Range	-4°F(-20°C) to 140°F(60°C)	

Battery Charger Specifications

	CTC131A/CTCA131A/ CTCEU131A/CTCJ131A
Input	100-240V, 50/60 Hz
Output	5.0 A
Output USB Power Port	5.0VDC@0.5A
Weight	~2.11 lbs (0.95 kg)
Charging Temperature Range	32°F(0°C) to 113°F(45°C)

Operation

The **Snap-on** Cordless Impact Wrench is ideal for a wide variety of fastener turning jobs in both the industrial and automotive fields. When used with **Snap-on** impact sockets, it provides power and speed for greater job efficiency with less operator fatigue. The impact wrench also adds the freedom of movement not usually available with products requiring air hoses or electrical cords.

Application

Friction Ring Anvil

1. When installing an impact socket, place the forward/reverse bar in the center position to avoid accidental starting of the tool; or remove the battery pack.
2. Align the square of the socket with four flats at the end of the anvil.
3. Push the socket over the friction ring, until it comes to a stop.
4. To remove the impact socket, grip the socket firmly and slip off the anvil.

This type of anvil is suitable for exchanging sockets regularly, like in a garage environment.

Using the Speed Selector

The speed selector button is used to control the anvil speed, impact speed, and torque output.

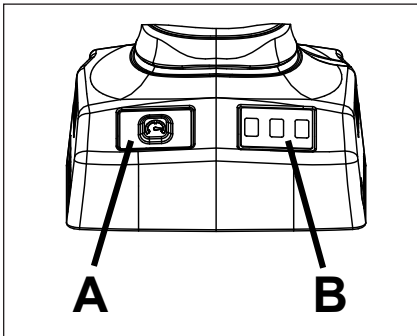


Figure 2: Speed Selector

The speed settings can be set independently for CCW (reverse) and CW (forward). This feature can be used to remove fasteners with full speed and reinstall them with improved control at a lower speed.

1. Pull and release trigger to activate tool. The current speed selection will be shown according to the speed selector chart shown below.
2. Push the speed selector to cycle through the three (3) speed modes. When the desired speed setting is lit, begin work.

SPEED SETTING	SPEED SELECTION DISPLAY	SPEED	IPM	TORQUE % *
1	● ○ ○	0-1000	0-2000	0-25%
2	● ● ○	0-1525	0-2850	0-50%
3	● ● ●	0-2050	0-3150	0-100%

* Effect on torque % obtained using a 3/8" hex bolt. Always use a torque wrench to verify torque.

LIGHT COLOR	DIRECTION
Green	CCW (reverse)
Red	CW (forward)

Forward/Reverse Switch

The forward/reverse switch determines the rotating direction of the anvil, either clockwise or counterclockwise.

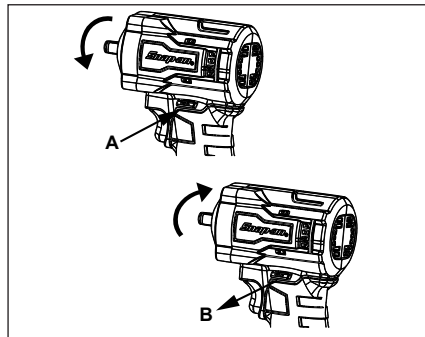


Figure 3: Forward/Reverse Switch

- A. Depress switch for reverse or counterclockwise rotation.
- B. Release switch for forward or clockwise rotation.

To change the direction of anvil rotation:

1. Be sure the impact wrench is stopped and not operating.
2. The position of the forward/reverse switch determines the direction of the anvil rotation. Switch positions, when tool is positioned as above, are:
 - Forward (B), the anvil rotates clockwise,
 - Reverse (A), the anvil rotates counterclockwise.
3. The switch must be in either the forward or the reverse position to operate. Center position locks the switch off.

Trigger

Depress the trigger to rotate the anvil. The lever must be in a forward or reverse position to operate. The trigger can be locked in the OFF position. Locking the trigger in the OFF position helps to reduce the possibility of accidental starting the impact wrench when not in use. Place the lever in the center position to lock the trigger. Lock the trigger when not in use.

Overloading

If the tool is overloaded for any reason that causes excessive heating of switch or battery, the internal electronics will cause the tool to stop working. This is a safety feature that will help to prevent overheating of the tool. Release the trigger to resume operation.

- Battery over temperature – indicated by all four LED lights flashing on the battery. This means the internal temperature of the battery is too high, and it will stop operation to prolong battery and tool life. The lights will continue to flash for four (4) minutes after each trigger pull until the temperature lowers to an acceptable level. Fan cooling can be used to speed battery or tool cooling.
- Tool over temperature – indicated by the illumination LED flashing. When the tool is used under heavy load continuously, the internal temperature of the switch may be reached, and the tool will temporarily stop working. Allow the tool to air cool to resume operation.

Battery Charging

1. Insert the power cord plug into the socket of the charger.
2. Plug the other end of cord plug into power source outlet.
3. Insert battery pack in the charger. Position the battery pack so that the battery sits flush with the top of the charger.
 - The green light will start flashing. This indicates the charger is charging the battery pack.
4. The fuel gauge on the battery pack will display the charge percentage % value status.
 - When the battery is 25% charged, one light will be solid green.

Battery Pack	CTC131A/CTCA131A/ CTCEU131A/CTCJ131A Charger
CTB185/CTB8187	~ 90 min
CTB1856	~ 100 min

5. When the fast charge is complete all (4) lights on the battery pack will be solid green indicating battery is fully charged and charger will indicate solid green light.

6. If the LED on the right hand side is flashing a yellow light then the battery pack is either hot or cold. The charger will not fast charge the battery if it is too hot or cold. The charger goes into a fast charge mode when the battery temperature is between 32°F (0°C) and 113°F (45°C).
7. If the LED on the right hand side is flashing a red light, the battery pack is faulty and the charger will not charge the battery.
8. When the fast charge is complete, battery voltage is detected by the charger and it automatically turns off to prevent an over-charge and all four lights on the battery fuel gage will be on and charger will indicate solid green light
9. The charger has one USB port, its output current is 0.5 A and output voltage is 5 VDC. Do not connect to an appliance requiring over 0.5 A.

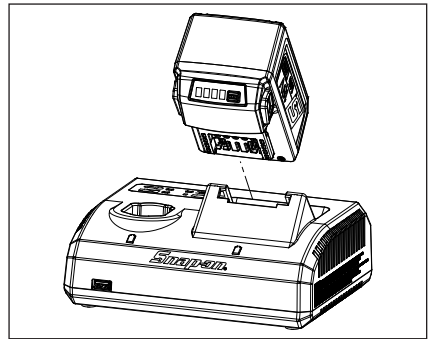


Figure 4: Inserting the Battery

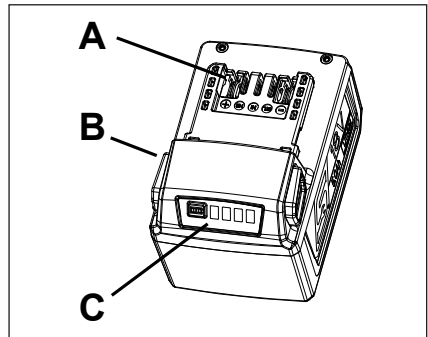


Figure 5: Battery Pack (CTB185/CTB1856)

- A. Terminal
- B. Latch Button
- C. Fuel Gauge

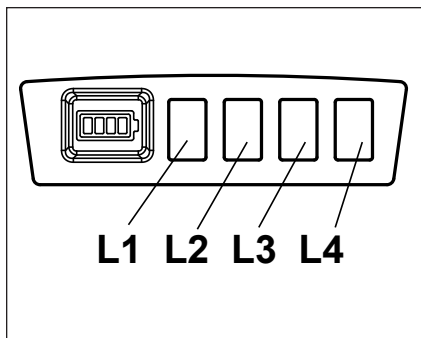


Figure 6: Fuel Gauge (CTB185/CTB1856)

- L1 - Solid Light 25% Charge
- L2 - Solid Light 50% Charge
- L3 - Solid Light 75% Charge
- L4 - Solid Light 100% Charge

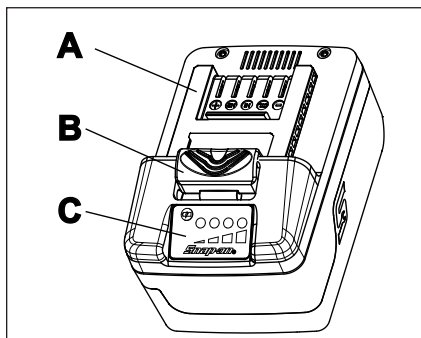


Figure 7: Battery Pack (CTB8187)

- A. Terminal
- B. Latch Button
- C. Fuel Gauge

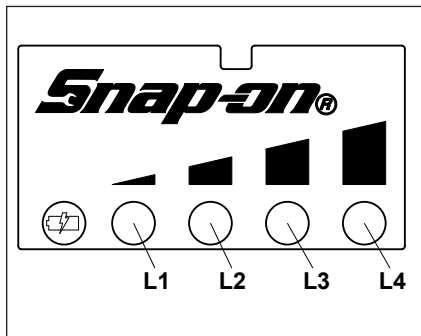


Figure 8: Fuel Gauge (CTB8187)

- L1 - Solid Light 25% Charge
- L2 - Solid Light 50% Charge
- L3 - Solid Light 75% Charge
- L4 - Solid Light 100% Charge

Battery Pack

Fuel Gauge

Press the fuel gauge button, the display lights will light up and show the battery pack's remaining capacity. The lights stay on for 5 seconds.

Note: If fuel gauge L1 is flashing, charge the battery pack.

Charge Cycle Counter

Press the fuel gauge button for ten (10) seconds to read the charge cycle counter.

Count number of flashes to figure out cycle count.

Example 1:

- L1 - Flashes one (1) time
- L2 - Flashes three (3) times
- L3 - Flashes four (4) times
- L4 - Flashes five (5) times

It means battery was charged 1,345 times

Example 2:

- L1 - No flashes
- L2 - Flashes six (6) times
- L3 - Flashes seven (7) times
- L4 - Flashes eight (8) times

It means battery was charged 678 times

Battery Pack Protection

To maximize performance and battery life, the Lithium-Ion battery's protection circuit monitors battery voltage, discharge amperage and temperature. When the battery voltage falls below the usable range, the battery will shut off, and the 1st LED will flash for ten (10) seconds. The battery needs charging. If the battery's discharge amperage limit is reached, due to excessive load, the protection circuit will shut down the tool. Tool operation can be resumed immediately.

Cold Weather Operation

The Lithium-Ion battery can be used in temperatures down to -4°F (-20°C). When the battery pack is very cold, run the tool at no load to warm battery and then use the tool normally.

Hot Weather Operation

If the Lithium-Ion battery temperature reaches 158°F (70°C), the protection circuit will turn off the battery and all four LED's will flash for four (4) minutes. Once the battery has cooled down below 149°F (65°C), the battery will resume normal operation.

Storage

Do not expose your battery pack to water or rain; this could damage the battery pack.

Fully charge the battery before placing it in storage. For optimum life, store the all Lithium-Ion batteries at room temperature away from moisture. Permanent capacity loss can result if batteries are stored for a long period at high temperature, over 120°F(49°C).

Maintenance

Service

Service of a tool requires extreme care and knowledge. Service should be performed only by a qualified service technician.

- Always check tool for damaged parts before use.
- Replace or repair damaged parts before use. Check alignment of moving parts. Binding of moving parts or broken parts may alter operation.
- Have damaged parts properly repaired or replaced by an Authorized Service Center.
- Do not use tool if switch does not turn it on and off.
- Maintain tools. Keep tools dry, clean and free of oil and grease for better and safer performance.
- For the location of the nearest **Snap-on** repair center, call **Snap-on** customer service at 1-877-762-7664.
(North America Only)
Northern Repair Center
3011 E Route 176
Crystal Lake IL 60014

(Outside North America)

Refer to Contact Information section on page 95

- When charging or discharging a lithium-ion battery over a short period of time, the internal temperature of the battery pack increases substantially. This is normal.
- Under ideal working conditions the useful life of a lithium-ion battery pack is around 1000 charge/discharge cycles. Improper care and maintenance shortens battery life and the amount of time the battery holds a charge.
- Use only with **Snap-on** charging equipment that specifies a CTB series battery pack.
- Avoid short circuiting the battery pack. Permanent damage to the pack can occur from high current discharge.



- **Unplug charger from outlet before starting the disassembly procedure.**
- **Remove the battery pack from the tool before starting the disassembly procedure. Short-circuiting the battery pack can cause fire or personal injury.**
- **Use safety equipment. Always wear eye protection.**



CT9035/CT9038

Draadloze moeraanzetter

Veiligheidsinstructies

Snap-on Tools Company biedt veiligheidsinstructies voor situaties die redelijkerwijs kunnen ontstaan tijdens gebruik, onderhoud of reparatie van draadloos gereedschap. Het is de verantwoordelijkheid van gebruikers en onderhoudsmonteurs om de procedures en het gebruikte gereedschap en de gebruikte materialen goed te kennen en om zelf te controleren of de procedures, het gereedschap en de materialen geen negatieve gevolgen zullen hebben voor hun eigen veiligheid, die van anderen in de werkomgeving en van het gereedschap.

Algemene veiligheidsaarschuwingen voor elektrisch gereedschap



Lees alle veiligheidsaarschuwingen, instructies en specificaties en bekijk alle illustraties die met dit elektrische gereedschap worden meegeleverd. Het niet opvolgen van de waarschuwingen en instructies kan een elektrische schok, brand en/of ernstig letsel veroorzaken.

BEWAAR ALLE WAARSCHU- WINGEN EN INSTRUCTIES VOOR TOEKOMSTIG GEBRUIK

De term "elektrisch gereedschap" in de waarschuwingen verwijst naar uw elektrisch gereedschap dat (via een snoer) door het net of (draadloos) door een accu van stroom wordt voorzien.

Veiligheid van de werkomgeving

- Houd de werkomgeving schoon en goed verlicht. Rommelige of donkere werkomgevingen nodigen uit tot ongevallen.
- Gebruik elektrisch gereedschap niet in een explosieve omgeving zoals in de buurt van brandbare vloeistoffen, gassen of stof. Bij het gebruik van elektrisch gereedschap ontstaan vonken die de stof of dampen kunnen ontsteken.
- Houd kinderen en omstanders uit de buurt tijdens het gebruik van elektrisch gereedschap. Door afleiding kunt u de controle verliezen.

Elektrische veiligheid

- De stekkers van elektrisch gereedschap moeten geschikt zijn voor het gebruikte stopcontact. Verander de stekker nooit. Gebruik geen adapterstekkers met geaard elektrisch gereedschap. Ongevizigde stekkers en bijpassende stopcontacten zullen het risico op een elektrische schok verminderen.
- Vermijd lichamelijk contact met geaarde oppervlakken zoals pijpen, radiators, fornuizen en koelkasten. Er bestaat een verhoogd risico op een elektrische schok als uw lichaam geaard is.
- Stel elektrisch gereedschap niet bloot aan regen of natte omstandigheden. Water dat elektrisch gereedschap binnendringt, verhoogt het risico op een elektrische schok.
- Misbruik het snoer niet. Gebruik het snoer nooit om het elektrische gereedschap te dragen, te trekken of uit het stopcontact te trekken. Houd het snoer uit de buurt van hitte, olie, scherpe randen en bewegende delen. Beschadigde of verstrikt geraakte snoeren verhogen het risico op een elektrische schok.
- Gebruik een verlengsnoer dat geschikt is voor gebruik buitenshuis als u elektrisch gereedschap buitenshuis gebruikt. Gebruik van een snoer dat geschikt is voor gebruik buitenshuis vermindert het risico op een elektrische schok.
- Als het gebruik van elektrisch gereedschap op een vochtige plaats niet kan worden vermeden, moet een stroomvoorziening worden gebruikt die is uitgerust met een AARDLEKSHAKELAAR. Gebruik van een aardlekschakelaar vermindert het risico op een elektrische schok.

AUSTRALIË/NIEUW-ZEELAND:

- Als het gebruik van elektrisch gereedschap op een vochtige plaats niet kan worden vermeden, moet een stroomvoorziening worden gebruikt die is uitgerust met een DIFFERENTIEELSHAKELAAR voor ten hoogste 30 mA. Gebruik van een differentieelschakelaar vermindert het risico op elektrocutie.

Persoonlijke veiligheid

- **Blijf alert, let op wat u doet en gebruik uw gezonde verstand tijdens het gebruik van elektrisch gereedschap.** Gebruik elektrisch gereedschap niet als u vermoeid bent of onder de invloed van geneesmiddelen, drugs of alcohol. *Een moment van onoplettendheid tijdens het gebruik van elektrisch gereedschap kan ernstig lichamelijk letsel veroorzaken.*
- **Gebruik persoonlijke beschermingsmiddelen. Draag altijd oogbescherming.** Beschermingsmiddelen zoals een stofmasker, veiligheidsschoenen met antislipzolen, helm of gehoorbescherming die in de juiste omstandigheden worden gebruikt, zullen de kans op lichamelijk letsel verminderen.
- **Voorkom onbedoeld starten. Zorg dat de schakelaar op UIT staat voordat u het gereedschap op de voeding en/of accu aansluit, oppakt of draagt.** U vraagt om ongelukken als u elektrisch gereedschap met uw vinger om de schakelaar draagt of als u elektrisch gereedschap met ingedrukte schakelaar in het stopcontact steekt.
- **Verwijder eventuele stel- of moersleutels voordat u het gereedschap inschakelt.** Een stel- of moersleutel die aan een ronddraaiend deel van het elektrische gereedschap vastzit, kan lichamelijk letsel veroorzaken.
- **Reik niet te ver. Zorg altijd voor het juiste houvast en evenwicht.** Dit zorgt voor een betere controle over het elektrische gereedschap in onverwachte situaties.
- **Draag de juiste kleding. Draag geen losse kleding of sieraden.** Houd haar, kleding en handschoenen uit de buurt van bewegende delen. *Losse kleding, sieraden en lang haar kunnen door bewegende delen worden gegrepen.*
- **Zorg dat eventueel meegeleverde accessoires voor de aansluiting van stofafvoer- en opvangsystemen worden aangesloten en goed worden gebruikt.** *Gebruik van een stofopvangsysteem kan gevaren door stof verminderen.*
- **Pas op dat u niet zelfgenoegzaam wordt en de veiligheidsprincipes voor het gebruik van gereedschappen negeert omdat u ze vaak gebruikt.** *Eén onvoorzichtige handeling kan binnen een oogwenk ernstig letsel veroorzaken.*

Gebruik en verzorging van elektrisch gereedschap

- **Forceer het elektrische gereedschap niet. Gebruik het juiste elektrische gereedschap voor de toepassing.** *Met het juiste elektrische gereedschap wordt het werk beter en veiliger uitgevoerd en met de snelheid waarvoor het werd ontworpen.*
- **Gebruik het elektrische gereedschap niet als het niet met de schakelaar kan worden in- en uitgeschakeld.** *Elektrisch gereedschap dat niet met de schakelaar kan worden bediend, is gevaarlijk en moet worden gerepareerd.*
- **Trek de stekker uit het stopcontact en/of verwijder de accu uit het elektrische gereedschap voordat u elektrisch gereedschap wijzigt, de accessoires ervan wijzigt, of het opstaat.** *Deze voorzorgsmaatregelen verminderen het risico dat het elektrische gereedschap per ongeluk wordt gestart.*

- **Bewaar ongebruikt elektrisch gereedschap uit de buurt van kinderen en geef personen die niet vertrouwd zijn met het elektrische gereedschap of deze gebruiksaanwijzing geen toestemming om het elektrische gereedschap te gebruiken.** *Elektrisch gereedschap is gevaarlijk in de handen van ongeschoolde gebruikers.*
- **Onderhoud elektrisch gereedschap en accessoires.** Controleer elektrisch gereedschap op verkeerd uitgelijnde of vastzittende bewegende delen, gebroken delen en elke andere toestand die negatieve gevolgen kan hebben voor de werking van het elektrische gereedschap. Laat beschadigd elektrisch gereedschap vóór gebruik repareren. Veel ongevallen worden veroorzaakt door slecht onderhouden elektrisch gereedschap.
- **Houd snijgereedschap scherp en schoon.** *Goed onderhouden snijgereedschap met scherpe snijranden komt minder snel vast te zitten en is gemakkelijker te gebruiken.*
- **Gebruik het elektrische gereedschap en de accessoires en hulpmiddelen zoals boortjes enz. volgens deze gebruiksaanwijzing en houd daarbij rekening met de werkomstandigheden en het uit te voeren werk.** *Als het elektrische gereedschap niet voor het beoogde doel wordt gebruikt, zou een gevaarlijke situatie kunnen ontstaan.*
- **Houd grepen en grijpvlakken droog, schoon en vrij van olie en vet.** *Gladde grepen en grijpvlakken zullen het veilig gebruiken en beheersen van het gereedschap in onverwachte situaties belemmeren.*

Gebruik en verzorging van accugereedschap

- **Laad het gereedschap alleen op met de door de fabrikant voorgeschreven lader.** *Een lader die geschikt is voor één type accu kan brandgevaar veroorzaken als hij met een andere accu wordt gebruikt.*
- **Gebruik elektrisch gereedschap alleen met de specifiek daarvoor bestemde accu's.** *Gebruik van een andere accu kan letsel of brand veroorzaken.*
- **Houd ongebruikte accu's uit de buurt van andere metalen voorwerpen zoals paperclips, munten, sleutels, spijkers, schroeven en andere kleine metalen voorwerpen die de polen met elkaar zouden kunnen verbinden.** *Kortsluiting van de accupolen kan brandwonden of brand veroorzaken.*
- **Bij misbruik kan er vloeistof uit de accu spuiten; vermijd contact hiermee.** *Indien er per ongeluk toch contact plaatsvindt, moet onmiddellijk met water worden gespoeld. Als de vloeistof in de ogen komt, moet ook een arts worden geraadpleegd. Vloeistof die uit de accu spuit, kan irritatie of brandwonden veroorzaken.*
- **Gebruik de accu of het gereedschap niet als ze beschadigd of gewijzigd zijn.** *Beschadigde of gewijzigde accu's kunnen op onvoorspelbare wijze reageren en brand, explosies of letsel veroorzaken.*
- **Stel accu's en gereedschappen niet bloot aan open vuur of zeer hoge temperaturen.** *Blootstelling aan open vuur of temperaturen boven 130 °C kan een explosie veroorzaken.*

- **Volg alle instructies voor het opladen en laad de accu of het gereedschap niet op buiten het in de instructies vermelde temperatuurbereik.** *Als de accu niet correct of bij temperaturen buiten het opgegeven bereik wordt opgeladen, kan hij beschadigd raken en ontstaat er brandgevaar.*

Reparatie

- **Laat uw elektrische gereedschap repareren door een gekwalificeerde reparatiemonteur en gebruik alleen identieke reserveonderdelen.** *Daardoor blijft de veiligheid van het elektrische gereedschap behouden.*
- **Repareer beschadigde accu's niet.** *Het onderhoud van accu's mag alleen door de fabrikant of erkende serviceaanbieders geschieden.*

Specifieke veiligheidsvoorschriften

- **Houd elektrisch gereedschap vast bij de geïsoleerde oppervlakken tijdens het uitvoeren van werkzaamheden waarbij het bevestigingsmiddel in aanraking kan komen met verborgen bedrading.** *Als bevestigingsmiddelen contact maken met een onder spanning staande draad, kunnen blootgestelde metalen delen van het elektrische gereedschap onder spanning komen te staan en een elektrische schok bij de gebruiker veroorzaken.*

Voorschriften voor draadloze moeraanzetter



Elektrisch gereedschap en accessoires kunnen door onjuist gebruik defect raken.

- **Lees de gebruiksaanwijzing voordat u elektrisch gereedschap bedient.**
- **Zorg dat deze gebruiksaanwijzing bij het gereedschap blijft wanneer dit door de ene gebruiker aan een nieuwe of onervaren gebruiker wordt gegeven.**
- **Verwijder geen etiketten.** *Vervang alle beschadigde etiketten.*

Defect gereedschap kan letsel veroorzaken.



- **Draadloze gereedschappen kunnen vonken afgeven.**
- **Smeer het gereedschap niet met ontvlambare of vluchtige vloeistoffen zoals kerosine, benzine, diesel en vliegtuigbrandstof.**

Niet gebruiken in een explosiegevaarlijke omgeving.



Besmettingsgevaar door gevaarlijk stof.

- **Draag een goedgekeurd stofmasker of ademhalingsapparaat bij gebruik van elektrisch gereedschap dat stof produceert.**

Inademen van gevaarlijke stof kan letsel veroorzaken.



Elektrisch gereedschap kan tijdens het gebruik rondvliegende deeltjes veroorzaken.

- **Draag een veiligheidsbril, dit geldt zowel voor gebruiker als omstanders.**

Rondvliegende deeltjes kunnen letsel veroorzaken.



Elektrisch gereedschap maakt lawaai.

- **Draag gehoorbescherming, dit geldt zowel voor gebruiker als omstanders.**

Langdurige blootstelling aan lawaai kan leiden tot gehoorverlies.



Elektrisch gereedschap trilt.

- **Vermijd langdurige blootstelling aan trilling, herhaalde bewegingen en ongemakkelijke houdingen.**
- **Staaft het gebruik van het gereedschap als u ongemak, een tintelend gevoel of pijn ondervindt. Raadpleeg een arts voordat u het gereedschap weer gebruikt.**
- **Gebruik het gereedschap niet als het te veel trilt, ongewone geluiden maakt, losse onderdelen heeft of andere tekenen van beschadiging vertoont.**
- **Als het gereedschap niet goed werkt, staak dan het gebruik en laat het onmiddellijk repareren.**

Langdurige blootstelling aan trilling, herhaalde bewegingen en ongemakkelijke houdingen kunnen letsel veroorzaken.

Er kunnen plotselinge veranderingen van beweging of positie ontstaan tijdens het gebruik van het gereedschap.

- **Anticipeer en wees alert op bewegingsveranderingen tijdens starten en gebruik.**
- **Houd het gereedschap goed vast.**
- **Anticipeer op reactiekrachten. Pas uw houding aan en houd het gereedschap stevig vast.**
- **Kijk naar de stand van het omkeermecanisme voordat u het gereedschap gebruikt en wees u bewust van de draairichting als u de bedieningsknop indrukt.**

Plotselinge veranderingen van beweging en positie kunnen letsel veroorzaken.



Gevaar van verstrikking.

- Houd lichaamsdelen uit de buurt van ronddraaiende delen.
- Draag haarbescherming om lang haar weg te stoppen.
- Houd het handvat droog, schoon en vrij van olie en vet.
- Vergrendel en zet de bedieningsknop niet met tape, draad enz. vast in de AAN-stand.
- Verwijder de accu voordat u accessoires verwisselt.

Verstrikking kan letsel veroorzaken.

! WAARSCHUWING

- Gebruik alleen slagdoppen en -accessoires bij deze moeraanzetters. Door gebruik van handmatige of elektrische doppen kan de dop vroegtijdig falen en kan de gebruiker gewond raken. Gebruik geen gebroken, gearsten of beschadigde doppen en accessoires.
- De CT9035/CT9038 heeft een stalen borging voor het vastzetten van de doppen. De ring houdt de dop door wrijving op zijn plaats. De ring zal soms misschien moeten worden vervangen als de borging van de dop afneemt.
- Gebruik alleen flexibele doppen met kogelgewrichten. Gebruik van vierkante, blokvormige flexibele doppen kan letsel veroorzaken omdat deze niet voor gebruik als slaggereedschap zijn ontworpen.
- Houd de moeraanzetter bij het gebruik van verlengstukken zo vast dat de dop recht op het bevestigingsmiddel past.
- Gebruik klemmen of andere praktische hulpmiddelen om het werkstuk te ondersteunen en aan een stabiel platform vast te maken.

Door het werkstuk met uw hand of tegen uw lichaam vast te houden houdt, verliest u de stabiliteit en kunt u de controle verliezen.

Veiligheidsinstructies voor de accu

! WAARSCHUWING



Explosie- of brandgevaar.

- Bewaar het gereedschap en de accu niet op plaatsen waar de temperatuur 49 °C (120 °F) kan worden of overschrijden.
- CTC131A/CTCA131A/CTCEU131A/CTCJ131A laders laden de accu niet op wanneer de temperatuur lager is dan 0 °C (32 °F) of hoger dan 45 °C (113 °F).

- Verbrand de accu niet, zelfs als deze ernstig beschadigd of helemaal ontladen is. De accu kan in het vuur exploderen.
- Plak stevig plakband op de accupolen nadat u de accu hebt verwijderd.
- Probeer niet om de accu te vernietigen of te demonteren of onderdelen ervan te verwijderen.
- Laad de accu niet met een motorgenerator of gelijkstroomvoeding.
- Laad de accu altijd in een goed geventileerde ruimte.

Explosie of vlammen kunnen letsel veroorzaken.



Risico op een elektrische schok.

- Demonteer de accu niet.
- Sluit de accu niet kort.
- Laad de accu alleen met Snap-on laders voor de aangegeven accu's.
- Koppel de accu los als u deze niet gebruikt, vóór onderhoud en/of reparatie en bij het verwisselen van accessoires.
- Laad de accu niet met een motorgenerator of gelijkstroomvoeding.

Een elektrische schok of brand kan letsel veroorzaken.



Risico op brandwonden.

- De accu kan lekken bij extreem gebruik of extreme temperaturen.
- Bij misbruik kan er vloeistof uit de accu spuiten; vermijd contact hiermee. Indien er per ongeluk toch contact plaatsvindt, moet onmiddellijk met water worden gespoeld. Als de vloeistof in de ogen komt, moet ook een arts worden geraadpleegd.

Vloeistof die uit de accu spuit, kan irritatie of brandwonden veroorzaken.

- Zorg dat de schakelaar op UIT staat voordat u de accu bevestigt.

U vraagt om ongelukken als u de accu in elektrisch gereedschap met ingedrukte schakelaar steekt.

- Als de accu niet wordt gebruikt, mag deze niet in een kledingzak worden gestoken.

Een lekkende accu of vonken kunnen brand of brandwonden veroorzaken.



Risico op kortsluiting en brand.

- Sluit de accu niet kort.
- Raak de polen niet aan met geleidend materiaal.
- Bewaar accu's niet met geleidende materialen zoals spijkers, schroeven, munten en andere metalen voorwerpen.
- Draag een accu niet in schorten of zakken die geleidende voorwerpen bevatten.

Kortsluiting kan brand en ernstige brandwonden veroorzaken.

Veiligheidsvoorschriften voor de afvoer van accu's



De **RBRC™**-sticker op de lithiumionaccu in dit product geeft aan dat **Snap-on** vrijwillig deelneemt aan een branchebreed programma voor het verzamelen en recyclen van deze accu's aan het einde van hun levensduur.

NL	When battery has reached end of life, please take it to your franchisee or a local battery recycler in accordance with local regulations. Customer Service Number: +31 20 5682664 Email: industrial.nl@snapon.com
NL	Breng de accu als deze het einde van zijn levensduur heeft bereikt naar uw franchisenemer of een plaatselijk kringloopcentrum voor accu's volgens de plaatselijke regels. Nummer klantenservice: +31 20 5682664 E-mailadres: industrial.nl@snapon.com

De deelname van **Snap-on** aan dit programma is onderdeel van haar streven naar bescherming van ons milieu en behoud van onze natuurlijke rijkdommen.

FCC-regels



Dit apparaat voldoet aan deel 15, subsectie B van de FCC-regels. Bedrijf vindt plaats op de twee volgende voorwaarden:

1. Dit apparaat mag geen schadelijke interferentie veroorzaken, en
2. Dit apparaat moet alle ontvangen interferentie aanvaarden, inclusief interferentie die een ongewenste werking zou kunnen veroorzaken.



Explosie- of brandgevaar.

- Gooi gebruikte accu's niet weg! Stuur uw accu terug naar een door **Snap-on** erkend reparatiecentrum voor recycling.

Explosie of vlammen kunnen letsel veroorzaken.



Brandgevaar.

- Probeer niet om de accu te demonteren of een onderdeel te verwijderen dat uit de accupolen steekt.
- Plak vóór de recycling stevig isolatietape op de blootliggende polen om kortsluiting te voorkomen.

Brand kan letsel veroorzaken.

Veiligheidsinstructies voor de acculader



Risico op een elektrische schok en brand.

- Steek de accu niet in de lader als de behuizing gebarsten of beschadigd is.

Een elektrische schok of brand kan letsel veroorzaken.

- Om het risico op een elektrische schok te verminderen, heeft dit netsnoer (geschikt voor de VS) een gepoolde stekker (de ene platte pen is breder dan de andere). Deze stekker past slechts op één manier in een gepoold stopcontact. Als de stekker niet helemaal in het stopcontact past, moet u de stekker omdraaien; als de stekker dan nog steeds niet past, moet u contact opnemen met een gekwalificeerde elektricien om het juiste stopcontact te laten installeren. Verander de stekker nooit.
- Gebruik de CTC131A/CTCA131A/CTCEU131A/CTCJ131A laders alleen bij de CTB8185BK/CTB8187/CTB8172BK/CTB8174/CTB185/CTB1856 oplaadbare accu's. Bij het laden van andere soorten accu's kunnen de accu's barsten, waardoor lichamelijk letsel en materiële schade wordt veroorzaakt.
- Bij misbruik kan er vloeistof uit de accu spuiten; vermijd contact hiermee. Indien er per ongeluk toch contact plaatsvindt, moet onmiddellijk met water worden gespoeld. Als de vloeistof in de ogen komt, moet ook een arts worden geraadpleegd.

Vloeistof die uit de accu spuit, kan irritatie of brandwonden veroorzaken.

- Probeer nooit twee laders op elkaar aan te sluiten.
- Stel de lader niet bloot aan regen of sneeuw.
- Trek de lader aan de stekker uit het stopcontact, niet aan het snoer.
- Zorg dat men niet op het snoer trapt of erover struikelt en dat het snoer niet beschadigd of overbelast wordt.



Explosiegevaar.

- **Draag een veiligheidsbril, dit geldt zowel voor gebruiker als omstanders.**

Explosie kan oogletsel veroorzaken.



Elektrisch gereedschap en accessoires kunnen door onjuist gebruik defect raken.

- **Lees alle instructies en waarschuwingen op de lader, de accu en het product waarvoor de accu wordt gebruikt voordat u de lader gebruikt.**

Defect gereedschap kan letsel veroorzaken.

BELANGRIJKE VEILIGHEIDS- INSTRUCTIES



Risico op een elektrische schok en brand.

GEVAAR—OM HET RISICO OP BRAND OF EEN ELEKTRISCHE SCHOK TE VERMINDEREN, MOETEN DEZE INSTRUCTIES ZORGVULDIG WORDEN OPGEVOLGD.

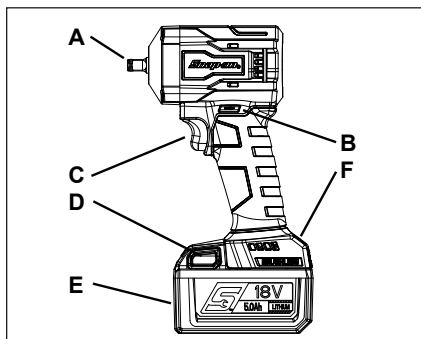
- Deze handleiding bevat belangrijke veiligheids- en bedieningsinstructies voor de Snap-on CTC131A/CTCA131A/CTCEU131A/CTCJ131A lader.
- Lees alle instructies en waarschuwingen op de acculader, de accu en het product waarvoor de accu wordt gebruikt voordat u de lader gebruikt.
- VOORZICHTIG**—Om het risico van letsel te verminderen, mogen uitsluitend oplaadbare accu's van het type CTB8185BK/CTB8187/CTB8172BK/CTB8174/CTB185/CTB1856 worden opgeladen. Andere soorten accu's kunnen barsten en dan lichamenlijk letsel en materiële schade veroorzaken.
- Stel de lader niet bloot aan regen, vocht of sneeuw.
- Gebruik van een hulpstuk dat door de fabrikant van de acculader niet wordt aanbevolen of verkocht, kan brand, een elektrische schok of lichamenlijk letsel veroorzaken.
- Om het risico op beschadiging van het snoer te verminderen, moet u de lader aan de stekker in plaats van aan het snoer uit het stopcontact trekken.
- Leg het snoer zo dat er niet op getrapt of over gestruikeld kan worden, en dat het beschermd is tegen schade en belasting.
- Gebruik de lader niet als het snoer beschadigd is - vervang hem in dat geval onmiddellijk.
 - Het netsnoer van de CTC131A/CTCA131A/CTCEU131A/CTCJ131A moet worden vervangen door een identiek **Snap-on** netsnoer
- Gebruik de lader niet als deze een flinke klap heeft gekregen, als hij is gevallen of anderszins is beschadigd; breng hem naar een gekwalificeerde onderhoudsmonteur.
- Demonteer de lader niet; breng hem naar een gekwalificeerde onderhoudsmonteur als onderhoud of reparatie noodzakelijk is. Verkeerde hermontage kan brand of een elektrische schok veroorzaken.
- Om het risico op een elektrische schok te verminderen, moet u de lader uit het stopcontact trekken voordat u deze probeert te onderhouden of te reinigen. Dit risico wordt niet verminderd door het uitschakelen van de bedieningselementen.
- De lader is niet bestemd voor gebruik door personen (inclusief kinderen) met verminderde lichamenlijke, sensorische of geestelijke vermogens, of gebrek aan ervaring en kennis, tenzij zij onder toezicht staan of instructies hebben ontvangen over het gebruik van de lader door een persoon die verantwoordelijk is voor hun veiligheid.
- Op kinderen moet toezicht worden gehouden om te voorkomen dat ze met het apparaat spelen.
- Laad geen niet-oplaadbare accu's (batterijen).
- Probeer nooit twee laders op elkaar aan te sluiten.
- Laat uw lader repareren door een gekwalificeerde reparatiemonteur en gebruik alleen identieke reserveonderdelen. Daardoor blijft de veiligheid van de lader behouden.
- Bel de klantenservice van **Snap-on** op nummer 1-877-762-7664 (binnen de VS) voor uw dichtstbijzijnde **Snap-on** reparatiecentrum.
- Om het risico op ontploffing van de accu te verminderen, moeten deze instructies en die op de accu worden opgevolgd.
- Rook nooit en sta geen open vonk of vuur toe in de buurt van de accu of motor.
- Laad nooit een bevroren accu.
- Gebruik de lader niet in een omsloten ruimte en beperk de ventilatie op geen enkele manier.
- Gebruik geen verlengsnoer, tenzij dit absoluut noodzakelijk is. Als er een verlengsnoer moet worden gebruikt, zorg dan:
 - dat de stekker van het verlengsnoer hetzelfde aantal, dezelfde maat en dezelfde vorm pennen heeft als de stekker van de lader;
 - dat het verlengsnoer goed bedraad is en in een goede elektrische staat verkeert; en
 - dat de draadmaat voldoende is voor het nominale vermogen van de lader (zie hieronder).

100-120 V lader Snoerlengte (feet)	Draadmaat (AWG)
25	18
50	18
100	18
220-240 V lader Snoerlengte (meter)	Draadmaat (mm)
50	0,75
75	1,0

Aanbevolen lengte van verlengsnoer

BEWAAR DEZE GEBRUIKS- AANWIJZING

Funcatiebeschrijving



Afbeelding 1: Draadloze moeraanzetter

- A. Aambeeld met wrijvingsring
- B. Voorruit-/achteruitpal
- C. Trekker
- D. Ontgrendelknop
- E. Accu
- F. Vermogensinstellingen

Specificaties

Specificaties van de moeraanzetter

Maat vierkante aandrijving	CT9035.....1/2 inch (13 mm)
CT9038.....	3/8 inch (10 mm)
Aanhaalkoppel.....	370 N•m
Boutafbreekkoppel.....	712 N•m
Vrij toerental	2050 tpm
Slagen per minuut	3300 spm
Motorspanning	18,0 VDC
Gewicht met accu (lithiumion)	2,0 kg

Lawaai* (Getest volgens EN 62841)

CT9035	93,8 dB
Geluidsdruk-niveau (A)		0,84 dB
Onzekerheid, K		105,4 dB
Geluidsvermogensniveau (A)		0,84 dB
Onzekerheid, K		

CT9038

Geluidsdruk-niveau (A)		95,3 dB
Onzekerheid, K		0,45 dB
Geluidsvermogensniveau (A)		106,9 dB
Onzekerheid, K		0,45 dB

Trilling* (Getest volgens EN 62841)

CT9035	4,91 m/s ²
Trillingsniveau		0,71 m/s ²
Onzekerheid, K		

CT9038

Trillingsniveau		6,62 m/s ²
Onzekerheid, K		1,37 m/s ²









* NB: De hier vermelde totale waarde(n) voor trilling en vermelde waarde(n) voor geluidsemis-sie zijn gemeten volgens een standaard testmethode en kunnen worden gebruikt om verschillende gereedschappen met elkaar te vergelijken. De vermelde totale waarde(n) voor trilling en vermelde waarde(n) voor geluidsemis-sie kunnen ook worden gebruikt voor een preliminaire beoordeling van de blootstelling.

! WAARSCHUWING

De trillings- en geluidsemis-sie tijdens daadwerkelijk gebruik van het gereedschap kunnen afwijken van de vermelde waarden, afhankelijk van de manier waarop het gereedschap wordt gebruikt en met name van het betreffende werkstuk. Bepaal veiligheidsmaatregelen ter bescherming van de operator die zijn gebaseerd op een schatting van de blootstelling in daadwerkelijke gebruikssituaties (rekening houdend met alle elementen van de bedrijfs-cyclus, zoals perioden waarin het gereedschap is uitgeschakeld of waarin het stationair draait naast de geactiveerde periode).

Snap-on aanvaardt geen aansprakelijkheid voor de gevolgen van het gebruik van de opgegeven waarden, in plaats van waarden die de werkelijke blootstelling weergeven, zoals bepaald in een individuele risicobeoordeling in een werksituatie waarover wij geen controle hebben.

Symbolen

SYMBOLEN	
	RAADPLEEG INSTRUCTIE-HANDLEIDING/HANDBOEK
	DRAAG OOGBESCHERMING
	DRAAG GEHOORBESCHERMING
	TRILLINGSGEVAAR
V	VOLT
---	GELIJKSTROOM
n_p xxx/min	ONBELAST TOERENTAL
CE	CE-MARKERING
	VERENIGDE STATEN – CANADA UL SOLUTIONS
C UL US	VERENIGDE STATEN – CANADA UL SOLUTIONS
FCC	FCC FEDERAL COMMUNICATIONS COMMISSION
	JAPAN ELECTRICAL SAFETY TÜV RHEINLAND
	DUBBEL GEÏSOLEERD
BFP	BESCHERMING TEGEN TERUGVOEDING
	RECYCLE ACCU OP DE JUISTE MANIER

	NIET MET DE AFVAL MEEGEVEN
BC	VOLDOET AAN EISEN VAN TITLE 20 (CALIFORNIË)
UK CA	UKCA (UK CONFORMITY ASSESSED) MARKERING
	RCM (REGULATORY COMPLIANCE MARK)

Specificaties accu

	CTB185/ CTB8187	CTB1856
Soort	Lithiumion	Lithiumion
Spanning	18 VDC (3,6 V x 5 celparen)	18 VDC (3,6 V x 5 celparen)
Gewicht	~0,68 kg (1,5 lbs)	~0,68 kg (1,5 lbs)
Laadtijd	zie sectie acculader	
Levensduur	1000 cycli (1 cyclus = 1 x laden en 1 x ontladen)	
Capaciteit	5,0 Ah	5,6 Ah
Temperatuurbereik ontladen	-20 °C (-4 °F) tot 60 °C (140 °F)	

Specificaties acculader

	CTC131A/CTCA131A/ CTCEU131A/CTCJ131A
Ingang	100-240V, 50/60 Hz
Uitgang	5,0 A
Uitgang USB-poort	5,0 VDC @ 0,5 A
Gewicht	~0,95 kg (~2,11 lbs)
Temperatuurbereik laden	0 °C (32 °F) tot 45 °C (113 °F)

Bediening

De **Snap-on** draadloze moeraanzetter is ideaal voor het vastdraaien van vele verschillende bevestigingsmaterialen in zowel de industrie als de automobielbranche. Bij gebruik in combinatie met de **Snap-on** slagdoppen biedt de moeraanzetter het juiste vermogen en toerental om werkzaamheden efficiënter uit te voeren met minder vermoeidheid voor de gebruiker. De moeraanzetter biedt ook meer bewegingsvrijheid dan normaal gebruikelijk is bij producten met luchtslangen of elektrische snoeren.

Toepassing

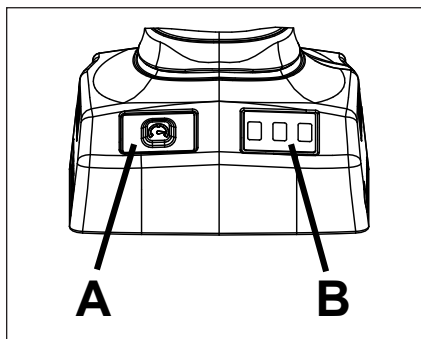
Aambeeld met wrijvingsring

1. Voordat u een slagdop installeert, moet u de vooruit-/achteruitpal in de middelste stand zetten om te voorkomen dat het gereedschap per ongeluk start, of moet u de accu verwijderen.
2. Lijn de vierkante dop uit met de vier platte kanten aan het eind van het aambeeld.
3. Duw de dop helemaal over de wrijvingsring.
4. Om de slagdop te verwijderen, pakt u de dop stevig vast en schuift u deze van het aambeeld af.

Dit type aambeeld is geschikt voor het regelmatig verwisselen van doppen, zoals in een garage.

Gebruik van de snelheidsinstelknop

De snelheidsinstelknop wordt gebruikt om de snelheid van de beitel, de slagsnelheid en het uitgangskoppel te regelen.



Afbeelding 2: Snelheidsinstelknop

De toerentallen voor rotatie linksom (CCW) en rechtsom (CW) kunnen afzonderlijk ingesteld worden. Zo kunt u bevestigingsmateriaal op vol toerental verwijderen en dit weer installeren met betere beheersing bij een lager toerental.

1. Druk de bedieningsknop in en laat hem los om het gereedschap in te schakelen. De op dat moment geselecteerde snelheid wordt weergegeven volgens onderstaand snelheidsselectieschema.

2. Druk op de snelheidsinstelknop om door de drie (3) snelheidsstanden te lopen. Als het lampje voor de gewenste snelheidsinstelling brandt, kunt u het gereedschap gaan gebruiken.

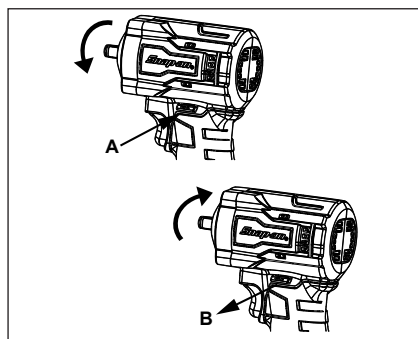
INSTELLING	SNELHEIDS-SELECTIE WEERGAVE	SNELHEID	SLAGEN/MIN	KOPPEL % *
1	● ○ ○	0-1000	0-2000	0-25%
2	● ● ○	0-1525	0-2850	0-50%
3	● ● ●	0-2050	0-3150	0-100%

* Effect op koppel % verkregen met 3/8 inch zeskantbout. Gebruik altijd een momentsleutel om het koppel te controleren.

KLEUR LAMPJE	RICHTING
Groen	CCW (Linksom)
Rood	CW (Rechtsom)

Vooruit-/achteruitknop

De vooruit/achteruitknop bepaalt de draairichting van het aambeeld: rechtsom of linksom.



Afbeelding 3: Vooruit-/achteruitknop

- A. Druk de knop in voor achteruit of linksom draaien.
- B. Laat de knop los voor vooruit of rechtsom draaien.

De draairichting van het aambeeld veranderen:

1. Zorg dat de moeraanzetter stilstaat en niet werkt.
2. De stand van de vooruit-/achteruitknop bepaalt de draairichting van het aambeeld. De knopstanden, wanneer het gereedschap zoals hierboven weergegeven wordt vastgehouden, zijn:
 - Vooruit (B), het aambeeld draait rechtsom;
 - Achteruit (A), het aambeeld draait linksom.
3. De knop moet in vooruit of achteruit staan om te werken. In de middelste stand is de knop vergrendeld.

Bedieningsknop

Druk de bedieningsknop in om het aambeeld te laten draaien. De bedieningsknop moet in vooruit of achter staan om te werken. De bedieningsknop kan in UIT worden vergrendeld. Door de bedieningsknop in UIT te vergrendelen, kunt u voorkomen dat de moeraanzetter per ongeluk wordt gestart als hij niet wordt gebruikt. Zet de knop in de middelste stand om de bedieningsknop te vergrendelen. Vergrendel de bedieningsknop als u het gereedschap niet gebruikt.

Overbelasting

Als het gereedschap om de een of andere reden overbelast is waardoor de bedieningsknop of accu te warm wordt, wordt het gereedschap door de inwendige elektronica uitgeschakeld. Dit is een veiligheidsvoorziening die oververhitting van het gereedschap helpt te voorkomen. Laat de bedieningsknop los om weer door te gaan.

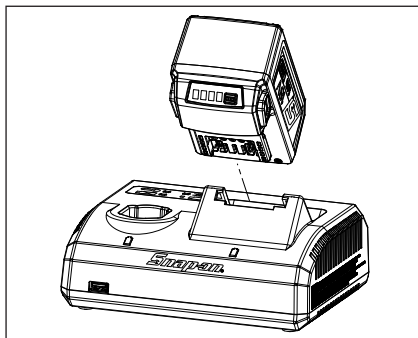
- Te hoge accu-temperatuur – alle vier LED's knipperen op de accu. Dit betekent dat de inwendige temperatuur van de accu te hoog is: de accu stopt met werken om de levensduur van de accu te verlengen. De LED's blijven gedurende vier (4) minuten knipperen telkens als de bedieningsknop wordt ingedrukt totdat de temperatuur is gedaald naar een aanvaardbaar niveau. De accu of het gereedschap kan met een ventilator sneller worden afgekoeld.
- Te hoge temperatuur van het gereedschap – de LED knippert. Als het gereedschap continu zwaar wordt belast, kan de maximale inwendige temperatuur van de bedieningsknop worden bereikt en stopt het gereedschap tijdelijk met werken. Laat het gereedschap aan de lucht afkoelen totdat u het weer kunt gebruiken.

Accu laden

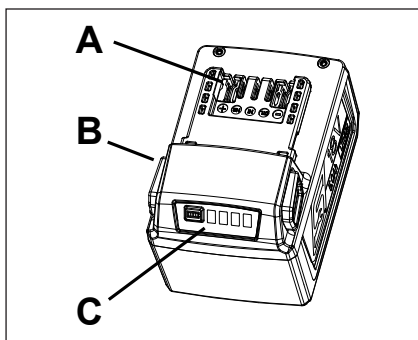
1. Steek de stekker van het netsnoer in het stopcontact van de lader.
2. Steek het andere uiteinde van de netsnoerstekker in het stopcontact.
3. Plaats de accu in de lader. Plaats de accu zodanig dat de accu op één lijn ligt met de bovenkant van de lader.
 - Het groene lampje begint te knipperen. Dit geeft aan dat de lader de accu laadt.
4. De brandstofmeter op de accu geeft de status van het laadpercentage% weer.
 - Als de accu 25% is geladen, gaat één groen lampje branden.

Accu	CTC131A/CTCA131A/ CTCEU131A/CTCJ131A lader
CTB185/CTB8187	~ 90 min
CTB1856	~ 100 min

5. Als het snel laden is voltooid, branden alle (4) groen lampjes op de accu, wat betekent dat de accu volledig is geladen, en het groene lampje op de lader brandt.
6. Als de gele LED aan de rechterkant knippert, is de accu te heet of te koud. De lader kan een accu niet snel opladen als deze te heet of te koud is. De lader schakelt over over naar de snelle laadmodus wanneer de accu-temperatuur tussen 0 °C (32 °F) en 45 °C (113 °F) ligt.
7. Als de rode LED aan de rechterkant brandt, is de accu defect en zal de lader de accu niet opladen.
8. Na afloop van het snel opladen, wordt de accuspanning door de lader gedetecteerd. De lader wordt automatisch uitgeschakeld om te voorkomen dat de accu te veel wordt geladen en alle vier lampjes van de oplaadmeter en het groene lampje op de lader branden.
9. De lader heeft één USB-poort met een uitgangsstroom van 0,5 A en een uitgangsspanning van 5 VDC. Sluit de lader niet aan op een apparaat dat meer dan 0,5 A nodig heeft.

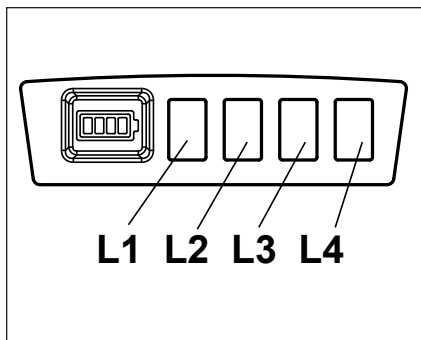


Afbeelding 4: Plaatsen van de accu



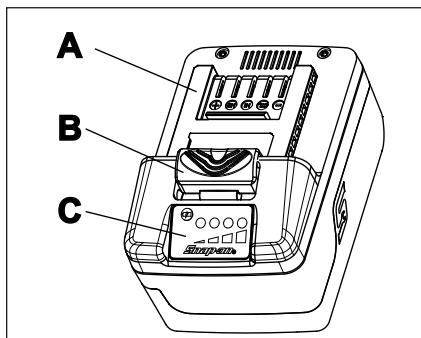
Afbeelding 5: Accu (CTB185/CTB1856)

- A. Pool
- B. Vergrendelknop
- C. Oplaadmeter



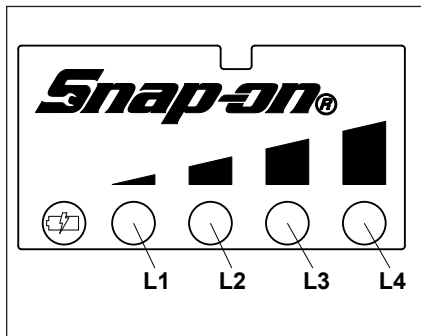
Atbeelding 6: Oplaadmeter (CTB185/CTB1856)

- L1 - Lampje brandt: 25% geladen
- L2 - Lampje brandt: 50% geladen
- L3 - Lampje brandt: 75% geladen
- L4 - Lampje brandt: 100% geladen



Atbeelding 7: Accu (CTB8187)

- A. Pool
- B. Vergrendelknop
- C. Oplaadmeter



Atbeelding 8: Oplaadmeter (CTB8187)

- L1 - Lampje brandt: 25% geladen
- L2 - Lampje brandt: 50% geladen
- L3 - Lampje brandt: 75% geladen
- L4 - Lampje brandt: 100% geladen

Accu

Oplaadmeter

Als u op de oplaadmeterknop drukt, gaan de lampjes branden en ziet u de resterende gebruiksduur van de accu. De lampjes blijven 5 seconden lang branden.

NB: Als het lampje L1 op de oplaadmeter knippert, moet de accu worden opgeladen.

Laadcyclusteller

Druk de oplaadmeterknop tien (10) seconden lang in om de stand van de laadcyclusteller te bekijken.

Tel het aantal keren dat de lampjes knipperen om te zien hoe vaak de accu is opgeladen.

Voorbeeld 1:

- L1 - knippert één (1) keer
- L2 - knippert drie (3) keer
- L3 - knippert vier (4) keer
- L4 - knippert vijf (5) keer

Dit betekent dat de accu 1345 keer is opgeladen.

Voorbeeld 2:

- L1 - knippert niet
- L2 - knippert zes (6) keer
- L3 - knippert zeven (7) keer
- L4 - knippert acht (8) keer

Dit betekent dat de accu 678 keer is opgeladen.

Accubeveiliging

Voor een optimale prestatie en gebruiksduur van de accu controleert het beveiligingscircuit van de lithiumionaccu de accuspanning, ontladstroom en temperatuur. Wanneer de batterijspanning tot onder het bruikbare bereik daalt, wordt de accu uitgeschakeld en knippert de 1e LED gedurende tien (10) seconden. De accu moet dan worden opgeladen. Als door overmatige belasting de maximale ontladstroom van de accu is bereikt, schakelt het beveiligingscircuit het gereedschap uit. Het gereedschap kan onmiddellijk weer worden gebruikt.

Gebruik bij koud weer

De lithiumionaccu kan worden gebruikt bij lage temperaturen van maar liefst -20 °C (-4 °F). Laat het gereedschap onbelast lopen als de accu zeer koud is om de accu op te warmen, en gebruik het gereedschap dan op de normale manier.

Gebruik bij warm weer

Als de lithiumionaccu een temperatuur van 70 °C (158 °F) bereikt, zal het beveiligingscircuit de accu uitschakelen en knipperen alle vier LED's. Nadat de accu is afgekoeld tot onder 65 °C (149 °F) zal de accu weer normaal werken.

Opslag

Stel de accu niet bloot aan water of regen; daardoor zou de accu beschadigd kunnen worden.

Laad de accu helemaal voordat u deze opslaat. Voor een optimale levensduur moeten alle lithiumionaccu's op kamertemperatuur en uit de buurt van vocht worden opgeslagen. De capaciteit kan permanent verloren gaan als accu's lange tijd bij hoge temperaturen van meer dan 49 °C (120 °F) worden bewaard.

Onderhoud

Reparatie

De reparatie van een gereedschap vereist grote behoeftzaamheid en kennis. Reparaties mogen uitsluitend door een gekwalificeerde onderhoudsmonteur worden uitgevoerd.

- Controleer het gereedschap altijd op beschadigde delen voordat u het gebruikt.
- Vervang of repareer beschadigde onderdelen vóór gebruik. Controleer de uitlijning van bewegende delen. Als bewegende delen vastzitten of als onderdelen gebroken zijn, kan de werking van het gereedschap veranderen.
- Laat beschadigde onderdelen op de juiste manier repareren of vervangen door een erkend onderhoudscentrum.
- Gebruik het gereedschap niet als het niet met de schakelaar kan worden in- en uitgeschakeld.
- Onderhoud gereedschap. Bewaar gereedschap op een droge, schone, olie- en vetvrije plaats voor een betere en veilige prestatie.
- Bel de klantenservice van **Snap-on** op nummer 1-877-762-7664 (binnen de VS) voor uw dichtstbijzijnde **Snap-on** reparatiecentrum.

(Alleen Noord-Amerika)
Northern Repair Center
3011 E Route 176
Crystal Lake IL 60014

(Buiten Noord-Amerika)

Zie onderdeel Contactgegevens op pagina 95

- Als een lithiumionaccu snel wordt geladen of ontladen, zal de inwendige temperatuur van de accu aanzienlijk stijgen. Dit is normaal.
- Onder ideale werkomstandigheden is de levensduur van een lithiumionaccu ca. 1000 laad-/ontlaadcycli. Verkeerde verzorging en onderhoud verkorten de levensduur van de accu en de tijd dat de accu geladen blijft.
- Gebruik alleen Snap-on laders die geschikt zijn voor een accu uit de CTB-serie.
- Voorkom kortsluiting van de accu. De accu kan blijvend beschadigd raken door de ontlading van hoge stroom.



- **Trek de stekker van de lader uit het stopcontact voordat u deze demonteert.**
- **Haal de accu uit het gereedschap voordat u met de demontage begint. Kortsluiting van de accu kan brand of lichamelijk letsel veroorzaken.**
- **Gebruik veiligheidsvoorzieningen. Draag altijd oogbescherming.**



CT9035/CT9038

Clé à chocs sans fil

FR

Consignes de sécurité

Snap-on Tools Company fournit des messages de sécurité pour couvrir les situations raisonnables pouvant se rencontrer lors de l'utilisation, de l'entretien ou de la réparation des outils sans fil. Il est de la responsabilité des utilisateurs et des techniciens de service d'être informés des procédures, outils et matériaux utilisés et de s'assurer que ces procédures, outils et matériaux ne présentent aucun danger pour eux, pour d'autres personnes présentes sur leur lieu de travail, ou pour l'outil.

Avertissements généraux de sécurité concernant les outils électriques



AVERTISSEMENT

Lire l'intégralité des avertissements de sécurité, des instructions, des illustrations et des spécifications fournis avec cet outil électrique. Le non-respect des avertissements et des instructions peut provoquer un risque d'électrocution, un incendie et/ou de graves blessures corporelles.

**CONSERVEZ TOUS
LES
AVERTISSEMENTS
ET TOUTES LES
INSTRUCTIONS
AFIN DE POUVOIR
VOUS Y RÉFÉRER
ULTÉRIEUREMENT**

L'expression « outil électrique » dans les avertissements désigne un outil électrique branché sur secteur (avec cordon) ou alimenté par batterie (sans fil).

Sécurité du lieu de travail

- Maintenir l'espace de travail propre et bien éclairé. Les zones encombrées ou mal éclairées sont la cause d'accidents.
- Ne faites pas fonctionner d'outils électriques dans des milieux potentiellement explosifs qui contiennent des liquides inflammables, des gaz ou de la poussière. Les outils électriques provoquent des étincelles susceptibles d'enflammer les poussières et les émanations.
- Lorsque vous utilisez un outil électrique, les observateurs et les enfants doivent être maintenus à distance. Toute inattention peut vous faire perdre le contrôle de l'outil.

Sécurité électrique

- Les fiches d'outils électriques doivent correspondre à la prise secteur. Ne modifiez jamais la fiche. N'utilisez pas d'adaptateur avec les outils électriques mis à la terre. Les fiches et prises correspondantes non modifiées réduiront le risque d'électrocution.
 - Évitez tout contact avec les surfaces mises à la terre comme les tuyaux, les radiateurs, les plaques chauffantes et les réfrigérateurs. Le risque d'électrocution est accru si votre corps est mis à la terre.
 - N'exposez pas les outils électriques à la pluie ou des conditions humides. L'infiltration d'eau dans le boîtier d'un outil électrique augmentera le risque d'électrocution.
 - Ne maltraitez pas le cordon d'alimentation. Ne transportez, tirez ou débranchez jamais l'outil électrique par son cordon. Maintenez le cordon à l'écart de sources de chaleur, d'huile, de bords coupants et de pièces en mouvement. Les cordons endommagés ou enchevêtrés augmentent le risque d'électrocution.
 - Si vous utilisez un outil électrique à l'extérieur, utilisez une rallonge électrique adaptée à une utilisation extérieure. L'utilisation d'un cordon adapté pour une utilisation à l'extérieur réduit le risque d'électrocution.
 - Si vous ne pouvez pas éviter d'utiliser un outil électrique dans un endroit humide, utilisez une alimentation protégée par un DISJONCTEUR DIFFÉRENTIEL DE FUITE À LA TERRE (GFCI). L'utilisation d'un GFCI réduit le risque d'électrocution.
- AUSTRALIE / NOUVELLE-ZÉLANDE :**
- Si l'utilisation d'un outil électrique dans un endroit humide est inévitable, utiliser une alimentation protégée par un DISPOSITIF DE COURANT RÉSIDUEL (RCD) d'une sensibilité de 30 milliampères ou moins. L'utilisation d'un RCD réduit le risque de choc électrique.

Sécurité personnelle

- Restez vigilant, attentif et faites preuve de bon sens lors de l'utilisation d'un outil électrique. N'utilisez pas d'outil électrique quand vous êtes fatigué ou sous l'influence de médicaments, d'alcool ou de drogues. Un moment d'inattention pendant l'utilisation d'outils électriques peut causer des blessures corporelles graves.

- **Utilisez un équipement de protection individuelle. Portez toujours des lunettes de sécurité.** *L'utilisation d'équipements de protection : masque anti-poussières, chaussures de sécurité antidérapantes, casque de protection ou protection anti-bruit, adaptés aux conditions ambiantes réduira les blessures corporelles.*
- **Évitez les mises en marche accidentelles. Assurez-vous que l'interrupteur est sur Arrêt avant de brancher l'appareil sur la prise secteur et/ou le bloc-batterie, de le manipuler ou le transporter.** *Le transport d'outils électriques le doit sur l'interrupteur ou le branchement d'outils électriques avec l'interrupteur sur position Marche (On) peut provoquer des accidents.*
- **Retirez les clés de réglage avant de mettre l'outil électrique en marche.** *Une clé accrochée à une pièce de l'outil électrique en rotation peut entraîner des lésions corporelles.*
- **Ne pas utiliser l'outil en extension. Maintenir un bon appui au sol et un bon équilibre à tout moment.** *Ceci vous permet de mieux maîtriser l'outil électrique dans des situations imprévues.*
- **Portez des vêtements appropriés. Ne portez ni vêtements amples ni bijoux. Maintenez cheveux, vêtements et gants éloignés des pièces en mouvement.** *Les vêtements amples, les bijoux et les cheveux longs peuvent se coincer dans les pièces en mouvement.*
- **Si des dispositifs sont prévus pour le branchement d'appareils d'extraction et de collecte des poussières, assurez-vous qu'ils sont correctement branchés et utilisés.** *L'utilisation de dispositifs de collecte des poussières peut réduire les dangers liés aux poussières.*
- **Ne pas laisser l'habitude acquise grâce à l'utilisation fréquente des outils être la source d'un relâchement et vous laisser négliger les principes de sécurité relatifs à l'utilisation des outils.** *Une action imprudente peut causer des blessures graves en une fraction de seconde.*
- **Entretenez vos outils électriques et leurs accessoires. Assurez-vous que les pièces en mouvement ne sont ni coincées, ni mal alignées, ni cassées, ni dans un état susceptible de diminuer l'efficacité de l'outil électrique. Si elles sont endommagées, faites réparer l'outil électrique avant de l'utiliser.** *De nombreux accidents sont provoqués par des outils électriques mal entretenus.*
- **Gardez les outils de coupe bien affûtés et propres.** *Des outils de coupe bien entretenus au bord coupant bien affûté ont moins de risques de se coincer et sont plus faciles à manier.*
- **Utilisez l'outil électrique, ses accessoires et embouts, etc. conformément à ces instructions, en prenant en considération les conditions de travail et la tâche à exécuter.** *L'utilisation de l'outil électrique pour des opérations différentes de celles prévues présente des risques.*
- **Maintenir les poignées et les surfaces de préhension sèches, propres et exemptes d'huile et de graisse.** *Des poignées et des surfaces de préhension glissantes ne permettent pas une manipulation et un contrôle sûrs de l'outil dans des situations imprévues.*

Utilisation et entretien de l'outil électrique alimenté par batterie

- **Rechargez uniquement avec le chargeur spécifié par le fabricant.** *Le chargeur adapté à un type de bloc-batterie peut poser un risque d'incendie avec un autre bloc-batterie.*
- **Utilisez les outils électriques uniquement avec le bloc-batterie spécifique désigné.** *L'utilisation d'autres blocs-batteries peut provoquer des blessures ou déclencher un incendie.*
- **Lorsque la batterie n'est pas utilisée, tenez-la éloignée de tout autre objet métallique (trombones, pièces de monnaie, clés, clous, vis, etc.) susceptible d'établir une connexion entre les bornes.** *Un court-circuit entre les bornes peut provoquer des brûlures ou un incendie.*
- **Dans le cas d'une utilisation abusive, du liquide pourra être éjecté de la batterie ; évitez tout contact avec ce liquide. En cas de contact accidentel, rincez à l'eau. En cas de projection de liquides dans les yeux, consultez un médecin.** *Le liquide éjecté de la batterie risque de causer une irritation ou des brûlures.*
- **Ne pas utiliser une batterie ou un outil endommagé ou modifié.** *Des batteries endommagées ou modifiées peuvent présenter un comportement imprévisible entraînant un incendie, une explosion ou un risque de blessure.*
- **Ne pas exposer une batterie ou un outil au feu ou à une température excessive.** *Une exposition au feu ou à une température supérieure à 130 °C (265 °F) pourrait provoquer une explosion.*
- **Respecter toutes les instructions de charge et ne pas charger la batterie ou l'outil en dehors de la plage de température spécifiée dans les instructions.** *Une charge incorrecte ou à des températures situées en dehors de la plage spécifiée pourrait endommager la batterie et augmenter le risque d'incendie.*
- **Ne forcez pas sur l'outil électrique. Utilisez l'outil électrique adéquat pour l'application.** *L'outil électrique adéquat sera plus performant et plus sûr s'il est utilisé au régime pour lequel il a été conçu.*
- **N'utilisez pas l'outil électrique si son interrupteur de marche/arrêt ne fonctionne pas.** *Un outil électrique qui ne peut pas être commandé par interrupteur est dangereux et doit être réparé.*
- **Débranchez la fiche de la prise secteur et/ou le bloc-batterie de l'outil électrique avant d'effectuer un réglage, de changer d'accessoires ou de ranger des outils électriques.** *Ces mesures préventives diminueront le risque de mise en marche intempestive de l'outil électrique.*
- **Rangez les outils électriques inutilisés hors de portée des enfants ; toute personne qui ne s'est pas familiarisée avec l'outil ou n'a pas lu ces instructions ne devra pas utiliser l'outil électrique.** *Les outils électriques sont dangereux s'ils sont maniés par des utilisateurs inexpérimentés.*

Maintenance et réparation

- **Faites réparer votre outil électrique par un réparateur qualifié en utilisant uniquement des pièces détachées identiques.** Cette précaution permettra de garantir le maintien de la sécurité de l'outil électrique.
- **Ne jamais réparer des batteries endommagées.** La maintenance des batteries ne doit être effectuée que par le fabricant ou les prestataires de services agréés.

Consignes de sécurité spécifiques

- **Tenez l'outil par les surfaces de préhension isolées quand il risque d'entrer en contact avec des fils électriques cachés.** Le contact de l'attache avec un fil sous tension peut provoquer la mise sous tension des parties métalliques de l'outil électrique et un risque d'électrocution chez l'opérateur.

Clé à chocs sans fil - Messages

AVERTISSEMENT



Mal utilisés, les outils mécaniques et leurs accessoires peuvent se casser.

- **Lisez les instructions avant d'utiliser des outils pneumatiques.**
- **Assurez-vous que ces instructions accompagnent l'outil et sont remises avec lui à un nouvel utilisateur, ou à quelqu'un d'inexpérimenté.**
- **N'enlevez aucune des étiquettes. Remplacer les étiquettes endommagées.**

Un outil cassé peut causer des blessures.



Les outils sans fil peuvent être source d'étincelles.

- **Ne pas lubrifier ou nettoyer l'outil avec des liquides inflammables tels que du pétrole, de l'essence, du gazole ou du kérosène.**

Ne pas faire fonctionner dans une atmosphère explosive.



- **Risque de contamination par poussières dangereuses.**
- **Porter un masque anti-poussière ou un masque respiratoire approuvé lors de l'utilisation d'outils qui génèrent de la poussière.**

L'inhalation de poussières dangereuses peut provoquer des blessures corporelles.



Les outils mécaniques peuvent être à l'origine de projections.

- **Opérateur et observateurs : portez des lunettes de sécurité !**

Les projections peuvent causer des blessures.



Les outils mécaniques font du bruit.

- **Opérateur et observateurs : portez une protection auditive !**

L'exposition prolongée au bruit peut causer la perte de l'ouïe.



Les outils mécaniques vibrent.

- **Évitez toute exposition prolongée aux vibrations et aux mouvements répétitifs, et évitez les positions inconfortables.**
- **Cessez d'utiliser l'outil en cas de gêne, de picotement ou de douleur. Consultez un médecin avant d'en reprendre l'utilisation.**
- **N'utilisez pas l'outil s'il vibre trop, fait des bruits inhabituels, comprend des parties desserrées ou présente des signes d'endommagement quelconque.**
- **Si l'outil ne fonctionne pas correctement, interrompez son utilisation et le faire immédiatement examiner pour entretien ou réparation.**

Une exposition prolongée aux vibrations, des mouvements prolongés et des positions inconfortables risquent de causer des blessures.

Des changements soudains de mouvement ou de position peuvent se produire pendant l'utilisation de l'outil.

- **Rester alerte et anticiper les changements de direction au moment de la mise en route et pendant le fonctionnement.**
- **Maintenir l'outil fermement.**
- **Anticiper la force de réaction. Stabilisez votre posture et tenez fermement l'outil.**
- **Vérifier la position du mécanisme d'inversement du sens de rotation avant de faire fonctionner l'outil pour savoir dans quel sens la rotation va s'effectuer lors de la dépression de la détente.**

Les changements soudains de mouvement ou de position peuvent provoquer des blessures.



Risque d'enchevêtrement.

- Maintenez les parties du corps à l'écart des pièces en rotation.
- Porter une coiffure antiscalp pour contenir les cheveux longs.
- S'assurer que la poignée de l'outil est toujours sèche et exempte d'huile ou de graisse.
- Ne bloquez pas la détente en position MARCHE (ON).
- Retirez le bloc-batterie avant de changer des accessoires.

L'enchevêtrement peut provoquer des blessures.

AVERTISSEMENT

- Avec ces clés à chocs, utilisez uniquement des accessoires et forets à chocs. L'utilisation de forets manuels ou électriques provoquera une détérioration prématurée du foret et pourra entraîner des blessures à l'utilisateur. N'utilisez pas de forets ou d'accessoires ébréchés, fissurés ou endommagés.
- Le modèle CT9035/CT9038 est doté d'une bague de verrouillage en acier de retenue des forets. L'anneau maintient le foret en place par frottement. L'anneau devra être remplacé s'il est constaté que le maintien du foret n'est plus suffisant.
- Utilisez uniquement des forets flexibles à joints à rotule. L'utilisation de forets flexibles à bloc carré peut provoquer des blessures car de tels forets ne sont pas conçus pour être utilisés avec une clé à chocs.
- En cas d'utilisation de rallonges, tenez la clé à chocs de manière à ce que le foret s'adapte directement à l'attache.
- Utilisez des pinces de serrage ou autres dispositifs pratiques pour fixer les pièces et leur assurer une assise stable.

Si vous tenez une pièce à la main ou contre vous, le manque de stabilité risque d'entraîner une perte de contrôle.

Consignes de sécurité relatives au bloc-batterie

AVERTISSEMENT



Risque d'explosion ou d'incendie.

- N'entreposez pas l'outil ou la batterie dans des endroits où la température pourrait atteindre ou dépasser 49°C.
- Les chargeurs CTC131A/CTCA131A/CTCEU131A/CTCJ131A ne rechargeront pas la batterie lorsque la température est inférieure à 0°C ou supérieure à 45°C.
- Ne jetez pas la batterie au feu, même si elle est très abîmée ou complètement morte. Elle risquerait d'exploser.

- Couvrez les bornes du bloc-batterie avec du ruban adhésif épais après le retrait du bloc-batterie.
- N'essayez pas de détruire ou démonter le bloc-batterie, ni de retirer l'une de ses pièces.
- Ne chargez pas le bloc-batterie avec un générateur de moteur ou depuis une source d'alimentation c.c.
- Chargez le bloc-batterie dans un lieu bien aéré.

Une explosion ou un incendie peut provoquer des blessures.



Risque d'électrocution.

- Ne démontez pas la batterie.
- Ne la mettez pas en court-circuit.
- Chargez le bloc-batterie uniquement avec des chargeurs de marque Snap-on pour les blocs-batteries spécifiés.
- Débranchez le bloc-batterie quand il n'est pas utilisé, avant de faire une réparation ou la maintenance, et avant de changer les accessoires.
- Ne chargez pas le bloc-batterie avec un générateur de moteur ou depuis une source d'alimentation c.c.

Une électrocution ou un incendie peut causer des blessures.



Risque de brûlures.

- Dans des conditions extrêmes d'utilisation ou de température, les batteries risquent de fuir.
- Dans le cas d'une utilisation abusive, du liquide pourra être éjecté de la batterie ; évitez tout contact avec ce liquide. En cas de contact accidentel, rincez à l'eau. En cas de projection de liquides dans les yeux, consultez un médecin.

Le liquide éjecté de la batterie risque de causer une irritation ou des brûlures.

- Assurez-vous que l'interrupteur est sur Arrêt (Off) avant d'insérer le bloc-batterie.

L'insertion du bloc-batterie dans des outils électriques avec l'interrupteur sur Marche peut provoquer des accidents.

- Lorsque le bloc-batterie n'est pas utilisé, ne le placez pas dans la poche d'un vêtement.

Une fuite de la batterie ou des étincelles risquent de causer des brûlures ou un incendie.



Risque de court-circuit et d'incendie.

- Ne court-circuitez pas le bloc-batterie.
- Ne touchez pas les bornes avec un matériau conducteur.
- Évitez d'entreposer le bloc-batterie avec des matériaux conducteurs comme des clous, des vis, des pièces de monnaie et d'autres objets métalliques.
- Ne transportez pas le bloc-batterie dans une poche de tablier ou des poches qui contiennent des objets conducteurs.

Un court-circuit peut causer un incendie et des brûlures graves.

Mise au rebut de la batterie - Consignes de sécurité



L'étiquette **RBRC™** apposée sur la batterie au lithium-ion contenue dans ce produit indique que **Snap-on** participe volontairement au programme industriel de collecte et de recyclage de ces batteries à la fin de leur cycle de vie utile.

FR	When battery has reached end of life, please take it to your franchisee or a local battery recycler in accordance with local regulations. Customer Service Number: +33 6 4890 7559 Email: European.division.south@snapon.com
FR	Lorsque la batterie est en fin de vie, veuillez la rapporter à votre franchisé ou à un centre de recyclage de batteries local conformément à la réglementation locale. Numéro du service client: +33 6 4890 7559 Courriel: European.division.south@snapon.com

La participation de **Snap-on** à ce programme entre dans le cadre de notre engagement vis-à-vis de la protection de l'environnement et de la conservation des ressources naturelles.

Règlementation FCC



Cet appareil est conforme à la section 15, sous-section B des règles de la FCC. Le fonctionnement est soumis aux deux conditions suivantes:

1. Cet appareil ne doit pas provoquer d'interférences nuisibles, et
2. Cet appareil doit accepter toute interférence reçue, y compris les interférences susceptibles de provoquer un fonctionnement indésirable.



Risque d'explosion ou d'incendie.

- **Ne jetez pas les batteries usagées ! Renvoyez la batterie à un centre de réparation Snap-on agréé pour être recyclée.**

Une explosion ou un incendie peut provoquer des blessures.



Risque d'incendie.

- **N'essayez pas de démonter la batterie ni de retirer l'un des composants de ses bornes.**
- **Avant le recyclage, protégez les bornes exposées de ruban adhésif isolant épais pour éviter un court-circuit.**

Un incendie peut causer des blessures.

Consignes de sécurité relatives au chargeur de batterie



Risque d'électrocution et d'incendie.

- **N'insérez pas le bloc-batterie dans le chargeur si son boîtier est fissuré ou endommagé.**

Une électrocution ou un incendie peut causer des blessures.

- **Pour réduire le risque d'électrocution, ce cordon d'alimentation (version É.U. uniquement) a une fiche polarisée (une lame plus large que l'autre). Cette fiche s'insère uniquement dans un sens dans une prise polarisée. Si la fiche ne rentre pas dans la prise, retournez-la ; si elle n'y rentre toujours pas, contactez un électricien qualifié pour faire installer une prise adéquate. Ne modifiez jamais la fiche.**
- **Utilisez les chargeurs CTC131A/CTCA131A/CTCEU131A/CTCJ131A uniquement avec les blocs-batteries rechargeables CTB8185BK/CTB8187/CTB8172BK/CTB8174/CTB185/CTB1856. La recharge de batteries d'un type différent risque de provoquer leur éclatement, entraînant blessures et dégâts.**
- **Dans le cas d'une utilisation abusive, du liquide pourra être éjecté de la batterie ; évitez tout contact avec ce liquide. En cas de contact accidentel, rincez à l'eau. En cas de projection de liquides dans les yeux, consultez un médecin.**

Le liquide éjecté de la batterie risque de causer une irritation ou des brûlures.

- **N'essayez jamais de connecter deux chargeurs entre eux.**
- **N'exposez pas le chargeur à la pluie ou à la neige.**
- **Pour le débrancher, tirez sur la fiche et non sur le cordon d'alimentation.**
- **Veillez à ne pas marcher ou trébucher sur le cordon d'alimentation et assurez-vous qu'il n'est ni endommagé ni soumis à une tension excessive.**



Risque d'explosion.

- **Opérateur et observateurs: portez des lunettes de sécurité.**

L'explosion de la batterie peut causer des lésions oculaires.



Mal utilisés, les outils mécaniques et leurs accessoires peuvent se casser.

- **Avant d'utiliser le chargeur, lisez toutes les instructions et mises en garde figurant sur le chargeur, sur la batterie et sur le produit utilisant la batterie.**

Un outil cassé peut causer des blessures.

CONSIGNES IMPORTANTES DE SÉCURITÉ



Risk of electric shock and fire.

DANGER—POUR RÉDUIRE LE RISQUE D'INCENDIE OU D'ÉLECTROCUTION, SUIVEZ ATTENTIVEMENT CES INSTRUCTIONS.

1. Ce manuel contient des consignes de sécurité importantes et les instructions d'utilisation du chargeur Snap-on CTC131A/CTCA131A/CTCEU131A/CTCJ131A.
2. Avant d'utiliser le chargeur de batterie, lisez toutes les instructions et mises en garde figurant sur le chargeur, sur la batterie et sur le produit utilisant la batterie.
3. **ATTENTION**—Pour réduire le risque de blessures, chargez uniquement des batteries rechargeables du type CTB8185BK/CTB8187/CTB8172BK/CTB8174/CTB185/CTB1856. La charge de batteries d'un autre type risque de provoquer leur éclatement, entraînant blessures individuelles et dégâts matériels.
4. N'exposez pas le chargeur à la pluie, l'humidité ou à la neige.
5. L'utilisation d'un accessoire non recommandé ou vendu par le fabricant du chargeur de batterie risque de provoquer un incendie, une électrocution ou des blessures aux personnes.
6. Pour éviter d'endommager le cordon, tirez au niveau de la prise au lieu de tirer sur le cordon pour débrancher le chargeur.
7. Assurez-vous que le cordon est placé de façon à ce que personne ne marche ou ne trébuche dessus ou qu'il ne risque pas d'être endommagé ou tendu d'une autre manière.
8. N'utilisez pas le chargeur avec un cordon endommagé - remplacez-le immédiatement.
 - Le cordon du chargeur CTC131A/CTCA131A/CTCEU131A/CTCJ131A doit être remplacé par un cordon **Snap-on** identique
9. N'utilisez pas le chargeur s'il a été cogné, est tombé par terre ou a été endommagé d'une autre manière.
10. Ne démontez pas le chargeur ; faites-le vérifier par un réparateur qualifié en cas de maintenance ou de réparation nécessaire. Un remontage incorrect risque de provoquer une électrocution ou un incendie.
11. Pour réduire le risque d'électrocution, débranchez le chargeur avant de tenter toute maintenance ou nettoyage. La mise hors tension de l'appareil ne permettra pas de réduire ce risque.
12. Ce chargeur ne doit pas être utilisé par une personne (ni par un enfant) présentant des capacités mentales, sensorielles ou physiques amoindries, un manque d'expérience ou de connaissances, sauf si elle (s'il) a bénéficié d'une surveillance ou reçu des instructions relatives à l'utilisation du chargeur par une personne chargée de sa sécurité.
13. Surveillez les enfants et assurez-vous qu'ils ne jouent pas avec l'appareil.
14. Ne rechargez pas les batteries non rechargeables.
15. N'essayez jamais de connecter deux chargeurs entre eux.
16. Faites réparer votre chargeur par un réparateur qualifié, utilisant uniquement des pièces de rechange identiques. Cette précaution permet de garantir la sécurité du chargeur en toute circonstance.
17. Pour le centre de réparation Snap-on le plus proche, appelez le service clientèle Snap-on au 1-877-762-7664.
18. Pour réduire le risque d'explosion, lisez ces instructions et celles qui figurent sur la batterie.
19. Ne jamais fumer près de la batterie ou du moteur et éviter toute étincelle ou flamme nue à proximité de ces derniers.
20. Ne jamais charger une batterie gelée.
21. Ne pas faire fonctionner le chargeur dans un espace clos et/ou ne pas gêner la ventilation.
22. Sauf en cas de nécessité absolue, n'utilisez pas de rallonge, veillez à ce que :
 - les broches de la fiche de la rallonge soient du même nombre, du même calibre et de la même forme que celles de la fiche du chargeur ;
 - la rallonge soit bien câblée et en bon état électrique ;
 - le calibre du câble soit suffisant pour l'intensité nominale c.a. du chargeur, conformément aux indications ci-dessous.

Chargeur de 100-120 volts Longueur du cordon (pieds)	Calibre du câble (AWG)
25	18
50	18
100	18
Chargeur de 220-240 volts Longueur du cordon (mètres)	Calibre du câble (mm)
50	0,75
75	1,0

Longueur de rallonge recommandée

CONSERVEZ CES INSTRUCTIONS

Description fonctionnelle

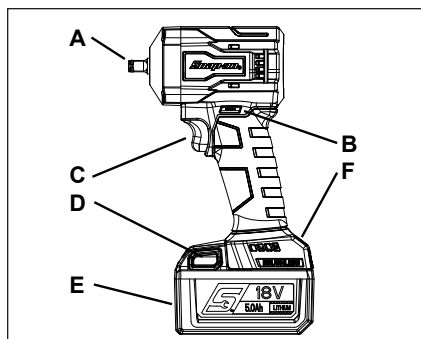


Figure 1 : Clé à chocs sans fil

- A. Enclume avec anneau amortisseur
- B. Levier avant/arrière
- C. Détection
- D. Bouton de relâchement
- E. Bloc-batterie
- F. Réglages de puissance

Spécifications

Caractéristiques techniques de la clé à chocs

Taille de l'entraînement carré.....
 CT9035.....13 mm (1/2 po)
 CT9038.....10 mm (3/8 po)
 Couple de serrage370 N•m
 Couple de séparation du boulon712 N•m
 Régime libre.....2050 tr/min
 Impacts par minute3300 ipm
 Tension du moteur18,0 V c.c.

Poids avec bloc-batterie (Lithium-ion)2,0 kg

Bruit* (Testé conformément à la norme EN 62841)

CT9035

Niveau de pression acoustique (A)93,8 dB

Incertitude, K0,84 dB

Niveau de puissance acoustique (A)105,4 dB

Incertitude, K0,84 dB

CT9038

Niveau de pression acoustique (A)95,3 dB

Incertitude, K0,45 dB

Niveau de puissance acoustique (A)106,9 dB

Incertitude, K0,45 dB

Vibrations* (Testé conformément à la norme EN 62841)

CT9035

Niveau de vibration4,91 m/s²

Incertitude, K0,71 m/s²

CT9038

Niveau de vibration6,62 m/s²

Incertitude, K1,37 m/s²

*REMARQUE : La ou les valeurs totales de vibration déclarées et la ou les valeurs d'émission de niveau sonore déclarées ont été mesurées conformément à une méthode de test standard et peuvent être utilisées pour comparer un outil avec un autre. La ou les valeurs totales de vibrations déclarées et la ou les valeurs d'émission sonore déclarées peuvent également être utilisées dans une évaluation préliminaire d'exposition.

⚠ AVERTISSEMENT

Les émissions de vibrations et de niveau sonore lors de l'utilisation réelle de l'outil électrique peuvent différer des valeurs déclarées en fonction de la manière dont l'outil est utilisé, en particulier du type de pièce à usiner. Il est nécessaire d'identifier les mesures de sécurité à mettre en place pour protéger l'opérateur sur la base d'une estimation de l'exposition dans les conditions réelles d'utilisation (en tenant compte de toutes les séquences du cycle de fonctionnement telles que les moments où l'outil est éteint et lorsqu'il tourne au ralenti en plus des périodes de fonctionnement à plein régime).

Snap-on décline toute responsabilité quant aux conséquences de l'utilisation des valeurs déclarées, au lieu de valeurs reflétant l'exposition réelle déterminée par une évaluation des risques individuels dans une situation de travail donnée sur laquelle nous n'avons aucun contrôle.

Symbologie

SYMBOLLOGIE	
	REPORTEZ-VOUS AU MANUEL/ LIVRET D'UTILISATION
	PORTEZ DES LUNETTES DE SECURITE
	PORTEZ UNE PROTECTION AUDITIVE
	RISQUE DE VIBRATION
V	VOLTS
---	COURANT CONTINU
n_0 xxx/min	VITESSE À VIDE
CE	MARQUAGE CE
	ÉTATS-UNIS – CANADA UL SOLUTIONS
C UL US	ÉTATS-UNIS – CANADA UL SOLUTIONS
FCC	FCC COMMISSION FÉDÉRALE DES COMMUNICATIONS
	SÉCURITÉ ÉLECTRIQUE AU JAPON TÜV RHEINLAND
	DOUBLE ISOLATION

BFP	PROTECTION ANTI RETOUR
	RECYCLEZ LA BATTERIE SELON LA RÉGLEMENTATION EN VIGUEUR
	NE LA JETEZ PAS AUX ORDURES
BC	CALIFORNIE – CONFORME À LA DIRECTIVE 20
UK CA	MARQUAGE UKCA (UK CONFORMITY ASSESSED [CERTIFICATION DE CONFORMITE ROYAUME-UNI])
	RCM (MARQUE DE CONFOR- MITÉ RÉGLEMENTAIRE)

Caractéristiques techniques du bloc-batterie

	CTB185/ CTB8187	CTB1856
Type	Lithium-Ion	Lithium-Ion
Tension	18 V c.c. (5 x 2 piles de 3,6 V)	18 V c.c. (5 x 2 piles de 3,6 V)
Poids	~ 0,68 kg	~ 0,68 kg
Temps de charge	voir la section Chargement de la batterie	
Durée de vie	1 000 cycles (1 cycle=1 charge et 1 décharge)	
Capacité	5,0 Ah	5,6 Ah
Plage de températures de décharge	-20°C à 60°C	

Caractéristiques techniques du chargeur de batterie

	CTC131A/CTCA131A/ CTCEU131A/CTCJ131A
Entrée	100-240V, 50/60 Hz
Sortie	5,0 A
Sortie Port d'alimentation USB	5,0 V c.c. @ 0,5 A
Poids	-0,95 kg
Plage de températures de chargement	0°C à 45°C

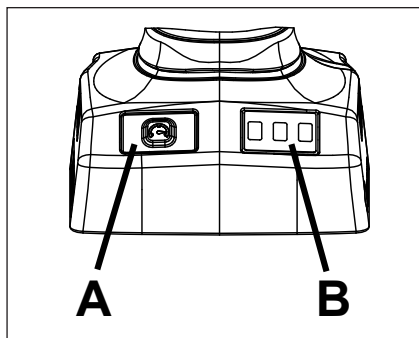


Figure 2 : Sélecteur de vitesse

Les réglages de vitesse peuvent être définis indépendamment pour CCW (sens antihoraire) et CW (sens horaire). Cette fonction peut être utilisée pour retirer les fixations à pleine vitesse et les réinstaller avec un contrôle amélioré à une vitesse inférieure.

1. Appuyer sur la détente puis la relâcher pour activer l'outil. La valeur du réglage de vitesse actuellement sélectionné s'affiche en accord avec le tableau de sélection de vitesse donné ci-dessous.
2. Appuyer sur le bouton de sélection de vitesse pour sélectionner l'un des trois modes de vitesse. Le travail peut commencer une fois que le réglage de vitesse voulu est affiché.

Operation

The **Snap-on** Cordless Impact Wrench is ideal for a wide variety of fastener turning jobs in both the industrial and automotive fields. When used with **Snap-on** impact sockets, it provides power and speed for greater job efficiency with less operator fatigue. The impact wrench also adds the freedom of movement not usually available with products requiring air hoses or electrical cords.

Application

Enclume avec anneau amortisseur

1. À l'installation d'une clé à chocs, placez le levier avant/arrière en position centrale pour éviter le démarrage accidentel de l'outil ou retirez le bloc-batterie.
2. Alignez le carré de la douille sur les quatre facettes au bout de l'enclume.
3. Poussez la douille sur l'anneau amortisseur jusqu'à ce qu'elle se bloque.
4. Pour retirer la douille à chocs, saisissez-la fermement et faites-la glisser de l'enclume.

Ce type d'enclume est adapté aux changements de douille réguliers, tel qu'il peut y en avoir dans un garage.

Utilisation du sélecteur de vitesse

Le bouton de sélection de vitesse est utilisé pour contrôler la vitesse de rotation, la vitesse d'impact et le couple de sortie.

LA VITESSE RÉGLAGE	AFFICHAGE DE LA SÉLECTION DE VITESSE	VITESSE	IPM	COUPLE % *
1	☀ ○ ○	0-1000	0-2000	0-25%
2	☀ ☀ ○	0-1525	0-2850	0-50%
3	☀ ☀ ☀	0-2050	0-3150	0-100%

* Effet sur le % de couple obtenu à l'aide d'un boulon hexagonal de 3/8 po. Toujours utiliser une clé dynamométrique pour vérifier le couple.

COULEUR DU VOYANT	DIRECTION
Vert	CCW (sens inverse)
Rouge	CW (avant)

Commutateur avant/arrière

Le commutateur gauche/droite détermine le sens de rotation de l'enclume, dans le sens des aiguilles d'une montre ou dans le sens inverse.

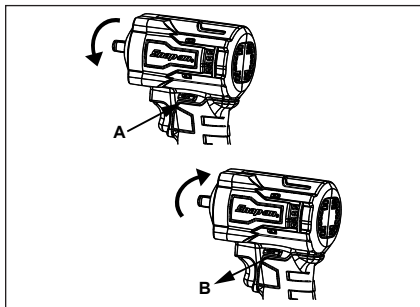


Figure 3 : Commutateur avant/arrière

- A. Appuyez sur le commutateur pour obtenir une rotation inverse ou antihoraire.
- B. Relâchez le commutateur pour une rotation avant ou horaire.

Pour inverser le sens de rotation de l'enclume :

1. Vérifiez que la clé à chocs est arrêtée et ne fonctionne pas.
2. La position du commutateur avant/arrière détermine le sens de rotation de l'enclume. Les positions du commutateur, lorsque l'outil est positionné comme indiqué ci-dessus, sont les suivantes :
 - Avant (B), l'enclume tourne dans le sens horaire ;
 - Arrière (A), l'enclume tourne dans le sens antihoraire.
3. Pour que l'outil fonctionne, le commutateur doit être en position avant ou arrière. La position centrale verrouille le commutateur en position ARRÊT (OFF).

Détente

Appuyez sur la détente pour faire tourner l'enclume. Pour que l'outil fonctionne, le levier doit être en position avant ou arrière. La détente peut être verrouillée en position ARRÊT (OFF). Le blocage de la détente dans la position ARRÊT permet de diminuer le risque de mise en marche intempestive de la clé à chocs quand on ne l'utilise pas. Placez le levier en position centrale pour verrouiller la détente. Verrouillez la détente lorsqu'elle n'est pas utilisée.

Surcharge

Si l'outil est surchargé pour une raison quelconque entraînant un échauffement excessif de l'outil ou de la batterie, l'électronique interne arrêtera le fonctionnement de l'outil. Il s'agit d'une fonction de sécurité qui aidera à éviter la surchauffe de l'outil ou de la batterie. Relâcher la détente pour reprendre son fonctionnement.

- Surchauffe de la batterie - indiquée par les quatre voyants LED clignotant sur la batterie. Cela signifie que la température interne de la batterie est trop élevée et qu'elle s'arrêtera de fonctionner pour prolonger la durée de vie de celle-ci. Les voyants continueront de clignoter pendant quatre (4) minutes après chaque pression sur la détente jusqu'à ce que la température baisse à un niveau acceptable. Il est possible de refroidir l'outil ou la batterie à l'aide d'un ventilateur.
- Surchauffe de l'outil - indiquée par le clignotement de la LED d'éclairage. Lorsque l'outil est utilisé en continu sous une charge lourde, la température interne de l'électronique peut être atteinte et l'outil s'arrête temporairement de fonctionner. Laissez l'outil refroidir à l'air pour reprendre son fonctionnement.

Recharge de la batterie

1. Insérez la fiche du cordon d'alimentation dans la prise du chargeur.
2. Raccordez l'autre extrémité du cordon à une prise de courant.
3. Insérez le bloc-batterie dans le chargeur. Placez le bloc-batterie de manière à ce que la batterie soit alignée sur le haut du chargeur.
 - Le voyant vert se mettra à clignoter pour indiquer que le chargeur met en charge le bloc-batterie.
4. L'indicateur de charge placé sur le bloc-batterie indiquera le pourcentage de charge en cours.
 - Lorsque la batterie est à 25 % de charge, un des voyants verts s'illuminera en continu.

Bloc-batterie	Chargeur CTC131A/CTCA131A/ CTCEU131A/CTCJ131A
CTB185/CTB8187	~ 90 min
CTB1856	~ 100 min

5. Une fois la charge rapide terminée, les quatre (4) voyants du bloc-batterie seront allumés en continu en vert ainsi que celui placé sur le chargeur.
6. Si la LED située à droite clignote en jaune, cela signifie que le bloc-batterie est soit trop chaud, soit trop froid. Si la batterie est trop chaude ou trop froide, le chargeur ne lance pas la procédure de charge rapide. Le chargeur passe en mode de recharge rapide dès que la température de la batterie se situe entre 0 et 45°C.
7. Si la LED située à droite clignote en rouge, cela signifie que le bloc-batterie est défectueux. Dans ce cas, le chargeur ne procède pas à la mise en charge de la batterie.
8. Quand la charge rapide est terminée, la tension de la batterie est détectée par le chargeur, ce qui provoque la mise hors tension automatique pour éviter la surcharge

et les quatre voyants de niveau de charge sont allumés en vert.

9. Le chargeur possède un port USB, son courant de sortie est de 0,5 A et sa tension de sortie de 5 V c.c. Ne le reliez pas à un appareil nécessitant un ampérage supérieur à 0,5 A.

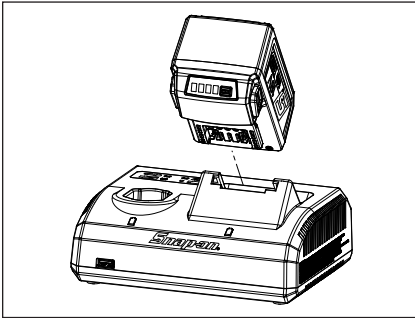


Figure 4 : Insertion de la batterie

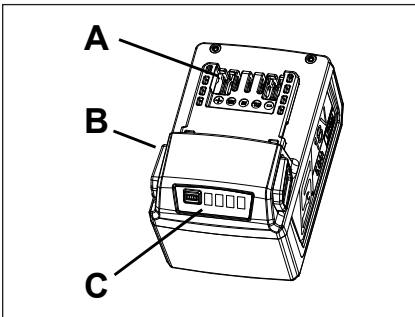


Figure 5 : Bloc-batterie (CTB185/CTB1856)

- A. Borne
B. Bouton de verrouillage
C. Indicateur de charge

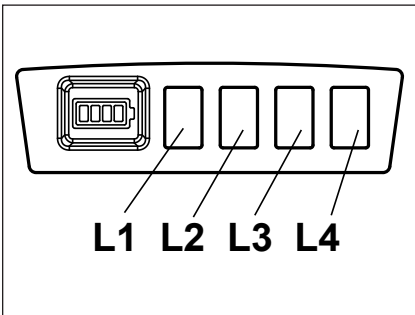


Figure 6 : Indicateur de charge (CTB185/CTB1856)

- L1 - Voyant allumé - Charge de 25 %
L2 - Voyant allumé - Charge de 50 %
L3 - Voyant allumé - Charge de 75 %
L4 - Voyant allumé - Charge de 100 %

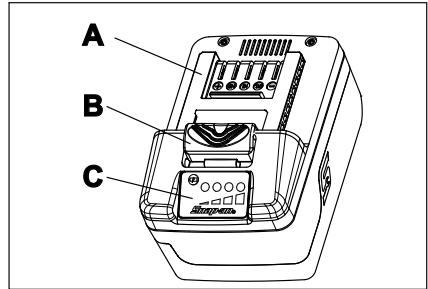


Figure 7 : Bloc-batterie (CTB8187)

- A. Borne
B. Bouton de verrouillage
C. Indicateur de charge

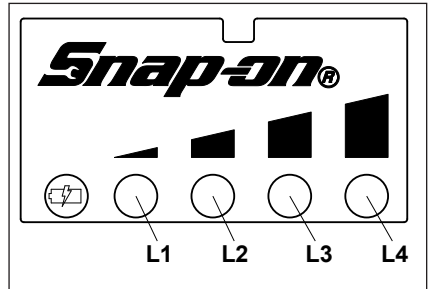


Figure 8 : Indicateur de charge (CTB8187)

- L1 - Voyant allumé - Charge de 25 %
L2 - Voyant allumé - Charge de 50 %
L3 - Voyant allumé - Charge de 75 %
L4 - Voyant allumé - Charge de 100 %

Bloc-batterie

Indicateur de charge

Appuyez sur le bouton de l'indicateur de charge pour allumer les voyants de charge et connaître la capacité restante de la batterie. Les voyants restent allumés 5 secondes.

Remarque : si l'indicateur de charge L1 clignote, rechargez le bloc-batterie.

Compteur de cycle de charge

Appuyez sur le bouton d'indicateur de charge pendant dix (10) secondes pour lire le compteur de cycle de charge.

Comptez le nombre de clignotements pour connaître le nombre de cycles.

Exemple 1:

- L1 - Clignote une (1) fois
L2 - Clignote trois (3) fois
L3 - Clignote quatre (4) fois
L4 - Clignote cinq (5) fois

Cela signifie que le bloc-batterie a été chargé 1 345 fois

Exemple 2:

- L1 - Ne clignote pas
- L2 - Clignote six (6) fois
- L3 - Clignote sept (7) fois
- L4 - Clignote huit (8) fois

Cela signifie que le bloc-batterie a été chargé 678 fois

Protection de la batterie

Pour maximiser la performance et la durée de vie de la batterie, le circuit de protection de la batterie au lithium-ion surveille sa tension, son intensité de décharge et sa température. Lorsque sa tension tombe au-dessous de la plage d'utilisation, la batterie cesse de fonctionner et le premier voyant LED clignote pendant dix (10) secondes. La batterie doit être chargée. Si la limite d'ampérage de décharge de la batterie est atteinte, en raison d'une surcharge excessive, le circuit de protection arrête l'outil. L'outil se remettra à fonctionner immédiatement après avoir relâché la détente.

Fonctionnement par temps froid

La batterie au lithium-ion peut être utilisée à une température minimale de -20°C. Si le bloc-batterie est très froid, faites tourner l'outil sans charge pour réchauffer la batterie avant d'utiliser l'outil normalement.

Fonctionnement par temps chaud

Si la température de la batterie au lithium-ion atteint 70°C, son circuit de protection l'éteint et les quatre voyants clignent pendant quatre (4) minutes. Une fois sa température descendue en dessous de 65°C, la batterie reprend son fonctionnement normal.

Stockage

N'exposez pas le bloc-batterie à l'eau ni à la pluie sous peine de l'endommager.

Chargez la batterie à fond avant de la remiser. Pour une durée de vie optimale, stockez les batteries lithium-ion à température ambiante, dans un environnement sans humidité. Une perte de capacité définitive peut survenir si les batteries sont stockées pendant une longue période à haute température (plus de 49°C).

Maintenance

Maintenance et réparation

La réparation d'un outil demande un soin extrême et des connaissances approfondies. Les réparations doivent être uniquement effectuées par un technicien qualifié.

- Vérifiez toujours l'état de l'outil avant usage.
- Remplacez ou réparez les pièces endommagées avant usage. Vérifiez l'alignement des pièces en mouvement. Le frottement de pièces en mouvement ou de pièces cassées risque de compromettre le fonctionnement.
- Faites correctement réparer ou remplacer les pièces endommagées par un centre de réparation agréé.
- N'utilisez pas l'outil si le commutateur de marche/arrêt ne fonctionne pas.
- Prenez soin de vos outils. Maintenez vos outils secs, propres et dépourvus d'huile et de graisse pour une performance supérieure et plus de sécurité.
- Pour le centre de réparation Snap-on le plus proche, appelez le service clientèle Snap-on au 1-877-762-7664. (Amérique du Nord uniquement)
Northern Repair Center
3011 E Route 176
Crystal Lake IL 60014

(Hors Amérique du Nord)

Reportez-vous à la section Informations de contact à la page 95

- Lorsque vous rechargez ou déchargez une batterie lithium-ion pendant une courte période, la température interne de la batterie augmente sensiblement. Ceci est normal.
- Dans des conditions idéales d'utilisation, la durée de vie utile de cette batterie est de 1 000 cycles de charge/décharge environ. Un entretien et une maintenance impropres raccourciront la durée de vie de la batterie et sa durée de maintien de charge.
- Utilisez uniquement avec un équipement de recharge **Snap-on** qui spécifie une batterie série CTB.
- Évitez de court-circuiter la batterie. Risque de dommages irréversibles sous l'effet de la forte décharge de courant.

AVERTISSEMENT

- **Débranchez le chargeur de la prise secteur avant de commencer la procédure de démontage.**
- **Retirez la batterie de l'outil avant de commencer la procédure de démontage. Le court-circuit de la batterie risque de déclencher un incendie ou de causer des blessures.**
- **Utilisez l'équipement de sécurité. Portez toujours des lunettes de sécurité.**



CT9035/CT9038

Akku-Schlagschrauber

Sicherheitshinweise

Dieses Dokument enthält Sicherheitshinweise der Snap-on Tools Company, die für sicherheitsrelevante Situationen bei Betrieb, Wartung oder Reparatur von schnurlosen Werkzeugen gelten. Die Benutzer und Wartungstechniker tragen die Verantwortung dafür, sich mit den verwendeten Verfahren, Werkzeugen und Materialien vertraut zu machen und sich davon zu überzeugen, dass diese ihre eigene Sicherheit, die Sicherheit anderer Personen am Arbeitsplatz und das Werkzeug nicht gefährden.

Allgemeine Sicherheitshinweise für Elektrowerkzeuge



Beachten Sie alle Sicherheitshinweise, Anweisungen, Abbildungen und technischen Daten im Lieferumfang mit diesem Elektrowerkzeug. Werden nicht alle unten aufgelisteten Anweisungen befolgt, kann es zu Stromschlag, Brand und/oder schweren Verletzungen kommen.

ALLE SICHERHEITS- HINWEISE UND ANWEISUNGEN FÜR SPÄTERES NACHSCHLAGEN AUFBEWAHREN

Der in den Sicherheitshinweisen verwendete Begriff „Elektrowerkzeug“ bezieht sich auf Ihr netzstrombetriebenes Elektrowerkzeug (mit Netzkabel) bzw. Ihr akkubetriebenes Elektrowerkzeug (ohne Netzkabel).

Sicherheit im Arbeitsbereich

- Sorgen Sie stets für einen sauberen und gut beleuchteten Arbeitsbereich. *Unordentliche oder unzureichend beleuchtete Arbeitsbereiche sind für Unfälle besonders anfällig.*
- Benutzen Sie keine Elektrowerkzeuge in explosiven Umgebungen, z. B. in der Nähe von brennbaren Flüssigkeiten, Gasen oder Staubpartikeln. *Elektrowerkzeuge erzeugen Funken, die Staub oder Dämpfe entzünden können.*
- Kinder und andere Personen sind während des Betriebs von Elektrowerkzeugen aus dem Arbeitsbereich fernzuhalten. *Ablenkungen können dazu führen, dass Sie die Kontrolle über das Werkzeug verlieren.*

Elektrische Sicherheit

- Der Anschlussstecker des Elektrowerkzeugs muss in die Steckdose passen. Der Stecker darf in keiner Weise verändert werden. Für geerdete Elektrowerkzeuge dürfen keinesfalls Adapterstecker verwendet werden. *Nicht veränderte Stecker und adäquate Steckdosen reduzieren das Stromschlagrisiko.*
 - Ein Körperkontakt mit geerdeten Oberflächen, z. B. Rohren, Heizkörpern, Herden und Kühlschränken, ist zu vermeiden. *Ein geerdeter Körper verstärkt das Stromschlagrisiko.*
 - Elektrowerkzeuge dürfen weder Regen noch nassen Umgebungsbedingungen ausgesetzt werden. *In das Werkzeug eindringendes Wasser erhöht das Stromschlagrisiko.*
 - Das Kabel darf nicht zweckentfremdet werden. Verwenden Sie das Kabel niemals zum Tragen, Ziehen oder Herausziehen des Steckers. Halten Sie das Kabel von Wärmequellen, Öl, scharfen Kanten und beweglichen Teilen fern. *Beschädigte oder verhedderte Kabel erhöhen das Stromschlagrisiko.*
 - Beim Einsatz von Elektrowerkzeugen im Freien ist ein für den Außenbetrieb geeignetes Verlängerungskabel zu verwenden. *Die Verwendung eines Verlängerungskabels für den Außenbetrieb reduziert das Stromschlagrisiko.*
 - Wenn sich die Verwendung eines Elektrowerkzeugs in einer feuchten Umgebung nicht vermeiden lässt, verwenden Sie eine mit DIFFERENZSTROMSCHUTZSCHALTER geschützte Stromquelle. *Die Verwendung eines Differenzstromschutzschalters reduziert das Stromschlagrisiko.*
- AUSTRALIEN/NEUSEELAND:**
- Wenn sich die Verwendung eines Elektrowerkzeugs in einer feuchten Umgebung nicht vermeiden lässt, verwenden Sie eine mit FEHLERSTROMSCHUTZSCHALTER geschützte Stromquelle mit 30 mA oder weniger. *Die Verwendung eines Fehlerstromschutzschalters reduziert das Stromschlagrisiko.*

Persönliche Sicherheit

- **Konzentrieren Sie sich, arbeiten Sie mit Sorgfalt, und gehen Sie beim Arbeiten mit Elektrowerkzeugen mit Vernunft vor. Arbeiten Sie nicht mit Elektrowerkzeugen, wenn Sie müde sind, Alkohol getrunken oder Drogen oder Medikamente eingenommen haben.** *Ein einziger Augenblick der Unaufmerksamkeit bei der Arbeit mit Elektrowerkzeugen kann zu schweren Verletzungen führen.*
- **Verwenden Sie entsprechende Schutzvorrichtungen. Tragen Sie immer einen Augenschutz.** *Die Verwendung von Schutzvorrichtungen wie Staubmaske, Sicherheitsschuhe mit Antirutschsohle, Helm und Gehörschutz für die entsprechenden Umgebungen reduziert die Verletzungsgefahr.*
- **Vermeiden Sie ein versehentliches Starten des Geräts. Stellen Sie sicher, dass sich der Schalter in der AUS-Stellung befindet, bevor das Gerät am Netz und/oder am Akku angeschlossen, aufgehoben oder getragen wird.** *Das Tragen von Werkzeugen mit dem Finger auf dem Schalter oder das Anschließen von eingeschalteten Elektrowerkzeugen kann zu Unfällen führen.*
- **Nehmen Sie alle Einstellschlüssel oder Schraubenschlüssel ab, bevor Sie das Elektrowerkzeug einschalten.** *Ein an rotierenden Teilen des Elektrowerkzeugs belassener Schrauben- oder Einstellschlüssel kann zu Verletzungen führen.*
- **Halten Sie das Werkzeug nicht zu weit vom Körper weg. Achten Sie stets darauf, dass Sie sicher stehen und das Gleichgewicht halten.** *Dies ermöglicht eine bessere Kontrolle über das Elektrowerkzeug in unvorhergesehenen Situationen.*
- **Tragen Sie angemessene Kleidung. Tragen Sie keine lose sitzende Kleidung und keinen Schmuck. Haare, Kleidung und Handschuhe sind von sich bewegenden Teilen fernzuhalten.** *Lose sitzende Kleidung, Schmuck und lange Haare können sich in sich bewegenden Teilen verfangen.*
- **Beim Verwenden von Staubabscheide- und -auffangsystemen muss darauf geachtet werden, dass diese ordnungsgemäß angeschlossen und eingesetzt werden.** *Der Einsatz solcher Geräte kann die Gefahren im Zusammenhang mit Staub reduzieren.*
- **Lassen Sie sich nicht durch häufigen und vertrauten Gebrauch und von Werkzeugen dazu verführen, nachlässig zu werden und die Grundsätze der Werkzeugsicherheit zu ignorieren.** *Eine unvorsichtige Handlung kann innerhalb von Sekundenbruchteilen zu schweren Verletzungen führen.*

Verwendung und Pflege des Elektrowerkzeugs

- **Handhaben Sie das Elektrowerkzeug nicht mit Gewalt. Verwenden Sie das für den jeweiligen Zweck geeignete Elektrowerkzeug.** *Arbeiten, die mit dem korrekten Elektrowerkzeug erledigt werden, führen zu besserer Qualität, sorgen für mehr Sicherheit und werden mit der vorgesehenen Geschwindigkeit durchgeführt.*
- **Das Elektrowerkzeug darf nicht verwendet werden, wenn der Schalter nicht ein- und auszuschalten ist.** *Elektrowerkzeuge, die nicht über den Schalter ein- und ausgeschaltet werden können, stellen eine Gefahrenquelle dar und müssen repariert werden.*

- **Ziehen Sie den Stecker aus der Steckdose und/oder nehmen Sie den Akku heraus, bevor irgendwelche Einstellungen am Elektrowerkzeug vorgenommen werden, Zubehör gewechselt oder das Werkzeug gelagert wird.** *Solche vorbeugenden Maßnahmen reduzieren das Risiko eines versehentlichen Startens des Elektrowerkzeugs.*
- **Lagern Sie nicht verwendete Elektrowerkzeuge außer Reichweite von Kindern und lassen Sie das Elektrowerkzeug nicht von Personen, die nicht damit oder mit diesen Anweisungen vertraut sind, verwenden.** *Elektrowerkzeuge stellen eine Gefahrenquelle dar, wenn sie von ungeschulten Personen verwendet werden.*
- **Halten Sie Elektrowerkzeuge und Zubehör ordnungsgemäß instand. Prüfen Sie sie auf falsche Ausrichtung oder Klemmen von beweglichen Teilen oder auf andere Zustände, die den Betrieb des Elektrowerkzeugs beeinträchtigen könnten.** *Bei Beschädigungen muss das Elektrowerkzeug vor Verwendung repariert werden. Viele Unfälle werden von schlecht gewarteten Elektrowerkzeugen verursacht.*
- **Schneidwerkzeuge müssen scharf und sauber gehalten werden.** *Korrekt gewartete Schneidwerkzeuge mit scharfen Schneidkanten klemmen seltener und lassen sich leichter handhaben.*
- **Verwenden Sie das Elektrowerkzeug, das Zubehör und die Werkzeugsbits usw. entsprechend diesen Anweisungen und auf die für das jeweilige Elektrowerkzeug vorgesehene Art und Weise.** *Dabei müssen die jeweilige Arbeitsumgebung und die durchzuführende Arbeit in Betracht gezogen werden.*
- **Halten Sie den Griff trocken, sauber und frei von Öl und Fett.** *Rutschige Griffe und Griffflächen ermöglichen keine sichere Handhabung und Kontrolle des Werkzeugs in unerwarteten Situationen.*

Verwendung und Pflege des Akkus

- **Laden Sie den Akku nur mit dem vom Hersteller angegebenen Ladegerät auf.** *Die Verwendung von Ladegeräten, die für andere Akkus vorgesehen sind, kann eine Brandgefahr hervorrufen.*
- **Verwenden Sie Elektrowerkzeuge nur mit den speziell dafür vorgesehenen Akkus.** *Die Verwendung von anderen Akkus kann zur Verletzungs- oder Brandgefahr führen.*
- **Nicht verwendete Akkus sind von anderen Metallobjekten, z. B. Büroklammern, Münzen, Schlüsseln, Nägeln, Schrauben oder anderen Metallkleinteilen fernzuhalten, die eine Verbindung von einem Pol zum anderen herstellen können.** *Das Kurzschließen der Batteriepole kann Verbrennungen und Brände verursachen.*
- **Bei unsachgemäßem Gebrauch des Akkus kann Flüssigkeit austreten; Kontakt mit dieser Flüssigkeit muss vermieden werden.** *Bei versehentlichem Kontakt mit der Flüssigkeit muss die betroffene Stelle mit reichlich Wasser gewaschen werden. Wenn die Flüssigkeit mit den Augen in Kontakt kommt, muss zusätzlich ein Arzt aufgesucht werden.* *Die aus dem Akku austretende Flüssigkeit kann zu Reizungen oder Verbrennungen führen.*

- **Verwenden Sie keine beschädigten oder modifizierten Akkus oder Werkzeuge.** Beschädigte oder modifizierte Akkus können unvorhersehbares Verhalten zeigen und eine Brand-, Explosions- oder Verletzungsgefahr darstellen.
- **Setzen Sie den Akku oder das Werkzeug keinem Feuer oder übermäßigen Temperaturen aus.** Die Einwirkung von Feuer oder Temperaturen über 130°C (265°F) kann zu einer Explosion führen.
- **Befolgen Sie alle Anweisungen zum Laden und laden Sie den Akku oder das Werkzeug nicht außerhalb des in der Anleitung angegebenen Temperaturbereichs.** Unsachgemäßes Laden oder Temperaturen außerhalb des angegebenen Bereichs können den Akku beschädigen und die Brandgefahr erhöhen.

Wartung

- **Lassen Sie das Elektrowerkzeug von qualifizierten Technikern und ausschließlich mit identischen Ersatzteilen warten und reparieren.** Hierdurch wird sichergestellt, dass die Sicherheit des Elektrowerkzeugs aufrechterhalten bleibt.
- **Niemals beschädigte Akkus warten.** Akkus sollten nur vom Hersteller oder von autorisierten Serviceanbietern durchgeführt werden.

Spezielle Sicherheitsregeln

- **Halten Sie Elektrowerkzeuge an den isolierten Griffoberflächen, wenn eine Arbeit durchgeführt wird, bei der das Schneidwerkzeug mit verborgenen Kabeln in Kontakt kommen könnte.** Der Kontakt mit einer stromführenden Leitung führt dazu, dass freiliegende Metallteile des Werkzeugs unter Strom gesetzt werden und der Bediener einen Stromschlag erleidet.

Sicherheitshinweise für Akku-Schlagschrauber

ACHTUNG



Die unsachgemäße Verwendung von Elektrowerkzeugen und Zubehör kann zu Schäden an den Werkzeugen führen.

- **Lesen Sie vor der Arbeit mit Elektrowerkzeugen die jeweilige Betriebsanleitung.**
- **Achten Sie darauf, dass diese Anleitung dem Werkzeug beiliegt, wenn das Werkzeug von einem Benutzer an einen neuen oder weniger erfahrenen Benutzer weitergegeben wird.**
- **Etiketten nicht entfernen. Alle beschädigten Etiketten ersetzen.**

Beschädigte Werkzeuge können Verletzungen verursachen.



Akku-Werkzeuge können Funken erzeugen.

- **Schmieren oder reinigen Sie Werkzeuge nicht mit entflammaren oder flüchtigen Flüssigkeiten, z. B. Kerosin, Benzin, Diesel oder Flugzeugbenzin.**

Funken können Dämpfe entzünden und einen Brand verursachen.



Kontaminationsrisiko durch schädlichen Staub.

- **Tragen Sie bei der Arbeit mit stauberzeugenden Elektrowerkzeugen eine zugelassene Staubmaske oder ein Atemgerät.**

Das Einatmen gefährlicher Staubpartikel kann zu Gesundheitsschäden führen.



Bei der Verwendung von Elektrowerkzeugen können Partikel in die Umgebung geschleudert werden.

- **Daher sollten der Bediener und umstehende Personen Schutzbrillen tragen.**

Sich lösende und weggeschleuderte Teile können Verletzungen verursachen.



Elektrowerkzeuge verursachen Lärm.

- **Daher sollten der Bediener und umstehende Personen einen Gehörschutz tragen.**

Eine längere Lärmexposition kann zu Gehörschäden führen.



Elektrowerkzeuge vibrieren.

- **Vermeiden Sie eine anhaltende Vibrationsexposition, sich ständig wiederholende Bewegungen und unbequeme Positionen.**
- **Bei Unbehaglichkeit, Kribbelgefühl oder Schmerzen darf das Werkzeug nicht weiter benutzt werden. Wenden Sie sich vor der weiteren Verwendung des Werkzeugs an einen Arzt.**
- **Verwenden Sie das Werkzeug nicht, wenn es übermäßig vibriert, ungewöhnliche Geräusche macht, lose Teile aufweist oder andere Anzeichen von Beschädigungen aufweist.**
- **Falls Fehlfunktionen beim Werkzeug auftreten, nehmen Sie es außer Betrieb und wenden Sie sich an den Kundendienst, um es reparieren zu lassen.**

Eine anhaltende Vibrationsexposition, sich ständig wiederholende Bewegungen und unbequeme Positionen können zu Verletzungen führen.

Während der Verwendung des Werkzeugs können plötzliche Änderungen der Bewegung oder Position auftreten.

- **Erwarten und achten Sie auf Bewegungsänderungen während des Startens und während des Betriebs.**
- **Behalten Sie einen sicheren Griff bei.**
- **Sie sollten auf Reaktionskräfte vorbereitet sein. Sie sollten sicher stehen und das Werkzeug sicher halten.**
- **Achten Sie vor Verwendung des Werkzeugs auf die Position des Richtungsumkehrmechanismus und auf die Drehrichtung, wenn Sie den Auslöser drücken.**

Unvorhergesehene Änderungen der Bewegung oder Position können zu Verletzungen führen.



Verwicklungsgefahr.

- **Halten Sie Körperteile von rotierenden Teilen fern.**
- **Tragen Sie einen Haarschutz, um lange Haare aus der Gefahrenzone fernzuhalten.**
- **Halten Sie den Griff trocken, sauber und frei von Öl und Fett.**
- **Der Auslöser darf nicht in der EIN-Position arretiert oder mit Klebeband festgestellt werden.**
- **Entfernen Sie den Akku, bevor Sie Zubehörteile wechseln.**

Das Verwickeln von Kleidungsstücken oder anderen Gegenständen in Werkzeugteilen kann zu Verletzungen führen.

⚠️ ACHTUNG

- **Verwenden Sie nur Schlagschrauber-Stecknüsse und entsprechendes Zubehör mit diesen Schlagschraubern. Die Verwendung von Hand- oder Elektroschrauber-Stecknüssen führt zu vorzeitigem Versagen der Stecknuss und möglichen Verletzungen des Benutzers. Verwenden Sie keine abgeplatzen, gesprungenen oder schadhafte Stecknüsse oder Zubehörteile.**
- **Das Modell CT9035/CT9038 verfügt über einen Sperrring aus Edelstahl für die Festhaltung der Stecknüsse. Der Ring hält die Stecknuss durch Reibung fest. Wenn die Festhaltung der Stecknuss nachzulassen beginnt, muss der Ring u.U. regelmäßig ersetzt werden.**
- **Verwenden Sie nur flexible Stecknüsse mit Kugelgelenk. Die Verwendung von flexiblen Stecknüssen mit Vierkantblock kann zu Verletzungen führen, da sie nicht für Schlagschrauber konzipiert sind.**
- **Bei der Verwendung von Verlängerungen halten Sie den Schlagschrauber so, dass die Stecknuss gerade auf die Befestigung passt.**
- **Verwenden Sie Klemmen oder andere Hilfsmittel, um das bearbeitete Teil auf einer stabilen Oberfläche zu sichern.**

Das Halten des Werkstücks mit der Hand oder gegen den Körper ist instabil und kann dazu führen, dass Sie die Kontrolle über die Geräte verlieren.

Sicherheitshinweise für Akkus

⚠️ ACHTUNG



Explosions- oder Brandrisiko.

- **Lagern Sie das Werkzeug und den Akku nicht an Orten, an denen die Temperatur 49 °C erreichen oder überschreiten kann.**
- **Die CTC131A/CTCA131A/CTCEU131A/CTCJ131A Ladegeräte laden den Akku nicht auf, wenn die Temperatur unter 0 °C oder über 45 °C beträgt.**
- **Der Akku darf auch dann nicht verbrannt werden, wenn er stark beschädigt oder vollständig entladen ist. Der Akku kann im Feuer explodieren.**
- **Decken Sie nach dem Herausnehmen des Akkus die Batteriepole mit starkem Klebeband ab.**
- **Versuchen Sie nicht, den Akku oder dessen Komponenten zu zerstören oder zu zerlegen.**
- **Laden Sie den Akku nicht mit einem Motorgenerator oder einer Gleichstromquelle auf.**
- **Laden Sie den Akku in einem gut belüfteten Bereich auf.**

Explosionen und Flammen können zu Verletzungen führen.



Gefahr eines Stromschlags.

- **Der Akku darf nicht zerlegt werden.**
- **Der Akku darf nicht kurzgeschlossen werden.**
- **Laden Sie den Akku nur mit Snap-on Ladegeräten auf, die für den speziellen Akku vorgesehen sind.**
- **Nehmen Sie den Akku heraus, wenn das Werkzeug nicht verwendet wird und bevor es gewartet wird oder bevor Zubehörteile ausgetauscht werden.**
- **Laden Sie den Akku nicht mit einem Motorgenerator oder einer Gleichstromquelle auf.**

Stromschlag oder Feuer kann Verletzungen verursachen.



Verbrennungsgefahr.

- **Bei extrem langer Verwendung des Werkzeugs oder unter extremen Temperaturbedingungen kann Flüssigkeit aus dem Akku austreten.**
- **Bei unsachgemäßem Gebrauch des Akkus kann Flüssigkeit austreten; Kontakt mit dieser Flüssigkeit muss vermieden werden. Bei versehentlichem Kontakt mit der Flüssigkeit muss die betroffene Stelle mit reichlich Wasser gewaschen werden. Wenn die Flüssigkeit mit den Augen in Kontakt kommt, muss zusätzlich ein Arzt aufgesucht werden.**

Die aus dem Akku austretende Flüssigkeit kann zu Reizungen oder Verbrennungen führen.

- Stellen Sie sicher, dass sich der Schalter in der AUS-Stellung befindet, bevor der Akku eingelegt wird.

Das Einlegen des Akkus in ein eingeschaltetes Werkzeug kann leicht zu Unfällen führen.

- Nicht verwendete Akkus dürfen nicht in Taschen von Kleidungsstücken aufbewahrt werden.

Das Auslaufen des Akkus oder Funken können zu Verbrennungen oder Feuer führen.



Kurzschluss- und Brandrisiko.

- Den Akku nicht kurzschließen.
- Berühren Sie die Pole nicht mit leitendem Material.
- Vermeiden Sie die Lagerung des Akkus zusammen mit leitenden Materialien, z. B. Nägeln, Schrauben, Münzen und anderen Metallgegenständen.
- Tragen Sie Akkus nicht in Schürzen oder Taschen, die leitende Teile enthalten.

Kurzschlüsse können zu Feuer und schweren Verbrennungen führen.

Sicherheitshinweise für die Entsorgung des Akkus



Das **RBR™**-Etikett auf dem in diesem Produkt enthaltenen Lithium-Ionen-Akku weist darauf hin, dass **Snap-on** freiwillig an einem Industrieprogramm zum Sammeln und Recyceln dieser Akkus am Ende ihrer Nutzungsdauer teilnimmt

DE	When battery has reached end of life, please take it to your franchisee or a local battery recycler in accordance with local regulations. Customer Service Number: +49 2104 9509 0 Email: indus.germany@snapon.com
DE	Wenn die Batterie das Ende ihrer Lebensdauer erreicht hat, bringen Sie sie bitte zu Ihrem Vertragshändler oder einem örtlichen Batterie-Recyclingbetrieb entsprechend den örtlichen Vorschriften. Kundendienstnummer: +49 2104 9509 0 E-Mail: indus.germany@snapon.com

Die Beteiligung von **Snap-on** an diesem Programm ist Teil der Verpflichtung des Unternehmens zum Schutz der Umwelt und zur Erhaltung von Bodenschätzen.

FCC-Bestimmungen



Dieses Gerät erfüllt den Abschnitt 15, Unterabschnitt B der FCC-Bestimmungen. Der Betrieb unterliegt den beiden folgenden Bedingungen:

1. Dieses Gerät darf keine schädlichen Störungen verursachen und
2. Dieses Gerät muss alle empfangenen Störsignale annehmen, einschl. der Störungen, die eine unerwünschte Bedienfunktion hervorrufen können.

ACHTUNG



Explosions- oder Brandrisiko.

- Gebrauchte Akkus nicht wegwerfen! Geben Sie den Akku zwecks Recycling an ein autorisiertes **Snap-on** Reparatur-Center zurück.

Explosionen und Flammen können zu Verletzungen führen.



Brandgefahr.

- Versuchen Sie nicht, den Akku zu zerlegen oder an den Polen hervorstehende Komponenten zu entfernen.
- Schützen Sie vor dem Recycling die freiliegenden Pole mit starkem Isolierband, um Kurzschlüsse zu verhindern.

Feuer kann zu Verletzungen führen.

Sicherheitshinweise für das Akkuladegerät

ACHTUNG



Stromschlag- und Brandrisiko.

- Legen Sie den Akku nicht in das Ladegerät mit einem geschwungenen oder anderweitig beschädigten Gehäuse ein.

Stromschlag und Feuer können Verletzungen verursachen.

- Zur Reduzierung der Stromschlaggefahr verfügt das Netzkabel (nur für USA-Version) über einen polarisierten Stecker (ein Kontaktstift ist breiter als der andere). Dieser Stecker passt nur in einer Ausrichtung in eine polarisierte Steckdose. Wenn der Stecker nicht vollständig in die Steckdose passt, drehen Sie den Stecker um. Wenn er dann immer noch nicht passt, lassen Sie sich von einem Elektriker eine geeignete Steckdose installieren. Verändern Sie den Stecker in keiner Weise.

- Verwenden Sie die Ladegeräte CTC131A/CTCA131A/CTCEU131A/CTCJ131A nur mit den aufladbaren Akkus CTB8185BK/CTB8187/CTB8172BK/CTB8174/CTB185/CTB1856; das Laden von Batterien anderer Art kann zum Explodieren der Batterien und zu Verletzungen und Sachschäden führen.

- Bei unsachgemäßem Gebrauch des Akkus kann Flüssigkeit austreten; Kontakt mit dieser Flüssigkeit muss vermieden werden. Bei versehentlichem Kontakt mit der Flüssigkeit muss die betroffene Stelle mit reichlich Wasser gewaschen werden. Wenn die Flüssigkeit mit den Augen in Kontakt kommt, muss zusätzlich ein Arzt aufgesucht werden.

Die aus dem Akku austretende Flüssigkeit kann zu Reizungen oder Verbrennungen führen.

- Versuchen Sie niemals, zwei Ladegeräte miteinander zu verbinden.
- Das Ladegerät darf weder Regen noch Schnee ausgesetzt werden.
- Ziehen Sie zum Ausstecken des Ladegeräts am Stecker und nicht am Kabel.
- Achten Sie darauf, dass niemand auf das Kabel treten oder darüber stolpern kann und dass es nicht beschädigt und nicht daran gezogen wird.



Explosionsgefahr.

- Benutzer und umstehende Personen sollten Schutzbrillen tragen.

Explosionen können zu Augenverletzungen führen.



Die unsachgemäße Verwendung von Elektrowerkzeugen und Zubehör kann zu Schäden an den Werkzeugen führen.

- Lesen Sie vor der Verwendung des Ladegeräts alle Anweisungen und Vorsichtshinweise auf dem Ladegerät, dem Akku und dem Produkt.

Beschädigte Werkzeuge können Verletzungen verursachen.

WICHTIGE SICHERHEITS- HINWEISE



Stromschlag- und Brandrisiko.

GEFAHR—UM DAS BRAND- ODER STROMSCHLAGRISIKO ZU REDUZIEREN, LESEN SIE SORGFÄLTIG DIESE ANWEISUNGEN.

- Dieses Handbuch enthält wichtige Sicherheits- und Betriebsanleitungen für das Akkuladegerät CTC131A/CTCA131A/CTCEU131A/CTCJ131A von Snap-on.
- Lesen Sie vor der Verwendung des Akkuladegeräts alle Anweisungen und Vorsichtshinweise auf dem Akkuladegerät, dem Akku und dem Produkt.
- VORSICHT**—Um die Verletzungsgefahr zu verringern, dürfen nur aufladbare Akkus vom Typ CTB8185BK/CTB8187/CTB8172BK/CTB8174/CTB185/CTB1856 geladen werden. Andere Arten von Akkus oder Batterien können platzen und Verletzungen und Schäden hervorrufen.
- Das Ladegerät darf weder Regen, Feuchtigkeit noch Schnee ausgesetzt werden.
- Die Verwendung eines Adapters, der nicht vom Hersteller des Ladegeräts empfohlen oder verkauft wird, kann zu einem Brand-, Stromschlag- oder Verletzungsrisiko führen.
- Um das Risiko von Schäden am Kabel zu reduzieren, ziehen Sie am Stecker statt am Kabel, um das Ladegerät vom Netz zu trennen.
- Stellen Sie sicher, dass auf das Kabel nicht getreten oder darüber gestolpert werden kann oder dass es anderweitig beschädigt oder belastet werden kann.
- Benutzen Sie das Ladegerät nicht mit einem beschädigtem Kabel – ersetzen Sie es sofort.
 - Das Kabel des CTC131A/CTCA131A/CTCEU131A/CTCJ131A Ladegeräts darf nur durch ein identisches Kabel von **Snap-on** ersetzt werden
- Benutzen Sie das Ladegerät nicht, wenn es einen harten Schlag erhalten hat, fallen gelassen wurde oder sonst wie beschädigt ist; bringen Sie es zu einem qualifizierten Servicetechniker.
- Das Ladegerät nicht zerlegen. Wenden Sie sich an einen qualifizierten Servicetechniker, wenn eine Wartung oder Reparatur erforderlich ist. Falscher Zusammenbau kann zu einem Stromschlag- oder Brandrisiko führen.
- Zur Verringerung des Stromschlagrisikos trennen Sie das Ladegerät vom Netz, bevor Sie Wartungs- oder Reinigungsarbeiten vornehmen. Durch Ausschalten der Bedienelemente wird dieses Risiko nicht verringert.
- Das Ladegerät ist nicht für die Verwendung durch Personen (einschließlich Kindern) mit eingeschränkten physischen, sensorischen oder geistigen Fähigkeiten oder Mangel an Erfahrung und Wissen bestimmt, sofern sie nicht angemessen beaufsichtigt werden oder ausführlich in der Benutzung des Ladegeräts durch eine für ihre Sicherheit verantwortliche Person unterwiesen wurden.
- Kinder sollten beaufsichtigt werden, um sicherzustellen, dass sie nicht mit dem Gerät spielen.
- Nicht wiederaufladbare Batterien dürfen nicht wieder aufgeladen werden.
- Versuchen Sie niemals, zwei Ladegeräte miteinander zu verbinden.
- Lassen Sie das Ladegerät von einem qualifizierten Techniker und ausschließlich mit identischen Ersatzteilen warten und reparieren. Hierdurch wird sichergestellt, dass die Sicherheit des Ladegeräts aufrechterhalten bleibt.

17. Den Standort des nächstgelegenen **Snap-on** Reparatur-Centers erfahren Sie telefonisch vom **Snap-on** Kundendienst unter +1-877-762-7664.
18. Um die Gefahr einer Explosion des Akkus zu verringern, befolgen Sie diese Anweisungen und die auf dem Akku markierten Hinweise.
19. Keinesfalls rauchen oder offene Funken oder Flammen in der Nähe des Akkus oder des Motors zulassen.
20. Niemals einen gefrorenen Akku aufladen.
21. Verwenden Sie das Ladegerät nicht in einem geschlossenen Bereich oder bei irgendeiner eingeschränkter Lüftung.
22. Verwenden Sie ein Verlängerungskabel nur, wenn es unbedingt notwendig ist. Wenn ein Verlängerungskabel verwendet werden muss, stellen Sie sicher, dass:

- das Verlängerungskabel die gleiche Anzahl, Größe und Form der Kontaktstifte wie der Stecker am Ladegerät aufweist,
- das Verlängerungskabel korrekt verdreht ist und sich in einem einwandfreien elektrischen Zustand befindet.
- der Kabelquerschnitt groß genug für die Amperezahl des Ladegeräts ist, wie folgt.

100-120-Volt-Ladegerät Kabellänge (Fuß)	Leiterstärke (AWG)
25	18
50	18
100	18
220-240-Volt-Ladegerät Kabellänge (m)	Leiterstärke (mm)
50	0,75
75	1,0

Empfohlene Länge des Verlängerungskabels

BEWAHREN SIE DIESE ANLEITUNG AUF

Funktionsbeschreibung

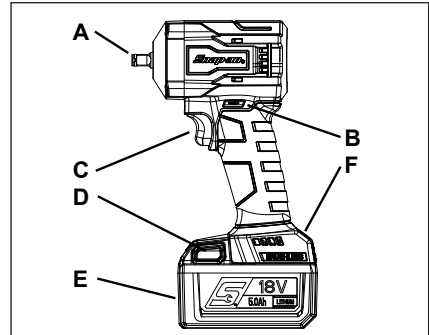


Abbildung 1: Akku-Schlagschrauber

- A. Reibungsring-Werkzeugaufnahme
- B. Vorwärts-/Rückwärtstaste
- C. Auslöser
- D. Entriegelungstaste
- E. Akku
- F. Leistungseinstellungen

Technische Daten

Technische Daten Schlagschrauber

Größe des Innenvierkants
 CT9035..... .13 mm (1/2")
 CT9038..... .10 mm (3/8")

Anzugsdrehmoment 370 N•m

Schraubenlosbrechmoment..... 712 N•m

Freilaufdrehzahl 2050 min-1

Schläge pro Minute 3300 min-1

Motorspannung 18,0 V

Gewicht mit Akku (Lithium-Ion) 2,0 kg

Geräuschemission* (getestet nach EN 62841)

CT9035
 Schalldruckpegel (A).....93,8 dB

Ungewissheit, K0,84 dB

Schallleistungspegel (A)105,4 dB

Ungewissheit, K0,84 dB

CT9038
 Schalldruckpegel (A).....95,3 dB

Ungewissheit, K0,45 dB

Schallleistungspegel (A)106,9 dB

Ungewissheit, K0,45 dB

Schwingungsemission* (getestet nach EN 62841)

CT9035
 Vibrationspegel.....4,91 m/s²

Ungewissheit, K0,71 m/s²

CT9038
 Vibrationspegel.....6,62 m/s²

Ungewissheit, K1,37 m/s²

**HINWEIS: Der (die) angegebene(n) Vibrationsgesamtwert(e) und der (die) angegebene(n) Geräuschemissionswert(e) wurden nach einem genormten Prüfverfahren gemessen und können zum Vergleich eines Werkzeugs mit einem anderen verwendet werden. Der/die angegebene(n) Gesamtvibrationswert(e) und der/die angegebene(n) Geräuschemissionswert(e) können auch für eine vorläufige Bewertung der Belastung verwendet werden.*









ACHTUNG

Die Vibrations- und Geräuschemissionen beim tatsächlichen Einsatz des Werkzeugs können von den angegebenen Werten abweichen, je nachdem, wie das Werkzeug eingesetzt wird und insbesondere was für Werkstücke bearbeitet werden. Ermitteln Sie Sicherheitsmaßnahmen zum Schutz des Bedieners durch Abschätzen der Belastung unter tatsächlichen Einsatzbedingungen (unter Berücksichtigung aller Phasen des Arbeitszyklus wie z. B. der Zeiten, in denen das Werkzeug ausgeschaltet ist sowie wenn es ohne Last läuft, zusätzlich zur Auslösezeit).

Snap-on übernimmt keine Haftung für die Folgen der Verwendung der deklarierten Werte, anstelle von Werten, die die in einer individuellen Gefährdungsbeurteilung ermittelte tatsächliche Exposition in einer Arbeitsplatzsituation widerspiegeln, über die wir keinen Einfluss haben.

Symbole

SYMBOLLE	
	SIEHE BEDIENUNGSANLEITUNG
	AUGENSCHUTZ TRAGEN
	GEHÖRSCHUTZ TRAGEN
	VIBRATIONSGEFAHR
V	VOLT
— — —	GLEICHSTROM
n_0 xxx/min	LEERLAUFDREHZAHL

	CE-KENNZEICHNUNG
	USA – KANADA UL SOLUTIONS
	USA – KANADA UL SOLUTIONS
	FCC FEDERAL COMMUNICATIONS PROVISION
	JAPAN ELEKTRISCHE SICHERHEIT TUV RHEINLAND
	DOPPELISOLIERUNG
BFP	SCHUTZ GEGEN SPANNUNGSRÜCKSPEISUNG
	AKKU SACHGERECHT ENTSORGEN
	NICHT IN DEN MÜLL WERFEN
	CALIFORNIA - TITLE 20 KONFORM
UK CA	UKCA- (UK CONFORMITY ASSESSED) KENNZEICHNUNG
	RCM (ZEICHEN FÜR DIE EINHALTUNG DER RECHTSVORSCHRIFTEN)

Technische Daten des Akkus

	CTB185/ CTB8187	CTB1856
Typ	Lithium-Ionen	Lithium-Ionen
Spannung	18 V- (3,6 V x 5 Zellenpaare)	18 V- (3,6 V x 5 Zellenpaare)
Gewicht	ca. 0,68 kg	ca. 0,68 kg
Ladedauer	Siehe Abschnitt Laden des Akkus	
Lebensdauer	1000 Zyklen (1 Zyklus = 1 Aufladung + 1 Entladung)	
Kapazität	5,0 Ah	5,6 Ah
Entladetemperaturbereich	-20 °C bis 60 °C	

Technische Daten des Akku-Ladegerätes

	CTC131A/CTCA131A/ CTCEU131A/CTCJ131A
Eingang	100-240V, 50/60 Hz
Ausgang	5,0 A
Ausgang USB-Stromanschluss	5,0 V- bei 0,5 A
Gewicht	ca. 0,95 kg
Ladetemperaturbereich	0 °C bis 45 °C

Betrieb

Der **Snap-on** Akku-Schlagschrauber ist ideal für das Anbringen einer Vielzahl verschiedener Befestigungen im Automobil- und industriellen Bereich geeignet. Bei der Verwendung mit **Snap-on** Schlagschrauber-Stecknüssen bietet er Leistung und Geschwindigkeit für höhere Arbeitseffizienz mit weniger Ermüdung des Bedieners. Der Schlagschrauber ermöglicht außerdem eine Bewegungsfreiheit, die in der Regel nicht mit Produkten zur Verfügung steht, die auf Luftschläuche oder Stromkabel angewiesen sind.

Anwendung

Reibungsring-Werkzeugaufnahme

1. Stellen Sie beim Einsetzen einer Schlagschrauber-Stecknuss den Vorwärts-/Rückwärts-Schalter in die mittlere Position, um ein versehentliches Starten des

Werkzeugs zu vermeiden, oder entfernen Sie den Akku.

2. Richten Sie den Vierkant der Stecknuss auf das Vierkantloch am Ende der Werkzeugaufnahme aus.
3. Schieben Sie die Stecknuss bis zum Anschlag über den Reibungsring.
4. Zum Entfernen der Schlagschrauber-Stecknuss fassen Sie diese fest an und schieben sie von der Werkzeugaufnahme ab.

Diese Art von Werkzeugaufnahme ist für häufiges Wechseln von Stecknüssen geeignet, zum Beispiel in einer Autowerkstatt.

Verwendung des Geschwindigkeitswählers

Die Drehzahlwahltaaste dient zur Einstellung von Ambossdrehzahl, Schlagfrequenz und Drehmoment.

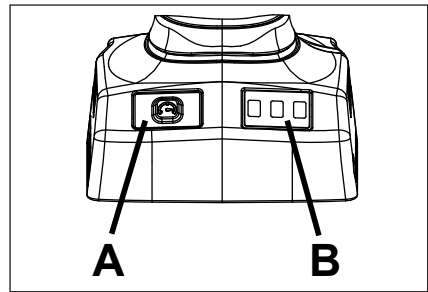


Abbildung 2: Drehzahlwähler

Die Geschwindigkeitseinstellungen können unabhängig voneinander für CCW (rückwärts) und CW (vorwärts) eingestellt werden. Dadurch können Befestigungselemente mit voller Geschwindigkeit entfernt und mit verbesserter Steuerung bei geringerer Geschwindigkeit wieder eingedreht werden.

1. Auslöser kurz betätigen, um das Werkzeug einzuschalten. Die aktuell eingestellte Drehzahl wird entsprechend der Tabelle unten angezeigt.
2. Den Drehzahlwähler wiederholt drücken, um einen der drei (3) Drehzahl-Modi auszuwählen. Wenn die gewünschte DrehzahlEinstellung leuchtet, können Sie mit der Arbeit beginnen.

EIN- STEL- LUNG	DREHZAH- BEREICH	GE- SCHWIN- DIGKEIT	SCHLAG- FRE- QUENZ	DREH- MO- MENT % *
1	● ○ ○	0-1000	0-2000	0-25%
2	● ● ○	0-1525	0-2850	0-50%
3	● ● ●	0-2050	0-3150	0-100%

* Auswirkung auf das Drehmoment in % bei Verwendung einer 3/8"-Sechskantschraube. Verwenden Sie zur Überprüfung des Drehmoments stets einen Drehmomentschlüssel.

LICHTFARBE	RICHTUNG
Grün	CCW (linksdrehend / rückwärts)
Rot	CW (rechtsdrehend / vorwärts)

Vorwärts-/Rückwärtsschalter

Mit dem Vorwärts-/Rückwärtsschalter wird die Drehrichtung der Werkzeugaufnahme nach links oder rechts eingestellt.

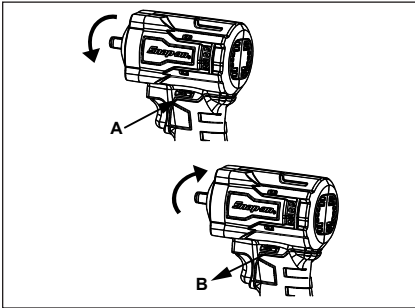


Abbildung 3: Vorwärts-/Rückwärtsschalter

- A. Drücken Sie den Schalter für die Rückwärtsdrehung (Linkslauf).
 B. Lassen Sie den Schalter für die Vorwärtsdrehung (Rechtslauf) los.

So ändern Sie die Drehrichtung der Werkzeugaufnahme:

- Stellen Sie sicher, dass der Schlagschrauber stillsteht und nicht im Betrieb ist.
- Die Stellung des Vorwärts-/Rückwärtsschalters bestimmt die Drehrichtung der Werkzeugaufnahme. Wenn das Werkzeug wie oben dargestellt positioniert ist, lauten die Schalterpositionen wie folgt:
 - Vorwärts (B) – die Werkzeugaufnahme dreht sich im Uhrzeigersinn (Rechtslauf).
 - Rückwärts (A) – die Werkzeugaufnahme dreht sich entgegen dem Uhrzeigersinn (Linkslauf).
- Für den Betrieb des Werkzeugs muss sich der Schalter entweder in der Vorwärts- oder Rückwärtsposition befinden. In der mittleren Position ist der Schalter gesperrt.

Auslöser

Zum Drehen der Werkzeugaufnahme drücken Sie auf den Auslöser. Für den Betrieb des Werkzeugs muss sich der Hebel in der Vorwärts- oder Rückwärtsposition befinden. Der Auslöser kann in der AUS-Position gesperrt werden. Wenn der Auslöser in der AUS-Position gesperrt ist, kann der Schlagschrauber bei Nichtgebrauch nicht ohne weiteres versehentlich eingeschaltet werden. Stellen Sie den Hebel in die mittlere Position, um den Auslöser zu sperren. Sperren Sie den Auslöser, wenn der Schlagschrauber nicht verwendet wird.

Überlastung

Wenn das Werkzeug aus irgendeinem Grund überlastet wird und übermäßige Erhitzung des Schalters oder des Akkus auftritt, bewirkt die interne Elektronik, dass sich das Werkzeug außer Betrieb setzt. Dies ist eine Sicherheitsfunktion, die Überhitzung des Werkzeugs vermeidet. Lassen Sie den Auslöser los, um den Betrieb wieder aufzunehmen.

- Akku-Übertemperatur – alle 4 LEDs auf dem Akku blinken. Das bedeutet, dass die interne Temperatur des Akkus zu hoch ist und der Betrieb gestoppt wird, um die Lebensdauer des Akkus und des Werkzeugs zu bewahren. Die LEDs blinken nach jeder Betätigung des Auslösers vier (4) Minuten lang, bis die Temperatur auf ein akzeptables Niveau abgesunken ist. Durch Fremdkühlung mit einem Ventilator kann die Abkühlung des Akkus oder des Werkzeugs beschleunigt werden.
- Werkzeug-Übertemperatur – die Beleuchtungs-LED blinkt. Wird das Werkzeug einer starken Dauerbelastung ausgesetzt, kann die maximal zulässige Temperatur des Schalters erreicht werden und das Werkzeug wird vorübergehend abgeschaltet. Lassen Sie das Werkzeug durch Luft abkühlen, bevor Sie den Betrieb wieder aufnehmen.

Aufladen des Akkus

- Stecken Sie das Netzkabel in die Buchse des Ladegeräts ein.
- Stecken Sie das andere Ende des Kabels in die Netzsteckdose ein.
- Legen Sie den Akku in das Ladegerät ein. Platzieren Sie den Akku so, dass er oben bündig mit dem Ladegerät abschließt.
 - Die grüne Lampe beginnt zu blinken. Dies bedeutet, dass das Ladegerät den Akku auflädt.
- Die Akkuanzeige zeigt den Ladezustand als Prozentwert (%) an.
 - Wenn der Akku 25 % aufgeladen ist, leuchtet eine Lampe grün.

Batteriepack	CTC131A/CTCA131A/ CTCEU131A/CTCJ131A Ladegerät
CTB185/CTB8187	~ 90 min
CTB1856	~ 100 min

- Nach Abschluss der Schnellladung leuchten alle vier (4) Lampen am Akku grün, um anzuzeigen, dass der Akku voll aufgeladen ist; am Ladegerät leuchtet eine grüne Lampe.
- Falls die LED auf der rechten Seite gelb blinkt, ist der Akku entweder zu heiß oder zu kalt. Zu heiße oder zu kalte Akkus können nicht im Schnellverfahren aufgeladen werden. Wenn die Akkumtemperatur zwischen

0 °C und 45 °C liegt, schaltet das Ladegerät in den Schnelllademodus.

7. Blinkt die LED auf der rechten Seite rot, ist der Akku defekt und es erfolgt keine Aufladung.
8. Wenn die Schnellladung abgeschlossen ist, erkennt das Ladegerät die Spannung im Akku und schaltet sofort ab, um ein Überladen zu verhindern. Alle vier Lampen an der Akkuanzeige leuchten; am Ladegerät leuchtet eine grüne Lampe.
9. Das Ladegerät verfügt über einen USB-Anschluss, an dem der Ausgangsstrom 0,5 A und die Ausgangsspannung 5 V- betragen. Kein Gerät anschließen, das mehr als 0,5 A erfordert.

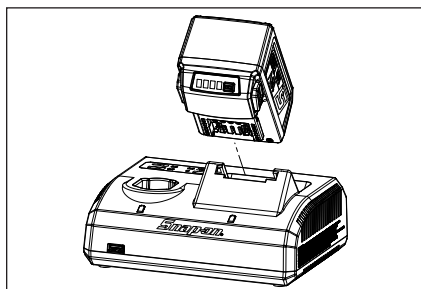


Abbildung 4: Einlegen des Akkus

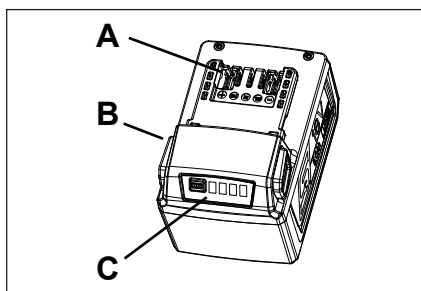


Abbildung 5: Akku (CTB185/CTB1856)

- A. Anschlusskontakt
- B. Verriegelungsknopf
- C. Akkuanzeige

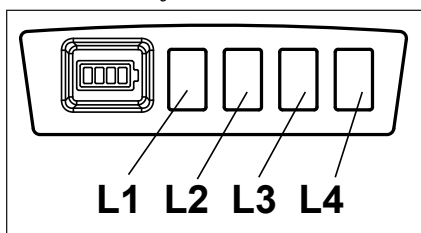


Abbildung 6: Akkuanzeige (CTB185/CTB1856)

- L1 – Dauerleuchten 25 % aufgeladen
- L2 – Dauerleuchten 50 % aufgeladen
- L3 – Dauerleuchten 75 % aufgeladen
- L4 – Dauerleuchten 100 % aufgeladen

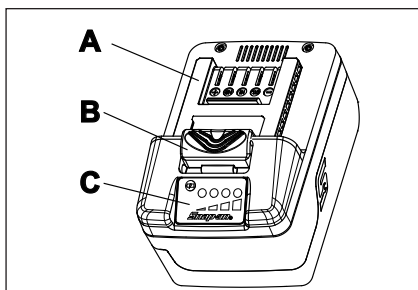


Abbildung 7: Akku (CTB8187)

- A. Anschlusskontakt
- B. Verriegelungsknopf
- C. Akkuanzeige

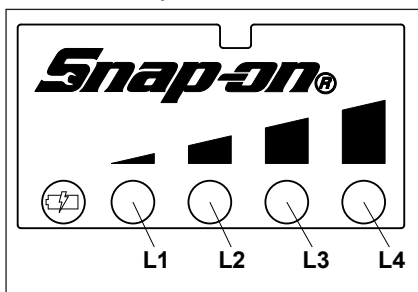


Abbildung 8: Akkuanzeige (CTB8187)

- L1 – Dauerleuchten 25 % aufgeladen
- L2 – Dauerleuchten 50 % aufgeladen
- L3 – Dauerleuchten 75 % aufgeladen
- L4 – Dauerleuchten 100 % aufgeladen

Akku

Akkuanzeige

Drücken Sie die Taste der Akkuanzeige. Die Anzeige leuchtet auf und zeigt die verbleibende Ladung des Akkus an. Die Lampen bleiben 5 Sekunden lang erleuchtet.

Hinweis: Wenn die Akkuanzeige L1 blinkt, muss der Akku aufgeladen werden.

Ladezykluszähler

Drücken Sie zehn (10) Sekunden lang die Taste der Akkuanzeige, um den Ladezykluszähler abzulesen.

Die Anzahl der Ladezyklen lässt sich anhand der Blinkzahlen ermitteln.

Beispiel 1:

- L1 – blinkt ein (1) Mal
- L2 – blinkt drei (3) Mal
- L3 – blinkt vier (4) Mal
- L4 – blinkt fünf (5) Mal

Dies bedeutet, dass der Akku 1.345 Mal aufgeladen wurde.

Beispiel 2:

- L1 – kein Blinken
- L2 – blinkt sechs (6) Mal
- L3 – blinkt sieben (7) Mal
- L4 – blinkt acht (8) Mal

Dies bedeutet, dass der Akku 678 Mal aufgeladen wurde.

Akku-Schutzeinrichtungen

Zur Maximierung der Leistung und Lebensdauer des Akkus überwacht die Schutzschaltung des Lithium-Ionen-Akkus dessen Spannung, Abgabestromstärke und Temperatur. Fällt die Akkuspannung unter den nutzbaren Bereich, wird der Akku abgeschaltet, und die erste LED blinkt zehn (10) Sekunden lang. Der Akku muss aufgeladen werden. Wenn der Abgabeleistungsgrenzwert des Akkus aufgrund von übermäßiger Last überschritten wird, schaltet die Schutzschaltung das Werkzeug ab. Das Werkzeug kann sofort wieder in Betrieb genommen werden.

Betrieb bei kaltem Wetter

Der Lithium-Ionen-Akku kann bei tiefen Temperaturen bis zu -20 °C verwendet werden. Wenn der Akku sehr kalt ist, lassen Sie das Werkzeug ohne Last laufen, um den Akku aufzuwärmen. Anschließend können Sie das Werkzeug normal verwenden.

Betrieb bei heißem Wetter

Erreicht die Temperatur des Lithium-Ionen-Akkus 70 °C, schaltet die Schutzschaltung den Akku ab, und alle vier LEDs blinken vier (4) Minuten lang. Sobald der Akku auf unter 65 °C abgekühlt ist, nimmt er den normalen Betrieb wieder auf.

Aufbewahrung

Setzen Sie den Akku weder Regen noch Wasser aus; dies könnte den Akku beschädigen.

Laden Sie den Akku vor der Einlagerung vollständig auf. Für optimale Lebensdauer lagern Sie alle Lithium-Ionen-Akkus bei Raumtemperatur von Feuchtigkeit entfernt. Akkus können durch lange Aufbewahrung bei hohen Temperaturen (über 49 °C) ihre Kapazität dauerhaft verlieren.

Pflege

Wartung

Die Durchführung von Servicearbeiten an Werkzeugen erfordert äußerste Aufmerksamkeit und Fachwissen. Daher sollten Servicearbeiten nur von einem qualifizierten Servicetechniker durchgeführt werden.

- Untersuchen Sie das Werkzeug vor dem Gebrauch stets auf beschädigte Teile.
- Beschädigte Teile müssen vor dem Gebrauch des Werkzeugs ersetzt oder repariert werden. Prüfen Sie die Ausrichtung beweglicher Teile. Das Verklemmen beweglicher oder beschädigter Teile kann den Betrieb beeinträchtigen.
- Lassen Sie beschädigte Teile ordnungsgemäß von einem autorisierten Service-Center ersetzen oder reparieren.
- Verwenden Sie das Werkzeug nicht, wenn es durch den Schalter nicht ein- und ausgeschaltet werden kann.
- Halten Sie Werkzeuge ordnungsgemäß Instand. Halten Sie Werkzeuge trocken, sauber und frei von Öl und Fett für bessere und sicherere Leistung.
- Den Standort des nächstgelegenen **Snap-on** Reparatur-Centers erfahren Sie telefonisch vom Snap-on Kundendienst unter +1-877-762-7664.
(Nur Nordamerika)
Northern Repair Center
3011 E Route 176
Crystal Lake IL 60014

(Außerhalb Nordamerikas)

Siehe Abschnitt „Kontaktinformationen“ auf Seite 95

- Beim Auf- oder Entladen eines Lithium-Ionen-Akkus über einen kurzen Zeitraum steigt die interne Temperatur des Akkus stark an. Das ist normal.
- Unter optimalen Arbeitsbedingungen beträgt die Lebenszeit des Lithium-Ionen-Akkus ca. 1000 Lade-/Entladezyklen. Eine unsachgemäße Pflege und Wartung verkürzt die Akkulbenszeit und die Dauer der Aufrechterhaltung der Ladung.
- Verwenden Sie den Akku nur mit **Snap-on**-Ladegeräten, die für Akkus der Serie CTB vorgesehen sind.
- Ein Kurzschließen des Akkus ist zu vermeiden. Durch den hohen Entladestrom könnte der Akku bleibenden Schaden erleiden.

ACHTUNG

- **Vor dem Auseinanderbau ist das Ladegerät von der Steckdose zu trennen.**
- **Vor dem Auseinanderbau ist der Akku vom Werkzeug abzunehmen. Das Kurzschließen des Akkus kann einen Brand verursachen oder zu Verletzungen führen.**
- **Verwenden Sie entsprechende Sicherheitsvorrichtungen. Tragen Sie immer einen Augenschutz.**



Avvisi cautelari

La **Snap-on Tools Company** offre avvisi cautelari per situazioni che possono ragionevolmente verificarsi durante l'utilizzo, la manutenzione o le riparazioni degli utensili a batteria. Spetta agli operatori e ai tecnici che si occupano della manutenzione tenersi al corrente delle procedure, degli utensili e dei materiali utilizzati, nonché verificare che le procedure, gli utensili e i materiali non compromettano la propria sicurezza, quella delle altre persone presenti nell'area di lavoro o la funzionalità dell'utensile stesso.

Avvertenze cautelari generali sull'utilizzo di elettroutensili



Leggere tutti gli avvisi di sicurezza, le istruzioni, le illustrazioni e le caratteristiche tecniche in dotazione a questo utensile a motore. La mancata osservanza delle avvertenze e delle istruzioni può causare scosse elettriche, incendi e/o gravi infortuni.

CONSERVARE TUTTE LE AVVERTENZE E LE ISTRUZIONI IN UN LUOGO DI FACILE ACCESSO

Il termine "elettroutensile" contenuto nelle avvertenze si riferisce agli utensili alimentati via filo da una presa elettrica e a quelli senza filo alimentati a batteria.

Sicurezza dell'area di lavoro

- Tenere l'area di lavoro pulita e bene illuminata. Zone buie e in disordine accrescono la probabilità di incidenti.
- Non utilizzare elettroutensili in atmosfere esplosive come, ad esempio, in presenza di liquidi, gas o polveri infiammabili. Gli elettroutensili provocano scintille che in alcuni casi potrebbero incendiare polvere o fumi.
- Tenere lontano gli estranei e soprattutto i bambini mentre si utilizzano gli elettroutensili. Se ci si distrae, si potrebbe perdere il controllo dell'utensile.

Sicurezza elettrica

- Le spine degli elettroutensili devono essere compatibili con le prese di corrente. Non modificare mai le spine originali. Non utilizzare adattatori quando si usano elettroutensili con messa a terra. L'impiego di spine non modificate e delle corrispondenti prese di corrente riduce il rischio di scosse elettriche.
- Evitare il contatto tra il corpo e superfici dotate di messa a terra come ad esempio tubi, termosifoni, cucine e frigoriferi. Il rischio di scossa elettrica aumenta se il corpo dell'operatore si trova a contatto con la messa a terra.
- Non esporre gli elettroutensili alla pioggia o all'umidità. L'eventuale penetrazione di acqua all'interno di un elettroutensile aumenta il rischio di scosse elettriche.
- Non usare il cavo elettrico in modo inappropriato. Non utilizzare mai il cavo elettrico per il trasporto dell'utensile o per staccare lo strumento dalla presa. Tenere il cavo elettrico lontano da fonti di calore, olio, spigoli o parti in movimento. Cavi danneggiati o aggrovigliati aumentano il rischio di scosse elettriche.
- Quando l'elettroutensile viene utilizzato in ambienti esterni, si consiglia di usare una prolunga adatta a quello scopo. L'impiego di un cavo elettrico appropriato negli ambienti esterni riduce il rischio di scosse elettriche.
- Qualora fosse inevitabile l'uso di un elettroutensile in un luogo umido, usare un INTERRUTTORE DIFFERENZIALE SUL CIRCUITO DI ALIMENTAZIONE. L'uso di un interruttore differenziale riduce il pericolo di scosse elettriche.

AUSTRALIA/NUOVA ZELANDA:

- Se occorre assolutamente impiegare un utensile a motore in un luogo umido, utilizzare un INTERRUTTORE DIFFERENZIALE (RCD) con una sensibilità nominale da 30 mA o inferiore. L'uso di un interruttore RCD riduce i rischi di scosse elettriche.

Sicurezza personale

- **Rimanere sempre attenti e concentrati e agire in modo sensato e prudente ogni volta che si utilizzano degli elettrotensili. Non usare un elettrotensile quando si è stanchi o sotto l'influenza di sostanze stupefacenti, bevande alcoliche o farmaci. Quando si usano elettrotensili, anche un solo attimo di distrazione potrebbe causare gravi infortuni.**
- **Usare indumenti di protezione personale. Indossare sempre occhiali di protezione. Indumenti di protezione come maschere antipolvere, scarpe di sicurezza antiscivolo, elmetti rigidi o cuffie foncoassorbenti utilizzati in condizioni appropriate riducono il rischio di infortuni.**
- **Evitare azionamenti accidentali. Accertarsi che l'interruttore sia su "OFF" (SPENTO) prima di collegare l'elettrotensile all'alimentazione e/o alla batteria, impugnarlo o trasportarlo. Trasportando l'elettrotensile con il dito sull'interruttore di accensione o collegando la spina con l'interruttore su "ON" (ACCESO) si innalza il rischio d'infortunio.**
- **Rimuovere eventuali chiavi di regolazione o di altro tipo prima di avviare l'elettrotensile. Un qualsiasi utensile rimasto attaccato ad una parte in movimento dell'elettrotensile potrebbe provocare infortuni.**
- **Non sporgersi. Tenere sempre una giusta posizione e di equilibrio. In questo modo è possibile avere un controllo migliore dell'utensile in caso di contraccolpi improvvisi.**
- **Indossare indumenti appropriati. Non indossare gioielli o indumenti troppo larghi. Tenere i capelli, gli indumenti e i guanti lontano dalle parti in movimento. Indumenti larghi, gioielli e capelli lunghi possono impigliarsi nelle parti in movimento.**
- **Qualora vengano forniti dispositivi per l'aspirazione di polveri e rifiuti, assicurarsi di usarli in maniera corretta. L'uso di un contenitore per la raccolta della polvere può ridurre i rischi connessi.**
- **Anche dopo aver acquisito dimestichezza con l'utilizzo prolungato degli utensili, usare sempre le dovute precauzioni e mai ignorare le norme di sicurezza. Basta una semplice distrazione e in un attimo si possono causare infortuni seri.**

Uso e manutenzione dell'elettrotensile

- **Non forzare mai l'elettrotensile. Usare l'elettrotensile adatto per il lavoro da eseguire. L'elettrotensile funzionerà meglio e sarà più sicuro se impiegato alla velocità per cui è stato progettato.**
- **Non utilizzare l'elettrotensile se non può essere acceso e spento mediante l'interruttore. Tutti gli elettrotensili non controllabili con l'interruttore di accensione sono pericolosi e vanno, quindi, riparati.**
- **Staccare la spina dalla presa e/o la batteria dall'elettrotensile prima di eseguire regolazioni, cambi di accessori o prima di conservarli a fine lavoro. Queste misure di sicurezza preventive riducono il rischio di un'imprevista accensione dell'elettrotensile.**
- **Riporre gli elettrotensili inutilizzati fuori della portata dei bambini e non permetterne l'uso a chi non ha familiarità con elettrotensili o non conosce le istruzioni per il funzionamento dell'elettrotensile. Gli elettrotensili sono pericolosi se usati da persone inesperte.**

- **Eseguire la manutenzione degli elettrotensili. Verificare che non vi siano allineamenti non corretti o inceppamenti delle parti in movimento, guasti o rotture di parti e qualsiasi altra condizione che potrebbe compromettere l'uso dell'elettrotensile. Nel caso in cui l'elettrotensile fosse danneggiato, ripararlo prima di utilizzarlo di nuovo. Molto spesso, gli incidenti sono causati da elettrotensili non sottoposti a una regolare manutenzione.**
- **Mantenere ben puliti e affilati gli utensili da taglio. Gli utensili da taglio sottoposti a regolare manutenzione e con lame sempre affilate sono meno soggetti a impigliarsi nei materiali e più facili da controllare.**
- **Usare l'elettrotensile, gli accessori, le punte, ecc. secondo queste istruzioni, tenendo presenti le condizioni di lavoro e il lavoro da eseguire. L'impiego dell'elettrotensile per operazioni diverse da quelle previste potrebbe dare luogo a situazioni pericolose.**
- **Mantenere i manici e le superfici dell'impugnatura sempre asciutti, puliti e privi di residui di olio e grasso. Quando scivolosi, i manici e le superfici dell'impugnatura non permettono una presa salda dell'utensile per contrastare reazioni improvvise.**

Uso e manutenzione degli utensili a batteria

- **Per la ricarica, utilizzare solo il caricabatteria specificato dal produttore. Un caricabatteria adatto a un certo tipo di batteria potrebbe creare rischi di incendio se usato con batterie diverse.**
- **Utilizzare gli elettrotensili esclusivamente con le batterie specificate. L'impiego di batterie diverse potrebbe provocare il rischio di infortuni o di incendi.**
- **Se non utilizzata, la batteria va tenuta lontano da oggetti metallici come graffette fermacarte, monete, chiavi, chiodi, viti o altri piccoli oggetti di metallo che potrebbero causare un contatto tra i terminali. Un corto circuito tra i terminali della batteria potrebbe provocare ustioni o un incendio.**
- **In condizioni di utilizzo inappropriato, la batteria potrebbe emettere del liquido; attenzione a non toccarlo. In caso di contatto accidentale, sciacquare subito con acqua. Consultare immediatamente il medico, se il liquido viene a contatto con gli occhi. Il liquido emesso dalla batteria potrebbe causare irritazioni e ustioni.**
- **Mai utilizzare una batteria o un utensile danneggiato o comunque manomesso. Batterie danneggiate o manomesse possono creare rischi improvvisi di incendio, esplosione o infortuni.**
- **Non esporre la batteria o l'utensile a fiamme dirette o a temperature eccessive. Dall'esposizione a fiamme dirette o a temperature superiori a 130°C derivano rischi di esplosione.**
- **Seguire sempre le istruzioni di ricarica e non caricare la batteria o l'utensile a temperature più basse o più alte di quelle indicate. Una ricarica errata o a temperature più basse o più alte di quelle indicate può danneggiare la batteria stessa e creare rischi d'incendio.**

Assistenza

- Fare eseguire gli interventi di assistenza sull'elettrotensile soltanto da personale qualificato, utilizzando esclusivamente ricambi originali. In tal modo si garantirà la sicurezza dell'utensile.
- Mai riparare le batterie danneggiate. La riparazione delle batterie deve essere eseguita solo dal produttore o da personale autorizzato alla manutenzione.



Gli utensili a motore possono sprigionare schegge o particelle vaganti durante l'impiego.

- È necessario che l'operatore e le persone circostanti indossino appositi occhiali di sicurezza.

Particelle vaganti o schegge possono causare lesioni agli occhi.

Norme specifiche di sicurezza

- Tenere gli elettrotensili dalla loro impugnatura isolata durante quei lavori che comportano il rischio di contatto con fili elettrici nascosti. In caso di contatto con fili elettrici sotto tensione, le parti metalliche esposte dell'elettrotensile possono fungere da conduttore, esponendo l'operatore a rischi di scosse elettriche.



Gli utensili a motore sono fonte di rumore.

- È necessario che l'operatore e le persone circostanti indossino cuffie fonoassorbenti.

L'esposizione a livelli di rumorosità elevata per periodi prolungati può compromettere l'udito.

Avvisi per l'avvitatore ad impulsi a batteria



L'impiego non corretto di un utensile a motore e dei relativi accessori può provocarne la rottura.

- Leggere attentamente le istruzioni prima di mettere in funzione un qualsiasi utensile a motore.
- Se l'utensile viene passato da una persona a un'altra, ad un neofita o a un utilizzatore inesperto, accertarsi che queste istruzioni vengano incluse.
- Non staccare le etichette. Sostituire tutte le etichette danneggiate.

Gli utensili rotti o danneggiati possono causare infortuni.



Gli utensili a batteria possono generare scintille.

- Non lubrificare gli utensili con liquidi infiammabili o volatili come cherosene, benzina, diesel o carburante per aerei.

Non usare in un'atmosfera esplosiva.



Rischio di contaminazione da polvere dannosa.

- Indossare una maschera o un respiratore di tipo omologato quando si utilizzano utensili a motore che generano polvere.

L'inalazione di polvere dannosa può causare lesioni.



Gli utensili a motore tendono a vibrare.

- Evitare l'esposizione prolungata alle vibrazioni o ai movimenti ripetitivi e non mantenere a lungo posizioni scomode.
- Interrompere l'uso dell'utensile se si avvertono disturbi, dolori o formicolii. Consultare un medico prima di riprendere l'uso dell'utensile.
- Non utilizzare l'utensile se vibra eccessivamente, se produce rumore insolito, se ha parti allentate oppure mostra un qualsiasi altro segno di usura.
- Se l'utensile si guasta, interrompere l'utilizzo e predisporre immediatamente la manutenzione e le riparazioni.

L'esposizione prolungata alle vibrazioni, a movimenti ripetitivi e a posizioni scomode può causare lesioni.

Durante l'utilizzo, l'utensile può cambiare improvvisamente movimento o posizione.

- Attenzione a movimenti improvvisi durante l'avviamento e l'utilizzo dell'utensile.
- Mantenere una presa sicura.
- Prevedere la forza di reazione. Modificare la propria posizione e tenere saldamente l'utensile.
- Osservare la posizione del meccanismo di inversione di rotazione prima di utilizzare l'utensile e conoscerne la direzione di rotazione quando si preme il grilletto.

Cambiamenti improvvisi di movimento o di posizione possono causare infortuni.



Parti del corpo o indumenti possono impigliarsi nell'utensile.

- Tenere le parti del corpo lontane dai componenti rotanti.
- Indossare cuffie che contengano i capelli lunghi.
- Tenere l'impugnatura asciutta, pulita e priva di olio e grasso.
- Non bloccare o fissare con nastro adesivo l'interruttore nella posizione ON (ACCESO).
- Rimuovere la batteria prima di cambiare gli accessori.

Esiste il rischio di infortuni se si rimane impigliati nell'utensile.

AVVERTENZE

- Usare solo bussole e accessori previsti per l'uso con questi avvitatori ad impulso. Non utilizzare bussole per utensili manuali o a motore altrimenti si corre il rischio di usarle precocemente con pericolo di infortuni. Non utilizzare bussole o accessori scheggiati, incrinati o usurati.
- Il modello CT9035/CT9038 è dotato di anello di blocco in acciaio per fissare le bussole. Questo anello mantiene la bussola in posizione tramite attrito. È consigliabile sostituire periodicamente tale anello per evitare che la bussola si muova più del normale.
- Usare solo bussole a molla con perni sferici. Proprio perché non concepite per gli avvitatori a impulsi, utilizzando bussole a molla con perno quadro si corre il rischio di infortuni.
- Se si usano delle prolunghe, mantenere l'avvitatore a impulsi in posizione tale che la bussola entri dritta sul perno di fermo.
- Usare morsetti o altri sistemi pratici per fissare il pezzo in lavorazione su una piattaforma stabile.

Si corre il rischio che il pezzo in lavorazione sfugga al controllo se si prova a reggerlo con le mani o appoggiandolo al corpo.

Avvisi cautelari sulla batteria

AVVERTENZE



Rischio di esplosione o incendio.

- Non conservare l'utensile e la batteria in luoghi in cui la temperatura può raggiungere o superare i 49°C.
- I caricabatteria CTC131A/CTCA131A/CTCEU131A/CTCJ131A non caricano le batterie a temperature inferiori a 0°C o superiori a 45°C.
- Non incenerire la batteria, anche se gravemente danneggiata o completamente scarica. A contatto con il fuoco, la batteria potrebbe esplodere.

- Dopo avere estratto la batteria, coprire i terminali con nastro adesivo per impieghi gravosi.
- Non tentare di distruggere o smontare la batteria né di rimuovere i suoi componenti.
- Non ricaricare la batteria usando un gruppo elettrogeno o un alimentatore a corrente continua.
- Ricaricare la batteria in un'area ben ventilata.

Fiamme o esplosioni possono provocare infortuni.



Rischio di scosse elettriche.

- Non smontare la batteria.
- Non provocare cortocircuiti alla batteria.
- Caricare la batteria solo con il caricabatteria Snap-on indicato per quel tipo di batterie.
- Staccare la batteria se non viene utilizzata, prima di effettuare la manutenzione e quando vengono sostituiti gli accessori.
- Non ricaricare la batteria usando un gruppo elettrogeno o un alimentatore a corrente continua.

Scosse elettriche o incendi possono causare infortuni.



Rischio di ustioni.

- In condizioni di uso o temperature estreme, la batteria può perdere liquido.
- In condizioni di utilizzo inappropriato, la batteria potrebbe emettere del liquido; attenzione a non toccarlo. In caso di contatto accidentale, sciacquare subito con acqua. Consultare immediatamente il medico, se il liquido viene a contatto con gli occhi.

Il liquido emesso dalla batteria potrebbe causare irritazioni e ustioni.

- Prima di inserire la batteria, verificare che l'interruttore si trovi su OFF (SPENTO).

L'inserimento della batteria in elettrooutensili con l'interruttore posizionato su ON (ACCESO) aumenta il rischio di incidenti.

- Non mettere in tasca la batteria inutilizzata.

Perdite dalla batteria o scintille potrebbero causare ustioni o anche un incendio.



Rischio di cortocircuito e incendio.

- Non provocare cortocircuiti alle batterie.
- Non toccare i terminali con nessun tipo di materiale conduttore.
- Evitare di riporre la batteria insieme a materiali conduttori come chiodi, viti, monete e altri oggetti di metallo.
- Non trasportare il caricabatteria in grembiuli o tasche che contengono oggetti conduttori.

Il cortocircuito può provocare un incendio o gravi ustioni.

Norme cautelari per lo smaltimento delle batterie esaurite



Il sigillo **BBRC™** sulla batteria agli ioni di litio impiegata nel presente prodotto indica che la **Snap-on** partecipa volontariamente al programma per la raccolta e il riciclaggio delle batterie esaurite.

IT	When battery has reached end of life, please take it to your franchisee or a local battery recycler in accordance with local regulations. Customer Service Number: +39 02 66 04 53 70 Email: indus.italia@snapon.com
IT	Quando la batteria raggiunge il limite della vita utile, portarla dal concessionario o un centro di riciclaggio delle batterie a norma dei regolamenti locali. Numero Servizio clienti: +39 02 66 04 53 70 Email: indus.italia@snapon.com

La partecipazione della **Snap-on** a questo programma è coerente con il continuo impegno della società per la protezione dell'ambiente e per la conservazione delle risorse naturali.

Direttive FCC



Questo dispositivo è conforme all'art. 15, comma B delle direttive FCC. Il suo utilizzo è soggetto alle seguenti due condizioni:

1. Non deve generare interferenze pericolose, e
2. Deve assorbire qualsiasi tipo di interferenze, comprese quelle che potrebbero causarne un funzionamento imprevisto.



Rischio di esplosione o incendio.

- **Non gettare le batterie usate! Per riciclare la batteria, restituirla a un centro di riparazioni Snap-on autorizzato.**

Fiamme o esplosioni possono provocare infortuni.



Rischio di incendio.

- **Non tentare di smontare la batteria o di rimuovere eventuali sporgenze dai terminali.**
- **Al fine di evitare cortocircuiti, prima del riciclaggio proteggere i terminali esposti con nastro isolante per impieghi gravosi.**

Gli incendi possono provocare infortuni.

Avvisi cautelari per il caricabatteria



Rischio di cortocircuito o incendio.

- **Non inserire la batteria nel caricabatteria se si notano incrinature o danni all'involucro.**

Scosse elettriche e incendi possono provocare infortuni.

- **Per ridurre il pericolo di scossa elettrica, questo cavo (nella versione per gli USA) è munito di spina polarizzata (una lamella è più larga dell'altra). Vale a dire che la spina può essere inserita in una presa polarizzata in una sola direzione. Se la spina non si inserisce a fondo nella presa, provare a girarla; se ancora non si inserisce, rivolgersi a un elettricista qualificato per installare la presa adatta. Non cambiare in alcun modo la spina.**

- Usare i caricabatteria CTC131A/CTCA131A/CTCEU131A/CTCJ131A solo con le batterie ricaricabili CTB8185BK/CTB8187/CTB8172BK/CTB8174/CTB185/CTB1856; altri tipi di batterie potrebbero esplodere, causando lesioni e danni.
- In condizioni di utilizzo inappropriato, la batteria potrebbe emettere del liquido; attenzione a non toccarlo. In caso di contatto accidentale, sciacquare subito con acqua. Consultare immediatamente il medico, se il liquido viene a contatto con gli occhi.

Il liquido emesso dalla batteria potrebbe causare irritazioni e ustioni.

- **Non provare mai a collegare due caricabatteria insieme.**
- **Non esporre il caricabatteria a pioggia o neve.**
- **Al momento di staccare il caricabatteria, tirare il cavo elettrico dalla spina per estrarlo dalla presa.**
- **Attenzione a non calpestare il cavo elettrico, a non inciamparvi, a non danneggiarlo o a non tirarlo eccessivamente.**



Rischio di esplosione.

- **È necessario che l'operatore e le persone circostanti indossino occhiali di protezione.**

L'esplosione potrebbe provocare lesioni agli occhi.



L'impiego non corretto di un utensile a motore e dei relativi accessori può provocarne la rottura.

- **Prima di utilizzare il caricabatteria, leggere attentamente le istruzioni per l'uso e le avvertenze che si trovano sul caricabatteria, la batteria e il prodotto che utilizza la batteria stessa.**

Gli utensili rotti o danneggiati possono causare infortuni.

ISTRUZIONI CAUTELARI IMPORTANTI



Rischio di cortocircuito o incendio.

PERICOLO—PER RIDURRE IL RISCHIO DI INCENDIO O DI SCOSSE ELETTRICHE, SEGUIRE ATTENTAMENTE QUESTE ISTRUZIONI.

- Questo manuale contiene importanti istruzioni sulla sicurezza e sul funzionamento del caricabatteria Snap-on CTC131A/CTCA131A/ CTCEU131A/CTCJ131A.
- Prima di usare il caricabatteria, leggere attentamente tutte le istruzioni e le avvertenze che si trovano sulla batteria, sul caricabatteria e sul prodotto che utilizza la batteria stessa.
- ATTENZIONE**—Per ridurre il rischio di infortuni, caricare solo le batterie ricaricabili tipo CTB8185BK/CTB8187/CTB8172BK/CTB8174/CTB185/CTB1856. La ricarica di altri tipi di batterie può causare scoppi, che a loro volta possono provocare infortuni e danni.
- Non esporre il caricabatteria a pioggia, umidità o neve.
- L'uso di accessori non raccomandati o non venduti dal produttore del caricabatteria può costituire pericolo di incendio, scossa elettrica o lesioni personali.
- Per ridurre il rischio di danni al cavo, tirare dalla spina anziché dal cavo stesso quando si scollega il caricabatteria dalla presa di corrente.
- Accertarsi che il cavo sia posizionato in modo da non essere calpestato, da non inciamparvi e da non essere altrimenti soggetto a danni o sollecitazioni.
- Non usare il caricabatteria se il cavo è danneggiato; sostituirlo subito.
 - Il cavo di ricambio del caricabatteria CTC131A/CTCA131A/ CTCEU131A/CTCJ131A va sostituito con un cavo **Snap-on** identico
- Non usare il caricabatteria se ha subito un urto violento, se è caduto o se è stato altrimenti danneggiato. Rivolgersi a un tecnico qualificato addetto alla manutenzione.
- Non smontare il caricabatteria. Se occorre assistenza o manutenzione rivolgersi a un tecnico qualificato. Un montaggio non corretto può provocare scossa elettrica o incendio.
- Per ridurre il pericolo di scossa elettrica, staccare il caricabatteria dall'alimentazione prima di eseguire qualsiasi operazione di manutenzione o pulizia. Disattivare i comandi non basta a prevenire questo pericolo.
- Il caricabatteria non deve essere utilizzato da persone (bambini inclusi) con capacità fisiche, sensoriali o mentali ridotte o che manchino di esperienza e conoscenza, a meno che non siano sorvegliate o istruite sul suo uso da una persona responsabile della loro sicurezza.
- Sorvegliare i bambini per verificare che non giochino con l'apparecchio.
- Non tentare di ricaricare le batterie non ricaricabili.
- Non provare mai a collegare due caricabatteria insieme.
- Far riparare il caricabatteria da personale qualificato, utilizzando esclusivamente ricambi originali. In tal modo si garantirà la sicurezza del caricabatteria.
- Per individuare il centro di riparazioni Snap-on più vicino, contattare il servizio assistenza clienti Snap-on al numero +1 877 762 7664 (gratuito negli USA).
- Per ridurre il rischio di un'esplosione della batteria, seguire queste istruzioni e quelle riportate sulla batteria stessa.
- Non fumare mai né permettere che presso la batteria o il motore vi siano scintille o fiamme libere.
- Non caricare mai una batteria congelata.
- Non fare funzionare il caricabatteria in un'area chiusa o dove la ventilazione sia limitata.
- Evitare l'uso di prolunghe, se non è assolutamente necessario. Se è necessario utilizzare una prolunga, verificare che:
 - Il numero, le dimensioni e la forma dei contatti sulla spina della prolunga corrispondano a quelli sulla spina del caricabatteria;
 - La prolunga sia collegata correttamente e sia in buone condizioni elettriche;
 - Il filo elettrico sia di diametro sufficiente per le specifiche di amperaggio CA elencate di seguito:

Caricabatteria da 100-120 volt Lunghezza del cavo (piedi)	Diametro del filo (AWG)
25	18
50	18
100	18
Caricabatteria da 220-240 volt Lunghezza del cavo (metri)	Diametro del filo (mm)
50	0,75
75	1,0

Lunghezza consigliata della prolunga

CONSERVARE QUESTE ISTRUZIONI

Descrizione funzionale

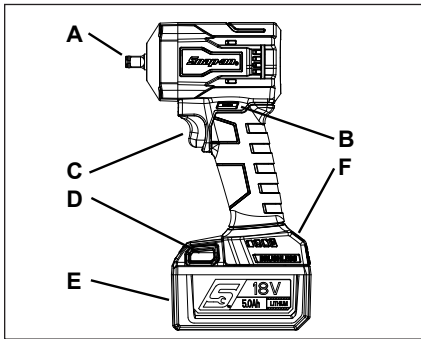


Figure 1: Avvitatore ad impulsi a batteria

- A. Base dell'anello di tenuta
- B. Barra d'inversione rotazione avanti/indietro
- C. Grilletto
- D. Pulsante di rilascio
- E. Batteria ricaricabile
- F. Impostazioni della potenza

Dati tecnici

Caratteristiche tecniche dell'avvitatore a impulsi

Dimensioni dell'attacco quadro
CT9035.....	13 mm (1/2")
CT9038.....	10 mm (3/8")

Coppia di serraggio 370 N•m
 Coppia di strappo bulloni 712 N•m
 Velocità a vuoto..... 2050 rpm
 Impulsi al minuto 3300 ipm
 Voltaggio motore 18,0 VCC

Peso con batteria (Ioni di litio)..... 2,0 kg

Rumore* (Collaudato secondo la norma EN 62841)

CT9035
 Livello pressione sonora (A).....93,8 dB
 Incertezza, K0,84 dB
 Livello potenza sonora (A).....105,4 dB
 Incertezza, K0,84 dB

CT9038
 Livello pressione sonora (A).....95,3 dB
 Incertezza, K0,45 dB
 Livello potenza sonora (A).....106,9 dB
 Incertezza, K0,45 dB

Vibrazioni* (Collaudato secondo la norma EN 62841)

CT9035
 Livello di vibrazioni4,91 m/s²
 Incertezza, K0,71 m/s²

CT9038
 Livello di vibrazioni 6,62 m/s²
 Incertezza, K1,37 m/s²









**NOTA: I valori totali dichiarati per le vibrazioni e per il rumore sono stati misurati secondo metodologie di prova standard e sono utilizzabili per paragonare un utensile con un altro. I valori totali dichiarati per le vibrazioni e per il rumore sono anche utilizzabili per una valutazione preliminare del livello di esposizione.*



AVVERTENZE

Il livello di vibrazioni e rumore emesso dagli utensili a motore può differire dai valori dichiarati dipendendo dalla modalità di utilizzo dell'utensile stesso e, specialmente, dal tipo di materiale che compone il pezzo in lavorazione. Implementare norme di salvaguardia della sicurezza dell'operatore basate su tempi di esposizione in condizioni di utilizzo reali (prendendo in considerazione tutte le fasi del ciclo di lavoro, compresi i tempi in cui l'utensile è spento, gira a vuoto e viene effettivamente utilizzato).

La Snap-on declina ogni responsabilità derivante dalle conseguenze dell'utilizzo dei valori dichiarati, anziché di quelli reali di esposizione rilevati direttamente sul cantiere durante la valutazione dei rischi in materia antinfortunistica; situazione sulla quale la Snap-on non ha nessun controllo.

Simbologia

SIMBOLOGIA	
	CONSULTARE IL MANUALE O L'OPUSCOLO CON LE ISTRUZIONI
	INDOSSARE OCCHIALI DI PROTEZIONE
	INDOSSARE CUFFIE FONOASSORBENTI
	PERICOLO DI VIBRAZIONI
V	VOLT
---	CORRENTE CONTINUA
n_p xxx/min	VELOCITÀ A VUOTO
CE	MARCATURA CE
	STATI UNITI – CANADA UL SOLUTIONS
C UL US	STATI UNITI – CANADA UL SOLUTIONS
FCC	FCC FEDERAL COMMUNICATIONS COMMISSION
	JAPAN ELECTRICAL SAFETY TÜV RHEINLAND
	CON DOPPIO ISOLANTE
BFP	PROTEZIONE DA CORRENTI DI RITORNO
	RICICLARE LA BATTERIA CORRETTAMENTE

	NON GETTARE TRA I RIFIUTI
BC	CONFORME ALLE NORME: CALIFORNIA - TITLE 20
UK CA	MARCATURA UKCA (UK CONFORMITY ASSESSED)
	RCM (REGULATORY COMPLIANCE MARK, MARCHIO DI CONFORMITÀ)

Caratteristiche tecniche della batteria ricaricabile

	CTB185/ CTB8187	CTB1856
Tipo	Ioni di litio	Ioni di litio
Tensione	18 VCC (5 celle in coppia da 3,6 V)	18 VCC (5 celle in coppia da 3,6 V)
Peso	~0,68 kg	~0,68 kg
Tempo di ricarica	fare riferimento alla sezione Ricarica della batteria	
Durata	1000 cicli (1 ciclo = 1 carica e 1 scarica)	
Capacità	5,0 Ah	5,6 Ah
Intervallo delle temperature di scarica	da -20°C a 60°C	

Dati tecnici del caricabatteria

	CTC131A/CTCA131A/ CTCEU131A/CTCJ131A
Alimentazione	100-240V, 50/60 Hz
Uscita	5,0 A
Uscita Porta USB di alimentazione	5,0VCC@0,5A
Peso	~0,95 kg
Intervallo delle temperature di carica	da 0°C a 45°C

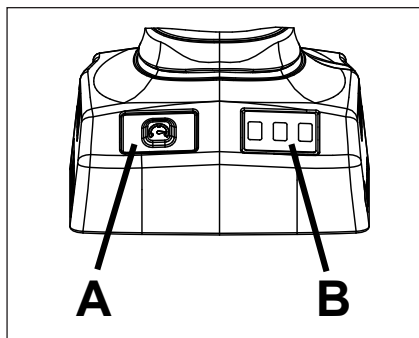


Figure 2: Selettore di velocità

Utilizzo

L'avvitatore ad impulsi a batteria **Snap-on** è ideale per una vasta gamma di lavori di avvitaimento di dispositivi di fissaggio nel campo industriale ed automobilistico. Quando utilizzato con le apposite bussole **Snap-on**, fornisce la potenza e la velocità ideali per una maggiore efficienza sul lavoro e con meno fatica per l'operatore. L'avvitatore a impulsi aggiunge libertà di movimento, non disponibile di solito con i prodotti che richiedono tubi flessibili per aria compressa o cavi elettrici.

Applicazione

Base dell'anello di tenuta

- Quando si installa una bussola per funzionamento a impulsi, collocare la barra del senso di rotazione nella posizione centrale per evitare l'avvio accidentale dell'utensile; oppure rimuovere la batteria.
- Allineare la parte quadrata della bussola con i quattro lati piatti all'estremità della base.
- Premere la bussola sull'anello di tenuta fino a che non si arresta.
- Per rimuovere la bussola, afferrarla saldamente e farla scivolare fuori della base.

Questo tipo di base è adatto per lo scambio regolare di bussole, come, ad esempio, nelle officine.

Uso del selettore di velocità

Il pulsante del selettore di velocità viene usato per regolare la velocità del corpo battente, quella d'impatto e la quantità di forza.

È possibile selezionare autonomamente una velocità diversa per la rotazione all'indietro (CCW) e per quella in avanti (CW). Così, si può svitare un prigioniero alla massima velocità ed avvitarlo ad una velocità più bassa per un controllo migliore.

- Premere e rilasciare il grilletto per attivare l'utensile. La velocità selezionata corrisponde a quella indicata nella tabella in basso.
- Premere il selettore di velocità per passare da una modalità all'altra tra le 3 (tre) disponibili. Quando l'impostazione di velocità desiderata si illumina, iniziare a lavorare.

IMPOSTAZIONE DELLA VELOCITÀ	VISUALIZZAZIONE DELLA SELEZIONE DELLA VELOCITÀ	VELOCITÀ	IPM	COPPIA % *
1	● ○ ○	0-1000	0-2000	0-25%
2	● ● ○	0-1525	0-2850	0-50%
3	● ● ●	0-2050	0-3150	0-100%

* Effetto sulla percentuale (%) di coppia ottenuto utilizzando un bullone esagonale da 3/8". Utilizzare sempre una chiave dinamometrica per verificare la coppia.

COLORE SPIA	DIREZIONE
Verde	SAO (indietro)
Rosso	SO (avanti)

Commutatore del senso di rotazione

Determina il senso di rotazione della base, in direzione oraria o antioraria.

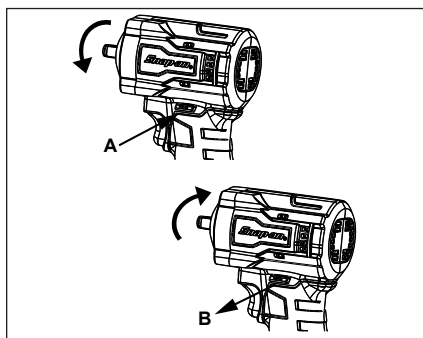


Figure 3: Commutatore del senso di rotazione

- A. Premere il commutatore per avviare la rotazione all'indietro o in senso antiorario.
 B. Rilasciare il commutatore per avviare la rotazione in avanti o in senso orario.

Per cambiare la direzione di rotazione della base:

- L'avvitatore a impulsi a batteria deve essere fermo e non in funzione.
- La posizione del commutatore del senso di rotazione determina il senso di rotazione della base. Le posizioni del commutatore quando l'utensile si trova nella posizione descritta sopra, sono:
 - in avanti (B); la base ruoterà in senso orario,
 - all'indietro (A); la base ruoterà in senso antiorario.
- Per poter funzionare, il pulsante deve trovarsi nella posizione in avanti o in quella inversa. La posizione centrale blocca il pulsante, impedendone il funzionamento.

Grilletto

Per far ruotare la base, premere l'apposito grilletto sull'impugnatura. Per poter funzionare, la leva deve trovarsi nella posizione in avanti o in quella inversa. È possibile bloccare il grilletto nella posizione OFF. Bloccando il grilletto in tale posizione si evita l'avvio accidentale dell'avvitatore a impulsi quando non è in uso. Per bloccare il grilletto, spostare la leva in posizione centrale. Bloccare sempre il grilletto quando non si usa l'utensile.

Sovraccarico

In caso di sovraccarico, con conseguente surriscaldamento dell'interruttore o della batteria, i circuiti elettronici interni dell'utensile ne arrestano il funzionamento. Questa funzione di sicurezza previene il surriscaldamento dell'utensile. Rilasciare il pulsante per riprendere il funzionamento.

- Surriscaldamento della batteria - indicato dal lampeggio di tutte e quattro le spie a LED sulla batteria stessa. I circuiti di protezione interni ne arrestano il funzionamento per prevenire danni all'utensile e alla batteria. Le spie continuano a lampeggiare per quattro minuti ogni volta che si preme il pulsante finché la temperatura non è scesa a un livello accettabile. Si può usare la ventola di raffreddamento per fare raffreddare più velocemente la batteria o l'utensile.
- Surriscaldamento dell'utensile - indicato dal lampeggio della spia a LED. Utilizzando l'utensile ininterrottamente sotto sforzo, l'interruttore si può surriscaldare e l'utensile stesso si arresta momentaneamente. Lasciare raffreddare l'utensile prima di rimetterlo in funzione.

Ricarica della batteria

- Inserire la spina del cavo di alimentazione nell'apposita presa sul caricabatteria.
- Inserire l'altra estremità in una presa di corrente.
- Inserire la batteria nel caricabatteria. Collocare la batteria in modo che sia a filo con la parte superiore del caricabatteria.

— La spia verde inizia a lampeggiare. Questo indica che il caricabatteria ha avviato il processo di ricarica.

- L'apposito indicatore sulla batteria visualizza il valore percentuale di carica.

— Quando la batteria è carica al 25%, si accende una spia verde.

Batteria ricaricabile	Caricatore CTC131A/CTCA131A/CTCEU131A/CTCJ131A
CTB185/CTB8187	~ 90 min
CTB1856	~ 100 min

- Quando la ricarica veloce è stata completata, tutte e quattro le spie sulla batteria rimangono accese in verde così come la spia verde sul caricabatteria.
- Se la spia a LED a destra lampeggia con luce gialla, la batteria è troppo calda o troppo fredda. In questo caso, il caricabatteria non avvierà la carica rapida. Il caricabatteria entra in modalità di carica rapida quando la temperatura della batteria è compresa tra 0°C e 45°C.
- Se la spia a LED a destra lampeggia con luce rossa, la batteria è difettosa e il caricabatteria non la ricaricherà.
- Quando la carica rapida è terminata, la tensione della batteria viene rilevata dal caricabatteria, che si spegne automaticamente per evitare di sovraccaricarla, mentre tutte e quattro le spie dell'indicatore di carica della batteria rimangono accese in verde insieme alla spia verde sul caricabatteria.
- Il caricabatteria è dotato di una porta USB con valori della tensione di uscita rispettivamente di 0,5 A e 5 Vcc. Non collegarvi nessun dispositivo che richiede più di 0,5 A.

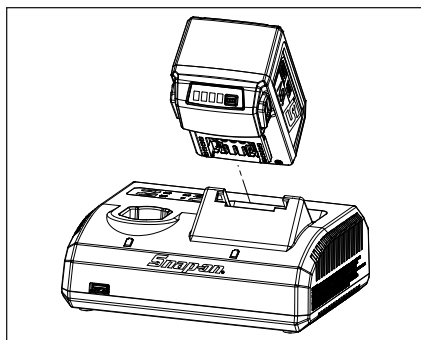


Figure 4: Inserimento della batteria

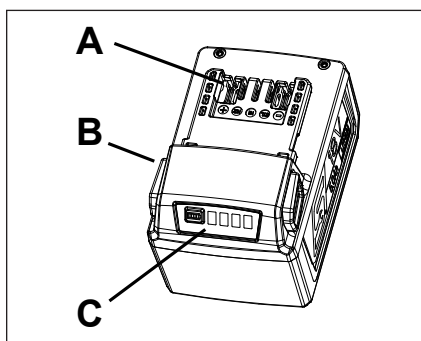


Figure 5: Batteria ricaricabile (CTB185/CTB1856)

- A. Terminale
- B. Pulsante di blocco
- C. Indicatore di carica

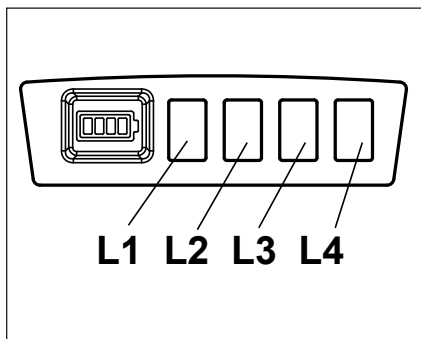


Figure 6: Indicatore di carica (CTB185/CTB1856)

- L1 - Fissa - 25% di carica
- L2 - Fissa - 50% di carica
- L3 - Fissa - 75% di carica
- L4 - Fissa - 100% di carica

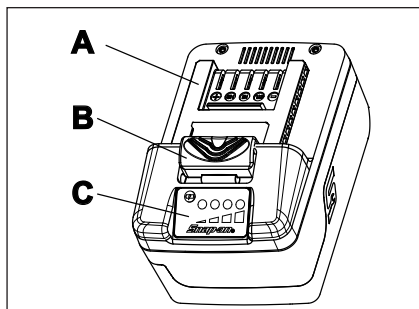


Figure 7: Batteria ricaricabile (CTB8187)

- A. Terminale
- B. Pulsante di blocco
- C. Indicatore di carica

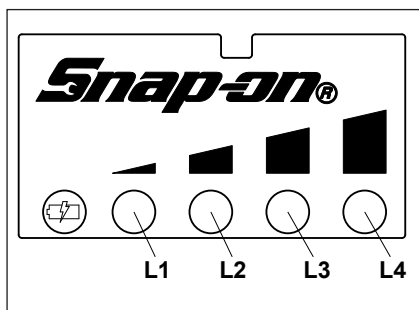


Figure 8: Indicatore di carica (CTB8187)

- L1 - Fissa - 25% di carica
- L2 - Fissa - 50% di carica
- L3 - Fissa - 75% di carica
- L4 - Fissa - 100% di carica

Batteria ricaricabile

Indicatore di carica

Premere il pulsante dell'indicatore di carica; le spie si accenderanno e mostreranno la capacità rimanente della batteria. Le spie rimarranno accese per 5 secondi.

Nota: se la spia L1 dell'indicatore di carica lampeggia, ricaricare la batteria.

Contatore dei cicli di carica

Tenere premuto il pulsante dell'indicatore di carica per 10 secondi per vedere quanti cicli di carica sono stati effettuati.

Contare il numero dei lampeggi per ricavare tale valore.

Esempio 1:

- L1 - lampeggia 1 (una) volta
- L2 - lampeggia 3 (tre) volte
- L3 - lampeggia 4 (quattro) volte
- L4 - lampeggia 5 (cinque) volte

Significa che la batteria è stata caricata 1345 volte

Esempio 2:

L1 - non lampeggia

L2 - lampeggia 6 (sei) volte

L3 - lampeggia 7 (sette) volte

L4 - lampeggia 8 (otto) volte

Significa che la batteria è stata caricata 678 volte

Protezione della batteria

Per massimizzarne le prestazioni e la durata, il circuito di protezione della batteria agli ioni di litio monitora la tensione, la corrente di scarica e la temperatura della batteria stessa. Quando la tensione della batteria scende sotto il valore di impiego, la batteria si stacca e la 1a spia a LED lampeggia per 10 secondi. La batteria deve essere ricaricata. In caso di sovraccarico, il circuito di protezione spegnerà l'utensile al raggiungimento del limite di assorbimento – misurato in ampere - di carica della batteria. Si può comunque riprendere subito a usare l'utensile.

Funzionamento a basse temperature

La batteria agli ioni di litio può essere usata fino a una temperatura di -20°C. Quando la batteria è molto fredda, far girare l'utensile a vuoto per scaldarla, quindi riprenderne l'utilizzo normale.

Funzionamento ad alte temperature

Se la temperatura della batteria agli ioni di litio raggiunge i 70°C, il circuito di protezione stacca la batteria e tutte e quattro le spie a LED lampeggiano per 4 minuti. Solo quando la temperatura è scesa al di sotto dei 65°C, la batteria riprenderà a funzionare normalmente.

Conservazione

Evitare di esporre la batteria ad acqua o pioggia; altrimenti si potrebbe danneggiare.

Ricaricare completamente la batteria prima di riporla. Per garantire la massima durata, conservare tutte le batterie agli ioni di litio a temperatura ambiente e in un luogo asciutto. La capacità di carica delle batterie può ridursi in modo permanente in caso di conservazione prolungata delle stesse a temperature elevate, superiori ai 49°C.

Manutenzione

Assistenza

Gli interventi di assistenza sull'utensile devono essere eseguiti con cura e perizia. Gli interventi di assistenza dovranno essere eseguiti solo da un tecnico qualificato.

- Prima dell'uso controllare sempre che non ci siano segni di usura.
- Prima dell'uso sostituire o riparare le parti danneggiate. Controllare l'allineamento delle parti in movimento. L'inceppamento delle parti in movimento o la presenza di parti danneggiate possono alterare il funzionamento dell'utensile.
- Far riparare o sostituire in modo adeguato le parti danneggiate da un centro di assistenza autorizzato.
- Non utilizzare l'utensile se l'interruttore non funziona correttamente.
- Eseguire regolarmente la manutenzione degli utensili. Mantenere gli utensili asciutti, puliti, senza tracce di olio e grasso, per prestazioni più efficienti e sicure.
- Per individuare il centro di riparazioni **Snap-on** più vicino, contattare il servizio assistenza clienti Snap-on al numero +1 877 762 7664 (gratuito negli USA).
(Solo per il Nord America)
Northern Repair Center
3011 E Route 176
Crystal Lake IL 60014

(Fuori dal Nord America)

Vedere la sezione sulle informazioni di contatto a pagina 95

- Quando si carica o scarica una batteria agli ioni di litio in un periodo breve, la temperatura interna della batteria aumenterà notevolmente. Questo fenomeno è del tutto normale.
- In condizioni di lavoro ideali, la vita utile della batteria ricaricabile equivale a circa 1000 cicli di carica/scarica. La manutenzione e la cura non appropriate riducono la durata della batteria e il periodo in cui la batteria riesce a mantenersi carica.
- Usare solo con il caricabatteria Snap-on indicato per le batterie serie CTB.
- Evitare cortocircuiti alla batteria. Intense scariche elettriche possono causare danni permanenti alla batteria.

AVVERTENZE

- **Staccare il caricabatteria dalla presa prima di iniziare la procedura di smontaggio.**
- **Rimuovere la batteria dall'utensile prima di iniziare la procedura di smontaggio. Eventuali cortocircuiti alla batteria possono causare incendi o lesioni personali.**
- **Usare attrezzatura di sicurezza. Indossare sempre occhiali di protezione.**



Mensajes de seguridad

Snap-on Tools Company proporciona mensajes de seguridad para cubrir situaciones razonables que pueden presentarse al operar, realizar el mantenimiento o reparar herramientas inalámbricas. Es responsabilidad de los operadores y de los técnicos de servicio mantenerse bien informados acerca de los procedimientos, herramientas y materiales que se usan y cerciorarse de que dichos procedimientos, herramientas y materiales no comprometerán su seguridad y la de otras personas presentes en el lugar de trabajo ni la integridad de la herramienta.

Advertencia general de seguridad para herramientas mecánicas



Lea todas las advertencias, instrucciones, ilustraciones y especificaciones que se incluyen con la herramienta. No tener en cuenta las advertencias e instrucciones podría resultar en descargas eléctricas, incendios o lesiones graves.

GUARDE TODAS LAS ADVERTENCIAS E INSTRUCCIONES PARA REFERENCIA FUTURA

Cuando en la advertencia aparezca el término "herramienta mecánica" se referirá a la herramienta mecánica enchufada a la red (con cable) o con funcionamiento por batería (sin cable).

Seguridad en el área de trabajo

- Mantenga el área de trabajo limpia y bien iluminada. *Un área de trabajo desordenada o poco iluminada puede ser causa de accidentes.*

- No utilice herramientas mecánicas en atmósferas explosivas, como aquellas en las que hay presencia de líquidos, gases o polvos inflamables. *Las herramientas mecánicas pueden generar chispas que a su vez pueden inflamar el polvo o los gases.*
- Mantenga a los niños y otros observadores alejados de la herramienta mecánica cuando esté en funcionamiento. *Cualquier distracción puede hacerle perder el control.*

Seguridad eléctrica

- Los enchufes de la herramienta mecánica deben corresponder al tomacorrientes. Nunca intente modificar el enchufe de ningún modo. No utilice enchufes adaptadores con herramientas mecánicas con toma a tierra. *Un enchufe sin modificar con el tomacorrientes correspondiente reducirá el riesgo de descarga eléctrica.*
- Evite que su cuerpo entre en contacto con superficies puestas a tierra como cañerías, radiadores, cocinas y neveras. *El riesgo de sufrir una descarga eléctrica es superior cuando el cuerpo está en contacto con tierra.*
- No exponga las herramientas mecánicas a la lluvia ni a ninguna otra situación de humedad. *El riesgo de sufrir una descarga eléctrica es superior cuando le entra agua a la herramienta mecánica.*
- No maltrate el cable. No lo utilice para acarrear la herramienta, tirar de ella o desenchufarla. No acerque el cable a fuentes de calor, aceite, bordes afilados o partes móviles. *Los cables dañados o enredados aumentan el riesgo de descarga eléctrica.*
- Cuando opere una herramienta mecánica al aire libre, utilice un cable alargador apropiado para exteriores. *El uso de un cable apropiado para exteriores reduce el riesgo de descarga eléctrica.*
- Si se ve obligado a utilizar la herramienta mecánica en un lugar húmedo, utilice un suministro eléctrico con DISYUNTOR DIFERENCIAL (GFCI). *El uso de un GFCI reduce el riesgo de sufrir una descarga eléctrica.*

AUSTRALIA/NEUEA ZELANDA:

- Si no se puede evitar utilizar la herramienta mecánica en un lugar húmedo, utilice un DISPOSITIVO DE CORRIENTE RESIDUAL (RCD) para proteger el suministro con una capacidad nominal de 30 mA o menos. *El uso de un RCD reduce el riesgo de electrochoque.*

Seguridad personal

- Manténgase alerta, esté atento a lo que hace y emplee el sentido común cuando opere una herramienta mecánica. No utilice herramientas mecánicas si está cansado o bajo la influencia del alcohol, las drogas o algún medicamento. *Una distracción en esos momentos podría resultar en lesiones personales de gravedad.*

- **Utilice equipo protector personal.** Siempre use protección para los ojos. *Si se utiliza equipo de protección, como pueden ser mascarillas, zapatos de suela antideslizante, cascos o protección para los oídos, siempre que la situación lo exija, se reducirán en gran medida las lesiones.*
- **Prevenga el arranque accidental.** Compruebe que el interruptor esté en la posición de apagado antes de enchufar la herramienta al tomacorrientes o la batería, y antes de levantarla o acarrearla. *Acarrear la herramienta con el dedo en el interruptor o enchufarla con el interruptor encendido puede dar lugar a accidentes.*
- **Retire cualquier llave de ajuste antes de poner en marcha la herramienta.** *Si se deja una llave inglesa o de otro tipo enganchada a una parte giratoria de la herramienta mecánica puede causar lesiones.*
- **No se exceda al intentar llegar a lugares fuera de su alcance.** Mantenga siempre el equilibrio con los pies bien plantados. *Esto ofrece un mejor control de la herramienta en situaciones inesperadas.*
- **Lleve la vestimenta apropiada.** No lleve joyas ni ropa suelta. No acerque el pelo, la ropa o los guantes a las partes móviles. *La ropa suelta, las joyas o el pelo largo pueden quedarse enredados en las partes móviles.*
- **Si se dispone de dispositivos que conecten con sistemas de extracción y recolección de polvo, verifique que estén conectados y que se utilizan debidamente.** *El uso de recolectores de polvo puede reducir los peligros relacionados con el polvo.*
- **No deje que la familiaridad que tenga con las herramientas debido a su experiencia le haga descuidarse y olvidar los principios de seguridad.** *Un descuido puede causar lesiones graves en un instante.*
- **Es importante realizar mantenimiento a las herramientas mecánicas y a los accesorios.** Confirme que las partes móviles no estén desalineadas ni agarrotadas, que no haya piezas rotas y que no exista ningún otro problema que pueda afectar su funcionamiento. Si descubre algún daño, haga reparar la herramienta mecánica antes de usarla. *Las herramientas mecánicas con un mantenimiento deficiente ocasionan muchos accidentes.*
- **Mantenga las herramientas de corte afiladas y limpias.** *Con el mantenimiento correcto, las herramientas de corte con bordes afilados tienen menos posibilidades de atascarse y son más fáciles de controlar.*
- **Use la herramienta mecánica, los accesorios, las brocas, etc., de conformidad con estas instrucciones y considerando las condiciones de trabajo y la tarea a realizar.** *El uso de la herramienta mecánica para operaciones diferentes de aquellas para las que fue diseñada puede provocar una situación de riesgo.*
- **Mantenga los mangos y las superficies de agarre limpias y libres de aceite y grasa.** *Cuando el mango o la superficie de agarre están resbaladizos no es posible manejar la herramienta con seguridad y controlarla en situaciones inesperadas.*

Uso y mantenimiento de herramientas con baterías

Uso y cuidado de la herramienta mecánica

- **No fuerce la herramienta mecánica.** Utilice la herramienta mecánica adecuada para su aplicación. *La herramienta correcta cumplirá mejor con su función y lo hará de una manera más segura a la velocidad para la que ha sido diseñada.*
- **No utilice la herramienta si el interruptor no la apaga y enciende.** *Cuando una herramienta no se puede controlar con el interruptor se convierte en un peligro y debe repararse.*
- **Desenchufe la herramienta del suministro eléctrico o la batería antes de ajustarla, cambiar los accesorios o guardarla.** *Estas medidas preventivas reducen el riesgo de que arranque por accidente.*
- **Guarde las herramientas mecánicas fuera del alcance de los niños y no deje que las utilice ninguna persona que no esté familiarizada con ellas o con estas instrucciones.** *Las herramientas mecánicas son peligrosas en manos de personas sin la capacitación necesaria.*
- **Recargue la herramienta exclusivamente con el cargador especificado por el fabricante.** *Un cargador adecuado para un tipo de batería puede crear un riesgo de incendio si se utiliza con otro distinto.*
- **Use las herramientas mecánicas solamente con baterías diseñadas específicamente para ellas.** *El uso de cualquier otra batería puede implicar riesgo de lesiones o incendio.*
- **Cuando la batería no está en uso, manténgala alejada de otros objetos metálicos como clips para papel, monedas, llaves, clavos, tornillos u otros objetos metálicos pequeños que puedan crear una conexión desde un terminal al otro.** *Crear un cortocircuito entre los terminales de la batería puede provocar incendios o quemaduras.*
- **En condiciones de uso indebido, el líquido puede ser expulsado de la batería; evite el contacto con él.** *Si se produjera el contacto, enjuáguese con agua. Si el líquido entra en contacto con los ojos, acuda a un médico. El líquido expulsado de la batería puede provocar irritación o quemaduras.*
- **No utilice baterías ni herramientas con desperfectos o modificaciones.** *Una batería dañada o modificada puede funcionar de formas imprevistas que podrían resultar en incendios, explosiones o lesiones.*
- **No exponga la batería al fuego ni a temperaturas excesivas.** *La exposición al fuego o a temperaturas por encima de los 130 °C (265 °F) puede causar una explosión.*
- **Siga todas las instrucciones de carga y no cargue la batería ni la herramienta en el exterior cuando la temperatura se encuentre fuera de la gama indicada en las instrucciones.** *Una carga indebida o a temperaturas fuera de gama podría dañar la batería y aumentar el riesgo de incendio.*

Servicio

- Pídale a un técnico calificado que realice el mantenimiento de las herramientas mecánicas con piezas de repuesto idénticas a las originales. De esta manera garantizará la seguridad de la herramienta.
- No intente reparar una batería dañada. Del mantenimiento de la batería se debe encargar el fabricante o un proveedor de servicio autorizado.

Reglas de seguridad específicas

- Sujete las herramientas mecánicas por sus superficies de agarre aisladas cuando realice cualquier operación durante la cual la pieza fijadora pueda entrar en contacto con cables ocultos. Si la pieza fijadora entra en contacto con un cable "vivo" puede transmitir electricidad a las piezas de metal expuestas de la herramienta y provocarle al operador una descarga eléctrica.

Mensajes de seguridad sobre la llave de impacto inalámbrica



El uso incorrecto de las herramientas mecánicas y de sus accesorios puede hacer que las herramientas se rompan.

- Lea las instrucciones antes de operar herramientas mecánicas.
- Asegúrese de que estas instrucciones acompañen a la herramienta cuando ésta se pase de un usuario a otro nuevo o sin experiencia.
- No retire nunca las etiquetas. Reemplace todas las etiquetas dañadas.

Las herramientas rotas pueden provocar lesiones.



Las herramientas inalámbricas pueden provocar chispas.

- No lubrique ni limpie las herramientas con líquidos inflamables o volátiles, como pueden ser carburadores, diesel, gasolina o queroseno.

No utilizar en atmósferas explosivas.



Riesgo de contaminación por polvo peligroso.

- Póngase una mascarilla o respirador antipolvo aprobado cuando utilice herramientas mecánicas que produzcan polvo.

La inhalación de polvos peligrosos puede resultar nocivo.



Con el uso de herramientas mecánicas existe el riesgo de que salten partículas.

- Utilice gafas de seguridad, tanto para usted como para los observadores.

Las partículas que salen despedidas pueden provocar lesiones.



Las herramientas mecánicas generan ruido.

- Utilice protectores auditivos, tanto para usted como para los observadores.

La exposición prolongada al ruido puede provocar pérdida de audición.



Las herramientas mecánicas vibran.

- Evite la exposición prolongada a la vibración, los movimientos repetitivos y las posiciones incómodas.
- Deje de usar la herramienta si siente incomodidad, cosquilleo o dolor. Solicite asistencia médica antes de volver a usar la herramienta.
- No utilice la herramienta si vibra demasiado, produce ruidos inusuales, tiene piezas sueltas o muestra cualquier otro signo de daños.
- Si la herramienta no funciona correctamente, deje de utilizarla y llévela de inmediato a que la reparen o le realicen mantenimiento.

La exposición prolongada a vibraciones, movimientos repetitivos y posiciones incómodas puede provocar lesiones.

Cuando se utiliza la herramienta, pueden producirse cambios repentinos de movimiento o posición.

- Anticipe estos cambios y esté alerta al arrancar la herramienta y durante su empleo.
- Agárrela con fuerza.
- Anticipe la fuerza de reacción. Ajuste su posición y agarre la herramienta con firmeza.
- Compruebe en qué posición se encuentra el mecanismo de marcha atrás antes de encender la herramienta y observe la dirección de rotación cuando oprima el gatillo.

Los cambios súbitos de movimiento o posición pueden provocar lesiones.



Peligro de enredamiento.

- Mantenga las partes del cuerpo alejadas de las piezas móviles.
- Si tiene el pelo largo, cúbrase para contenerlo.
- Mantenga el mango seco, limpio y libre de aceite y grasa.
- No bloquee ni coloque cinta al gatillo con la intención de que se quede bloqueado en la posición de encendido (ON).
- Retire la batería antes de cambiar de accesorio.

Los enredamientos pueden causar accidentes.

ADVERTENCIA

- Con estas llaves de impacto, deben utilizarse solo accesorios y tubos de impacto. El uso de tubos para uso manual o eléctrico ocasionará la falla prematura y posibles lesiones al usuario. No utilice tubos ni accesorios astillados, agrietados ni dañados.
- La CT9035/CT9038 incluye un anillo de retención de acero para sujetar los tubos. El anillo sostiene el tubo en su lugar por fricción. Puede que sea necesario cambiar el anillo en forma periódica cuando la retención sea inferior a la deseada.
- Use solo tubos flexibles de rútila. El uso de tubos flexibles tipo bloque cuadrado puede ocasionar lesiones, ya que no se han diseñado para el uso de impacto.
- Al utilizar extensiones, sujete la llave de impacto de manera que el tubo encaje directamente en la pieza fijadora.
- Utilice abrazaderas u otras formas prácticas de sujetar y apoyar la pieza de trabajo sobre una plataforma estable.

Sujetar la pieza de trabajo con la mano o contra el cuerpo no brinda estabilidad y puede ocasionar la pérdida de control.

Mensajes de seguridad sobre la batería

ADVERTENCIA



Riesgo de explosión o incendio.

- No guarde la herramienta ni la batería en lugares con temperaturas de 49 °C o superiores.
- Los cargadores CTC131A/CTCA131A/CTCEU131A/CTCJ131A no cargarán la batería cuando la temperatura sea inferior a 0 °C o superior a 45 °C.
- No incinere la batería, incluso si presente daños graves o esté completamente agotada. La batería puede explotar en el fuego.
- Cubra los terminales de la batería con cinta adhesiva gruesa después de extraerla.

- No intente destruir ni desarmar la batería ni extraer sus componentes.
 - No cargue la batería con un generador de motor o una fuente de alimentación de CC.
 - Cargue la batería en un área bien ventilada.
- Las explosiones o los incendios pueden provocar lesiones.



Riesgo de descarga eléctrica.

- No desarme la batería.
- No cree un cortocircuito con la batería.
- Cargue la batería exclusivamente con cargadores de la marca Snap-on para la batería en cuestión.
- Desconecte la batería cuando no esté en uso, antes de realizar el mantenimiento o al cambiar los accesorios.
- No cargue la batería con un generador de motor o una fuente de alimentación de CC.

Las descargas eléctricas y los incendios pueden provocar lesiones.



Riesgo de quemaduras.

- En condiciones extremas de uso o temperatura, la batería puede sufrir fugas.
- En condiciones de uso indebido, el líquido puede ser expulsado de la batería; evite el contacto con él. Si se produjera el contacto, enjuáguese con agua. Si el líquido entra en contacto con los ojos, acuda a un médico.

El líquido expulsado de la batería puede provocar irritación o quemaduras.

- Compruebe que el interruptor esté en la posición de apagado antes de instalar la batería.

Insertar la batería en una herramienta mecánica cuyo interruptor esté encendido puede dar lugar a accidentes.

- Cuando la batería no esté en uso, no se la guarde en un bolsillo de la ropa.

Las fugas y las chispas de la batería pueden provocar quemaduras o incendios.



Riesgo de cortocircuito e incendio.

- No cree un cortocircuito en la batería.
- No toque los terminales con ningún material conductor.
- No guarde la batería con materiales conductores como clavos, tornillos, monedas y otros objetos metálicos.
- No lleve la batería en delantales ni bolsillos que contengan objetos conductores.

Los cortocircuitos pueden provocar incendios y quemaduras de gravedad.

Reglas de seguridad para el desecho de baterías



El sello **BBRC™** en la batería de iones de litio incluida en este producto indica que **Snap-on** participa de forma voluntaria en un programa industrial para recolectar y reciclar estas baterías al finalizar su vida útil.

ES	When battery has reached end of life, please take it to your franchisee or a local battery recycler in accordance with local regulations. Customer Service Number: +351 914 364 633 Email: European.division.south@snapon.com
ES	Cuando la batería haya llegado al final de su vida útil, llévela a la franquicia o reciclador de baterías más cercano de acuerdo con las regulaciones locales. Número del servicio al cliente: +351 914 364 633 Correo electrónico: European.division.south@snapon.com

La participación de **Snap-on** en este programa es parte de su compromiso con la protección del medio ambiente y la preservación de los recursos naturales.

Reglamentos de la FCC



Este dispositivo cumple con la Parte 15, subparte B de las normas de la FCC. Su funcionamiento está sujeto a las dos condiciones siguientes:

1. El dispositivo no deberá causar interferencias nocivas y
2. El dispositivo deberá aceptar las interferencias que reciba, incluidas las que podrían afectar negativamente su funcionamiento.



Riesgo de explosión o incendio.

- ¡No arroje a la basura las baterías gastadas! Lleve la batería a un centro de reparación autorizado de **Snap-on** para reciclarla.

Las explosiones o los incendios pueden provocar lesiones.



Riesgo de incendio.

- No intente desarmar la batería ni retirar ningún componente que sobresalga de sus terminales.
- Antes de reciclar, proteja los terminales expuestos con cinta aislante gruesa para evitar cortocircuitos.

Los incendios pueden provocar lesiones.

Mensajes de seguridad sobre el cargador de baterías



Riesgo de descarga eléctrica o incendio.

- No ponga la batería en el cargador si la caja está agrietada o dañada.

Las descargas eléctricas y los incendios pueden provocar lesiones.

- A fin de reducir el riesgo de descargas eléctricas, este cable eléctrico (en la versión para EE.UU.) tiene un enchufe polarizado (una clavija es más ancha que la otra). Este enchufe encajará en un tomacorrientes polarizado en una sola dirección. Si el enchufe no entra bien en el tomacorrientes, inviértalo; si sigue sin entrar, pida a un electricista profesional que instale un tomacorrientes adecuado. No cambie el enchufe de ningún modo.
- Utilice el cargador CTC131A/CTCA131A/CTCEU131A/CTCJ131A con las baterías recargables CTB8185BK/CTB8187/CTB8172BK/CTB8174/CTB185/CTB1856 solamente; cargar cualquier otro tipo de baterías podría hacer que la batería estalle, causando daños y lesiones.
- En condiciones de uso indebido, el líquido puede ser expulsado de la batería; evite el contacto con él. Si se produjera el contacto, enjuáguese con agua. Si el líquido entra en contacto con los ojos, acuda a un médico.

El líquido expulsado de la batería puede provocar irritación o quemaduras.

- Nunca intente conectar dos cargadores entre sí.
- No exponga el cargador a la lluvia ni a la nieve.
- Tire del enchufe en lugar del cable al desconectar el cargador.
- Tenga cuidado de no pisar, tropezar, dañar o tensionar el cable.



Riesgo de explosión.

- Los usuarios y los observadores deben utilizar gafas de seguridad.

Las explosiones pueden provocar lesiones oculares.



El uso incorrecto de las herramientas mecánicas y de sus accesorios puede hacer que las herramientas se rompan.

- Antes de usar el cargador, lea todas las instrucciones y las marcas de precaución en el cargador, la batería y el producto que usa la batería.

Las herramientas rotas pueden provocar lesiones.

INSTRUCCIONES IMPORTANTES INSTRUCCIONES



Riesgo de descarga eléctrica o incendio.

PELIGRO: PARA DISMINUIR EL RIESGO DE INCENDIO O DESCARGA ELÉCTRICA, SIGA AL PIE DE LA LETRA ESTAS INSTRUCCIONES.

- Este manual contiene instrucciones importantes sobre la seguridad y la operación del cargador Snap-on CTC131A/CTCA131A/CTCEU131A/CTCJ131A.
- Antes de utilizar el cargador de baterías, lea todas las instrucciones y las marcas de precaución en el cargador, la batería y el producto que usa la batería.
- PRECAUCIÓN:** Para disminuir el riesgo de lesiones, cargue solamente las baterías recargables tipo CTB8185BK/CTB8187/CTB8172BK/CTB8174/CTB185/CTB1856. Cargar cualquier otro tipo de batería puede hacer que la batería estalle, lo cual podría ocasionar lesiones y daños.
- No exponga el cargador a la lluvia, la humedad ni la nieve.
- El uso de un accesorio no recomendado ni vendido por el fabricante del cargador de baterías puede provocar incendios, descargas eléctricas o lesiones.
- Para reducir el riesgo de dañar el cable, tire del enchufe en vez del cable al desenchufar el cargador.
- Coloque el cable de tal modo que nadie lo pueda pisar, dañar, tensionar o tropezar con él.
- No opere el cargador si el cable está dañado; reemplácelo inmediatamente.
 - El cable del cargador CTC131A/CTCA131A/CTCEU131A/CTCJ131A debe reemplazarse con un cable **Snap-on** idéntico
- No opere el cargador si ha recibido un golpe fuerte, si se ha caído o si está dañado de alguna otra manera; llévelo a un técnico calificado.
- No desarme el cargador; llévelo a un técnico calificado cuando sea necesario mantenerlo o repararlo. Si se rearma de manera incorrecta pueden producirse descargas eléctricas o incendios.
- Para reducir el riesgo de descargas eléctricas, desenchufe el cargador antes de darle mantenimiento o limpiarlo. Apagar los controles no reducirá este riesgo.
- El cargador no está hecho para que lo utilicen personas que tengan sus capacidades físicas, sensoriales o mentales disminuidas (lo que incluye niños), o que carezcan de experiencia y conocimientos, a menos que reciban supervisión o instrucción sobre su uso de una persona responsable de su seguridad.
- Se debe supervisar a los niños para asegurarse de que no jueguen con el equipo.
- No recargue las baterías que no sean recargables.
- Nunca intente conectar dos cargadores entre sí.
- Lleve el cargador a reparar a un técnico calificado que utilice repuestos idénticos a las piezas originales. De esta manera garantizará la seguridad del aparato.
- Para informarse sobre el centro de reparaciones de **Snap-on** más cercano, llame al departamento de atención al cliente de **Snap-on** al teléfono 1-877-762-7664.
- Para reducir el riesgo de explosión de la batería, siga estas instrucciones y aquellas marcadas en la batería misma.
- Nunca fume ni permita que haya chispas o llamas en las inmediaciones de la batería o del motor.
- Nunca cargue una batería congelada.
- No opere el cargador en un recinto cerrado ni restrinja la ventilación en modo alguno.
- No use un cable alargador a menos que sea absolutamente necesario. Si se debe usar uno de estos cables, compruebe que:
 - Las clavijas en el enchufe del cable alargador tengan el mismo número, tamaño y forma que aquellas del enchufe del cargador.
 - El cable alargador tenga las conexiones necesarias y esté en buenas condiciones eléctricas.
 - El cable sea lo suficientemente largo y tenga suficiente capacidad para la calificación de amperios de CA del cargador, según se define a continuación:

Cargador de 100 a 120 voltios Longitud del cable (pies)	Tamaño del cable (AWG)
25	18
50	18
100	18
Cargador de 220 a 240 voltios Longitud del cable (metros)	Tamaño del cable (mm)
50	0,75
75	1,0

Longitud recomendada para el cable alargador

GUARDE ESTAS INSTRUCCIONES

Descripción del funcionamiento

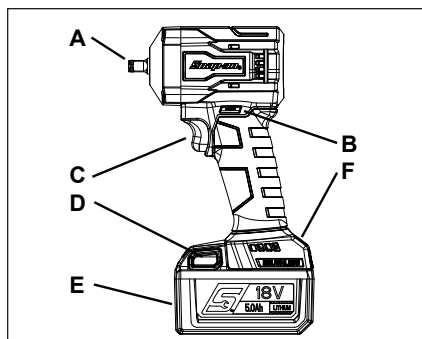


Figura 1: Llave de impacto inalámbrica

- A. Yunque de anillo de fricción
- B. Barra de avance/marcha atrás
- C. Gatillo
- D. Botón de liberación
- E. Batería
- F. Ajustes de potencia

Especificaciones

Especificaciones de la llave de impacto

Tamaño del cuadradillo
CT9035.....13 mm (1/2 plg)
CT9038.....10 mm (3/8 plg)
Par de apriete370 N•m

Par de rotura del perno.....	712 N•m
Velocidad en vacío	2050 rpm
Impactos por minuto.....	3300 ipm
Tensión del motor	18,0 VCC

Peso con la batería (iones de litio) 2,0 kg

Ruido* (Artículo probado de acuerdo con la norma EN 62841)

CT9035	Nivel de presión acústica (A).....	93,8 dB
	Incertidumbre, K.....	0,84 dB
	Nivel de potencia acústica (A)	105,4 dB
	Incertidumbre, K.....	0,84 dB

CT9038	Nivel de presión acústica (A).....	95,3 dB
	Incertidumbre, K.....	0,45 dB
	Nivel de potencia acústica (A)	106,9 dB
	Incertidumbre, K.....	0,45 dB

Vibración* (Artículo probado de acuerdo con la norma EN 62841)

CT9035	Nivel de vibración.....	4,91 m/s ²
	Incertidumbre, K.....	0,71 m/s ²

CT9038	Nivel de vibración.....	6,62 m/s ²
	Incertidumbre, K.....	1,37 m/s ²

*NOTA: Los valores de vibración totales declarados y los valores de ruido declarados se han medido de acuerdo al método de prueba estándar y pueden servir para comparar una herramienta con otra. Los valores de vibración totales declarados y los valores de emisión de ruido declarados también pueden usarse en una evaluación de exposición preliminar.

⚠ ADVERTENCIA

Las emisiones de vibración y ruido durante el uso real de la herramienta mecánica pueden ser distintas a los valores declarados dependiendo de la manera en que se utilice la herramienta, especialmente el tipo de pieza en la que se esté trabajando. Identifique medidas de seguridad para proteger al operador basadas en una estimación de la exposición en las condiciones de uso reales, teniendo en cuenta todas las partes del ciclo de operación, como por ejemplo las veces que la herramienta está apagada y cuando funciona en vacío, además del tiempo de vibración.

Snap-on no puede hacerse legalmente responsable de las consecuencias del uso de los valores declarados, en vez de valores que reflejen el grado de exposición real, determinados mediante una evaluación de riesgos individual, en una situación de trabajo sobre la cual no tiene control.

Símbolos

SÍMBOLOS	
	CONSULTE EL MANUAL/ FOLLETO DE INSTRUCCIONES
	USE PROTECCIÓN PARA LOS OJOS
	UTILICE PROTECTORES AUDITIVOS
	RIESGO DE VIBRACIÓN
V	VOLTIOS
---	CORRIENTE CONTINUA
n_p xxx/min	VELOCIDAD SIN CARGA
CE	MARCA CE
	ESTADOS UNIDOS - CANADÁ UL SOLUTIONS
C UL US	ESTADOS UNIDOS - CANADÁ UL SOLUTIONS
FCC	COMISIÓN FEDERAL DE COMUNICACIONES (FCC)
	SEGURIDAD ELÉCTRICA DE JAPÓN TUV RHEINLAND
	DOBLE AISLAMIENTO
BFP	PROTECCIÓN CONTRA RETROALIMENTACIÓN
	RECICLE DEBIDAMENTE LA BATERÍA

	NO LA ARROJE A LA BASURA
BC	CUMPLE CON EL TÍTULO 20 DE CALIFORNIA
UK CA	MARCA UKCA (EVALUADO PARA CONFORMIDAD EN EL REINO UNIDO)
	RCM (MARCA DE CUMPLIMIENTO REGLAMEN- TARIO)

Especificaciones de la batería

	CTB185/ CTB8187	CTB1856
Tipo	iones de litio	iones de litio
Voltaje	18 VCC (3,6 V x 5 pares de celdas)	18 VCC (3,6 V x 5 pares de celdas)
Peso	~0,68 kg	~0,68 kg
Tiempo de carga	consulte la sección Carga de la batería	
Vida útil	1000 ciclos (1 ciclo=1 carga y 1 descarga)	
Capacidad	5,0 Ah	5,6 Ah
Intervalo de temperatura de descarga	-20 °C a 60 °C	

Especificaciones del cargador de baterías

	CTC131A/CTCA131A/ CTCEU131A/CTCJ131A
Entrada	100-240V, 50/60 Hz
Salida	5,0 A
Producción Puerto de alimentación USB	5,0 VCC@0,5A
Peso	~0,95 kg
Intervalo de temperatura de carga	0 °C a 45 °C

Operación

La llave de impacto inalámbrica de **Snap-on** es ideal para una amplia variedad de tareas de torsión con pieza fijadora en aplicaciones industriales y automotrices. Cuando se utiliza en combinación con tubos de impacto de **Snap-on**, proporciona mayor potencia y velocidad para un trabajo más eficiente con menos fatiga para el operador. Esta llave de impacto también brinda una gran libertad de movimiento que no suele ser posible con productos que requieren mangueras neumáticas o cables eléctricos.

Aplicación

Yunque con anillo de fricción

1. Al instalar un tubo de impacto, coloque la barra de avance/marcha atrás en la posición central para evitar el arranque accidental de la herramienta o extraiga la batería.
2. Alinee el cuadrado del tubo con las cuatro partes planas en el extremo del yunque.
3. Empuje el tubo sobre el anillo de fricción hasta el fondo.
4. Para quitar el tubo de impacto, sujételo con fuerza y deslícelo fuera del yunque.

Este tipo de yunque permite cambiar los tubos con regularidad, como en un entorno de taller.

Uso del selector de velocidad

El botón selector de velocidad sirve para controlar la velocidad del yunque, la velocidad de impacto y la torsión.

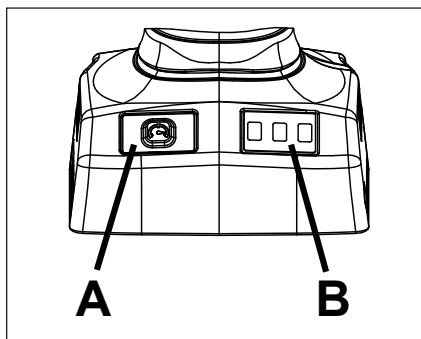


Figura 2: Selector de velocidad

Los ajustes de velocidad pueden establecerse por separado para CCW (marcha atrás) y CW (avance). Esta función puede servir para retirar tornillos a plena velocidad y volverlos a poner a una velocidad menor que permita más control.

1. Tire del gatillo y suéltelo para encender la herramienta. Aparecerá la selección de velocidad de

acuerdo a la información sobre el selector de velocidad de la tabla siguiente.

2. Pulse el selector de velocidad para que vaya pasando por las tres modalidades de velocidad. Empiece a trabajar cuando se encienda la velocidad deseada.

VELOCIDAD CONFIGURACIÓN	PANTALLA DE SELECCIÓN DE VELOCIDAD	VELOCIDAD	IPM	PAR % *
1	☼ ○ ○	0-1000	0-2000	0-25%
2	☼ ☼ ○	0-1525	0-2850	0-50%
3	☼ ☼ ☼	0-2050	0-3150	0-100%

* Efecto en % de torsión obtenido con un perno hexagonal de 9,5 mm (3/8 plg.). Para verificar la torsión siempre debe emplearse una llave de torsión.

COLOR DE LA LUZ	DIRECCIÓN
Verde	CCW (atrás)
Rojo	CW (adelante)

Interruptor de avance / marcha atrás

El interruptor de avance/marcha atrás determina la dirección de giro del yunque, ya sea hacia la derecha o hacia la izquierda.

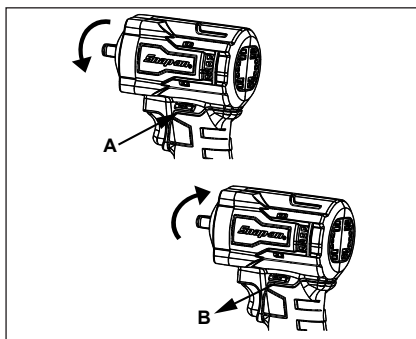


Figura 3: Interruptor de avance / marcha atrás

- A. Apriete el interruptor para marcha atrás o rotación hacia la izquierda.
- B. Suelte el interruptor para avance o rotación hacia la derecha.

Para cambiar la dirección de rotación del yunque:

1. Cérchiese de que la llave de impacto se haya detenido y no funcione.
2. La posición del interruptor de avance / marcha atrás determina la dirección de rotación del yunque. Las posiciones del interruptor, cuando la herramienta tiene la posición que se muestra anteriormente, son:

- Avance (B), el yunque gira hacia la derecha,
 - Marcha atrás (A), el yunque gira hacia la izquierda.
3. El interruptor debe estar en la posición de avance o marcha atrás para funcionar. La posición central bloquea el interruptor en la posición de apagado.

Gatillo

Oprima el gatillo para hacer girar el yunque. La palanca debe estar en la posición de avance o marcha atrás para funcionar. El gatillo puede bloquearse en la posición de apagado (OFF). Bloquear el gatillo en la posición de apagado ayuda a evitar arranques accidentales cuando no se use la llave de impacto. Coloque la palanca en la posición central para bloquear el gatillo. Bloquee el gatillo cuando no esté en uso.

Sobrecarga

Si la herramienta se sobrecarga por cualquier motivo que cause calentamiento excesivo del interruptor o la batería, los componentes electrónicos internos harán que la herramienta deje de funcionar. Esta es una función de seguridad que ayudará a evitar que la herramienta se sobrecaliente. Suelte el gatillo para reanudar la operación.

- Temperatura excesiva de la batería: los cuatro pilotos luminosos destellan en la batería. Esto significa que la temperatura interna de la batería es excesivamente alta y la herramienta se detendrá para prolongar la vida de la batería y la herramienta. Los pilotos continuarán destellando por cuatro minutos cada vez que tire del gatillo hasta que la temperatura baje a un nivel aceptable. Se puede usar un ventilador para acelerar el enfriamiento de la batería o la herramienta.
- Temperatura excesiva de la herramienta: destella el piloto de iluminación. Cuando la herramienta se ve sometida a uso intenso y continuo, podría subir la temperatura interna del interruptor y la herramienta dejará de funcionar temporalmente. Deje que la herramienta se enfríe antes de reanudar la operación.

Carga de la batería

1. Inserte el enchufe del cable eléctrico en el enchufe del cargador.
2. Inserte el otro extremo del cable en el tomacorrientes.
3. Inserte la batería en el cargador. Coloque la batería de modo que quede al ras de la parte superior del cargador.
 - Empieza a destellar el piloto verde. Esto señala que la batería se está cargando.

4. El indicador de carga de la batería muestra el porcentaje de carga.
 - Cuando la batería está cargada al 25%, un piloto verde se queda encendido.

Batería	Cargador CTC131A/CTCA131A/ CTCEU131A/CTCJ131A
CTB185/CTB8187	~ 90 min
CTB1856	~ 100 min

5. Cuando se completa la carga rápida, los cuatro pilotos verdes de la batería se quedan encendidos y también se enciende el piloto verde en el cargador.
6. Si el piloto luminoso de la derecha destella de color amarillo significa que la batería está caliente o fría. El cargador no podrá realizar la carga rápida si la batería está demasiado caliente o fría. El cargador pasa al modo de carga rápida cuando la temperatura de la batería está entre 0 °C y 45 °C.
7. Si el piloto luminoso de la derecha destella de color rojo significa que la batería está averiada y el cargador no la podrá cargar.
8. Cuando la carga rápida ha finalizado, el cargador detecta el voltaje de la batería y se apaga automáticamente para evitar una sobrecarga, tras lo cual se quedan iluminados, de color verde, los cuatro pilotos indicadores de carga en la batería y el del cargador.
9. El cargador tiene un puerto USB cuya corriente de salida es de 0,5 A con voltaje de salida de 5 VCC. No lo conecte a un aparato que requiera más de 0,5 A.

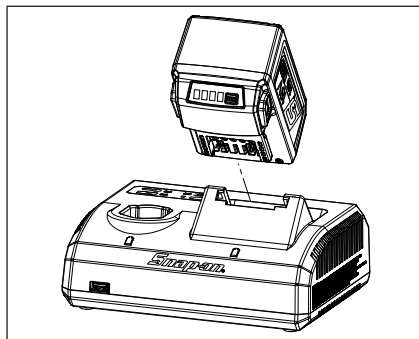


Figura 4: Inserción de la batería

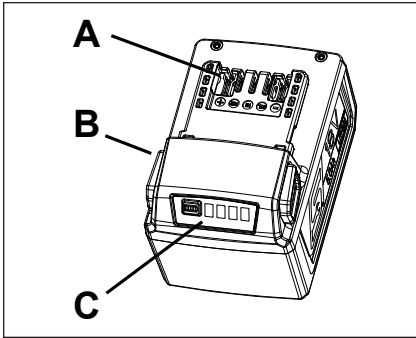


Figura 5: Batería (CTB185/CTB1856)

- A. Terminal
- B. Botón de liberación
- C. Indicador de carga

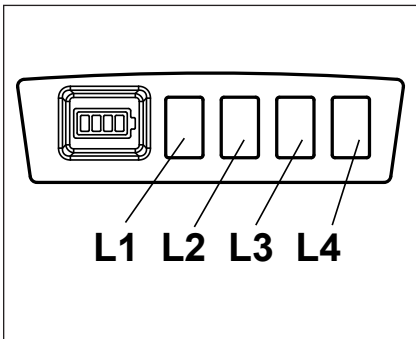


Figura 6: Indicador de carga (CTB185/CTB1856)

- L1: luz constante, 25% de carga
- L2: luz constante, 50% de carga
- L3: luz constante, 75% de carga
- L4: luz constante, 100% de carga

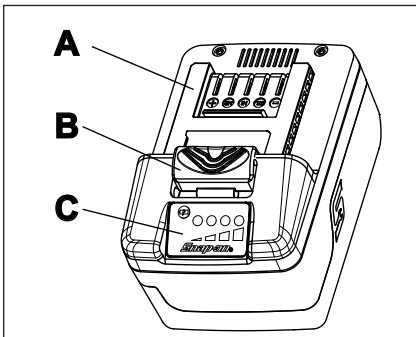


Figura 7: Batería (CTB8187)

- A. Terminal
- B. Botón de liberación
- C. Indicador de carga

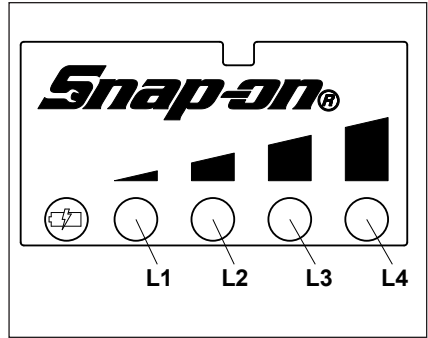


Figura 8: Indicador de carga (CTB8187)

- L1: luz constante, 25% de carga
- L2: luz constante, 50% de carga
- L3: luz constante, 75% de carga
- L4: luz constante, 100% de carga

Batería

Indicador de carga

Pulse el botón del indicador de carga, y los pilotos se encenderán y mostrarán la carga que le queda a la batería. Los pilotos se quedan encendidos durante 5 segundos.

Nota: si el indicador de carga L1 destella, cargue la batería.

Contador de ciclos de carga

Pulse el botón del indicador de carga durante diez segundos para leer el contador de ciclos de carga.

Cuente el número de destellos para averiguar la cantidad de ciclos.

Ejemplo 1:

- L1: destella una vez
- L2: destella tres veces
- L3: destella cuatro veces
- L4: destella cinco veces

Significa que la batería se cargó 1.345 veces.

Ejemplo 2:

- L1: no destella
- L2: destella seis veces
- L3: destella siete veces
- L4: destella ocho veces

Significa que la batería se cargó 678 veces.

Protección de la batería

Para maximizar su rendimiento y vida útil, el circuito de protección de la batería de iones de litio supervisa el voltaje, el amperaje de descarga y la temperatura. Cuando el voltaje caiga por debajo del rango utilizable, la batería se apagará y el primer piloto luminoso empezará a parpadear durante diez segundos. Es necesario recargar la batería. Si se alcanza el límite de amperios de descarga de la batería a causa de una carga excesiva, el circuito de protección apagará la herramienta. Se puede reanudar de inmediato la operación de la herramienta.

Funcionamiento a bajas temperaturas

La batería de iones de litio se puede usar a temperaturas que no sean inferiores a -20 °C. Si la batería está muy fría, haga funcionar la herramienta sin carga para calentarla y luego úsela normalmente.

Funcionamiento a altas temperaturas

Si la temperatura de la batería de iones de litio alcanza los 70 °C, el circuito de protección la apagará y destellarán los cuatro pilotos luminosos. Una vez que se haya enfriado hasta los 65 °C, la batería reanudará su funcionamiento normal.

Almacenamiento

No exponga la batería al agua ni a la lluvia, ya que podría dañarse.

Cargue plenamente la batería antes de dejarla almacenada. Para lograr una vida útil óptima, almacene todas las baterías de iones de litio a temperatura ambiente en un sitio seco. Se puede producir pérdida permanente de la capacidad de la batería si se almacena durante un período prolongado a alta temperatura superior a los 49 °C.

Mantenimiento

Servicio

El mantenimiento de una herramienta requiere extrema precaución y conocimiento. Únicamente un técnico calificado debe realizarlo.

- Revise siempre la herramienta por si hay alguna pieza dañada antes de usarla.
- Reemplace o repare las piezas dañadas antes de usar. Verifique la alineación de las partes móviles. Si las partes móviles se quedan atascadas o se rompen, el funcionamiento podría verse alterado.
- Lleve la herramienta a un centro de reparación autorizado para reparar o reemplazar correctamente las piezas dañadas.
- No use la herramienta mecánica si el interruptor no la apaga y enciende.
- Es importante realizar mantenimiento a las herramientas. Mantenga las herramientas secas, limpias y libres de aceite y grasa para obtener un rendimiento más eficaz y seguro.
- Para informarse sobre el centro de reparaciones de Snap-on más cercano, llame al servicio de atención al cliente de **Snap-on** al teléfono 1-877-762-7664.
(Solo Norteamérica)
Northern Repair Center
3011 E Route 176
Crystal Lake IL 60014

(Fuera de Norteamérica)

Consulte la sección Información de contacto en la página 95

- Cuando se carga o descarga la batería de iones de litio en un plazo reducido de tiempo, su temperatura interna aumenta considerablemente. Esto es normal.
- En condiciones de funcionamiento ideales, la vida útil de una batería de iones de litio es de aproximadamente 1000 ciclos de carga / descarga. La atención y el mantenimiento inadecuados acortan la vida de la batería y la duración de la carga.
- Utilícela únicamente con cargadores de **Snap-on** para baterías de la serie CTB.
- Evite los cortocircuitos en la batería. La batería puede dañarse de forma permanente si recibe una descarga de corriente alta.



- **Desenchufe el cargador del tomacorrientes antes de comenzar a desarmar la unidad.**
- **Extraiga la batería de la herramienta antes de comenzar a desarmar la unidad. Crear un cortocircuito con la batería puede provocar un incendio o lesiones.**
- **Utilice equipo de seguridad. Lleve siempre protección ocular.**



CT9035/CT9038

コードレスインパクトレンチ

JA

安全に関する注意事項

Snap-on Tools Companyは、コードレスツールを操作、点検、修理する際に生じ得る状況に対する、安全注意事項を提供しています。作業する者および点検技術者には、手順、ツール、使用材料に関し十分な知識を持ち、またそれらの手順、ツール、材料が、仕事場で作業する者やツールの安全性を脅かさないようにする責任があります。

パワーツールの安全に関する一般的な注意事項



警告

本パワーツールに添付されている安全に関する注意、取扱説明、説明図、仕様を全てに目を通してください。以下に挙げる警告に従わない場合は、感電や火災、重傷につながる可能性があります。

今後の参考のために、すべての警告および指示を保管してください。

警告中の「パワーツール」とは、コンセントに接続する（コードあり）パワーツールか、バッテリー駆動の（コードレス）パワーツールのことを指します。

作業エリアの安全

- 作業エリアは清潔にし、採光を十分に取ってください。雑然とした暗い場所は事故を誘発します。
- 可燃性の液体やガス、塵埃などの爆発物のある所でパワーツールを使用しないでください。パワーツールからはスパークが出るため、それが粉塵やガスに点火することがあります。
- パワーツールを操作している間は、子供やその周辺にいる者を近づけないようにしてください。注意力が散漫になると、手元が狂う原因となります。

電気に関する安全事項

- パワーツールのプラグとコンセントの形状は一致する必要があります。プラグは決して改造しないでください。アース付きのパワーツールには、アダプタプラグを使用しないでください。改造されていないプラグや、適合するコンセントを使用すれば、感電する危険性が少なくなります。
 - パイプ、ラジエータ、レンジ、冷蔵庫などのアースされた物体の表面に、体を接触させないようにしてください。体がアースされると、感電する危険性が增大します。
 - パワーツールを、雨やぬれた環境にさらさないでください。パワーツールに水が入ると、感電する危険性が增大します。
 - コードを乱暴に取り扱わないでください。コードを持ってパワーツールを持ち上げたり引っ張ったり、コードを引っ張ってコンセントから抜くことは絶対にしないでください。コードは、熱、油、鋭刃、作動部分に近づけないでください。破損したり絡まったコードを使用すると、感電の危険が高まります。
 - 屋外でパワーツールを操作するときは、屋外使用に適した延長コードを使用してください。屋外使用に適したコードを使用すれば、感電の危険が減少します。
 - 湿気のある場所でパワーツールを使わざるを得ない場合には、漏電遮断器が取り付けられている電源をご利用ください。漏電遮断器を利用すると、感電の恐れが低くなります。
- オーストラリア/ニュージーランド:**
- 湿った場所でパワーツールを使用しなければならない場合、定格感度電流30 mA以下の残留電流デバイス(RCD)付きコンセントをお使いください。RCDを使用することによって、電気ショックのリスクを低減することができます。

使用上の安全

- パワーツールを使用するときは、自分が行っていることに注意を傾け、常識の範囲内で使用してください。疲れているとき、または薬やアルコール、薬物治療の影響下にあるときは、パワーツールを使用しないでください。電動工具を操作している間は、ほんの瞬間注意を怠っただけで、重大な負傷事故を引き起こすことがあります。
- 個人用保護具を使用してください。常に保護メガネを着用してください。ダストマスク、滑り止めが付いた安全靴、ヘルメット、聴覚保護用具などの保護具を適切な条件で利用すると、負傷事故のおそれが少なくなります。
- 意図しない起動をしないように気をつけてください。電源および/またはバッテリーパックに接続する前に、工具を手取るか運ぶかして、スイッチがオフの位置にあることを確認してください。スイッチに指を置いたままパワーツールを運んだり、パワーツールのスイッチがオンになっているときにプラグを差し込むと、事故を引き起こすことがあります。

- パワーツールの電源をオンにする前に、調整キーまたはレンチをすべて取り外してください。パワーツールの回転部分にレンチやキーが取り付けられたままになっていると、ケガを引き起こす原因となります。
- 無理な姿勢での使用は避けてください。常に適切な足場とバランスを保つようにしてください。これにより、予期せぬ状況下でもパワーツールをうまく制御できます。
- 身なりを適切に整えてください。ゆったりした衣服や宝石は身に着けないでください。髪、衣服、手袋を作動部分に近づけないようにしてください。ゆったりとした衣服や、宝石、長い髪は作動部分に巻き込まれる可能性があります。
- 集塵装置に接続する機器がある場合は、それらが正しく接続されて適切に使用されていることを確認してください。集塵を行うことで、塵埃関係の危険が減少します。
- ツールの頻繁な使用から来る慣れによって無頓着になり、ツールの安全原則を無視することがないようにしてください。不注意な行動は、ほんの一瞬の間に重傷を引き起こす場合があります。

パワーツールの使用とお手入れ

- パワーツールに無理な力を加えないでください。用途に合った適切なパワーツールを使用してください。パワーツールを正しく使用することで、製品本来の性能を発揮でき、より安全に操作することができます。
- スイッチを押しても装置がオンまたはオフにならない場合は、パワーツールを使用しないでください。スイッチで制御できないパワーツールは事故の原因となるため、必ず修理してください。
- パワーツールの調整、アクセサリの交換、ツールの保管を行う前は、電源からプラグを抜くかまたはパワーツールからバッテリーパックを取り外してください。このような予防的な安全対策を取ることによって、パワーツールを誤って作動してしまう危険性が減少します。
- パワーツールを使用しないときは子供の手の届かないところに保管し、パワーツールやこれらの指示について熟知していないユーザーにパワーツールを操作させないでください。パワーツールは、不慣れな人が使用すると危険です。
- パワーツールおよびアクセサリは、整備してください。作動部分のずれや固着がないか、部品が破損していないか、およびパワーツールの操作に影響を与える可能性のあるその他の項目を点検してください。パワーツールが損傷している場合は、使用前に修理してください。事故の大半は、パワーツールのメンテナンスが十分に行われていないために発生します。
- カuttingツールは常に切れ味を保つようにし、清潔に保ってください。Cuttingツールの刃先を常に鋭くメンテナンスすれば、穴に入ったまま動かなくなることを防ぎ、また取り扱いも容易になります。
- パワーツール、アクセサリ、ツールビットなどは、これらについての指示に従って、作業条件と実行する作業を考慮しながら使用してください。パワーツールを、その意図された用途と異なる作業に使用すると、危険な状況を引き起こすこととなります。

- ハンドルや把持面は、乾燥し清潔で、オイルやグリースの付いていない状態に保ってください。ハンドルや把持面が滑りやすくなっていると、ツールを安全に取り扱うことができず、予期しない状況においてコントロールできなくなります。

バッテリーツールの使用とお手入れ

- メーカー指定の充電器のみを使用して充電を行ってください。バッテリーパックに、タイプ異なるバッテリーパック用の充電器を使用すると、火災が発生する原因となります。
- パワーツールには、専用バッテリーパックのみを使用してください。他のバッテリーパックを使用すると、負傷または火災の原因となります。
- バッテリーパックを使用しないときは、オーバーキリップ、硬貨、鍵、釘、ねじまたは端子同士を接続する他の小さな金属物質から隔離して置いてください。バッテリー端子をショートさせるとやけどまたは火災の原因となります。
- 不適切な使用条件下では、バッテリーから液体が飛び出ることがあります。この液体には触れないでください。誤って触れた場合は、水で洗い流してください。液体が目に入った場合は、さらに医師の診察を受けてください。バッテリーから出た液体は炎症またはやけどを引き起こすことがあります。
- 破損または改造したバッテリーパックやツールは使用しないでください。破損または改造したバッテリーは予測できない挙動を示すことがあり、出火、爆発、ケガのリスクをもたらします。
- バッテリーパックやツールを、火や過度の温度にさらさないでください。火または130°C (265°F) を超える温度にさらされると、爆発するおそれがあります。
- 充電に関する指示すべてに従い、またバッテリーパックやツールを説明書に指定されている温度範囲外で充電しないでください。不適切な、または規定外温度での充電は、バッテリーを破損させ出火のリスクを高めるおそれがあります。

修理

- パワーツールの修理は、同一交換部品を使用し、専門の修理技師が行ってください。これにより、パワーツールの安全性が保たれます。
- 損傷したバッテリーパックを絶対に自分で修理しないでください。バッテリーパックの修理は、メーカーまたは認定された修理業者のみが行うようにしてください。

特定の安全規則

- 取り付ける部品が、隠れている配線に接触する可能性がある作業を行う場合は、パワーツールの絶縁されたグリップ面を握るようになって持ってください。取り付ける部品が通電状態の配線と接触すると、パワーツールの露出金属部品が導通状態になり、作業者が感電する恐れがあります。

コードレスインパクトレンチの安全に関する注意事項



警告



パワーツールおよびアクセサリを不適切に使用しないでください。ツールが破損する原因となります。

- パワーツールを使用する前に、本説明書を良くお読みください。
- 初心者ユーザに当ツールを受け渡す際には、必ずこれらの説明書も添えてください。
- ラベルは剥さないでください。破損したラベルは、すべて交換してください。

故障したツールは、負傷の原因となります。



コードレスツールの使用時に火花が発生します。

- ツールの潤滑に、灯油、ガソリン、ディーゼル油、ジェット燃料など、可燃性または揮発性の物質を潤滑油として、またはパワーツールの清掃に使用しないでください。

爆発の危険があるところでは使用しないでください。



塵埃による汚染の危険性。

- 塵埃を排出するパワーツールを使用する場合は、認可を受けている防塵マスク、または呼吸マスクを着用してください。

有害な塵埃を吸い込むと、ケガの原因となります。



パワーツールの使用中は、切削屑等の飛来物が出ます。

- ユーザおよびその周辺にいる者は、必ず安全保護メガネを着用してください。

飛来物は、負傷の原因となります。



パワーツールは、騒音を発生します。

- ユーザおよびその周辺にいる者は、必ず聴覚保護具を着用してください。

保護具を着用せずに騒音に長時間さらされると、難聴の原因となります。



パワーツールは、振動を発生します。

- 振動、反復動作など苦痛を感じる状態に、長時間いることは避けてください。
- 不快感や刺激、痛みを感じた場合は、すぐにツールの使用を止めてください。使用を再開する前に、医師の診断を受けてください。
- ツールが異常に振動する、異常なノイズを発する、部品が緩んでいる、または何らかの損傷の兆候がある場合は、使用しないでください。
- ツールが異常な動作をする場合は、使用を中止し、補修および修理を直ちに依頼してください。

振動、反復動作など苦痛を感じる状態に長時間いると、負傷の原因となります。

ツールの使用中、動きや位置が急に変わる場合があります。

- 起動および操作中は、その動きの変化を予想し、注意して作業してください。
- ツールはしっかりと持ってください。
- 反動力を予想して作業してください。姿勢を直し、ツールをしっかりと持ってください。
- ツールを使用する前に、反転機構の位置をよく観察し、トリガーを押す際は回転方向に注意してください。

動作や位置の急激な変化は、負傷の原因となります。



もつれの危険性。

- 身体を回転部分に近づけないようにしてください。
- 長髪の方は、髪を収める安全ヘアキャップを着用してください。
- ハンドルは、乾いて汚れのない状態に保ち、油やグリースが付かないようにしてください。
- トリガーをオン位置にロックしたり、テープで固定したりしないでください。
- アクセサリを交換する前に、バッテリーパックを取り外してください。

もつれは負傷の原因となります。



警告

- インパクトレンチには、インパクトソケットとインパクトアクセサリのみを使用してください。ハンドソケットやパワーソケットを使用すると、ソケットの早期故障やユーザの負傷の原因となります。欠けたり、ヒビが入ったり、破損しているソケットやアクセサリを使用しないでください。
- CT9035/CT9038には、ソケットをしっかり留めるスチール製ロックリングが付いています。このリングは摩擦によりソケットを所定の位置に固定します。ソケットが外れやすくなった場合は、リングを定期的に交換する必要があります。

- ボールジョイント・フレキシブルソケットのみを使用してください。四角タイプのフレキシブルソケットはインパクト用のソケットではないため、これを使うと負傷の原因となります。
- 延長パーツを使う際は、ソケットが取り付けられる部品にまっすぐ入るようにインパクトレンチを持ってください。
- 加工作業中の物体は、クランプ（固定用器具）やその他の有効な方法を用いて安定するように固定・サポートしてください。

加工作業中の物体を手や体に押し付けて支えたりすると安定せず、制御不能となる可能性があります。



やけどの危険。

- バッテリーの液漏れは、過度の使用または極端な温度条件下で発生することがあります。
- 不適切な使用条件下では、バッテリーから液体が飛び出ることがあります。この液体には触れないでください。誤って触れた場合は、水で洗い流してください。液体が目に入った場合は、さらに医師の診察を受けてください。

バッテリーから出た液体は炎症またはやけどを引き起こすことがあります。

- バッテリーパックを使用する前に、スイッチがオフになっていることを確認してください。
- パワーツールのスイッチがオンになったままバッテリーパックをセットすると、事故の原因となります。
- 使用していないバッテリーパックを、衣服のポケットに入れしないでください。

バッテリーの液漏れやスパークはやけどや火災の原因となります。

バッテリーパックの安全に関する注意事項



警告



爆発または火災の危険。

- ツールとバッテリーは、温度が**49°C**以上となる場所に保管しないでください。
- 温度が0°C未満になるか45°Cを超えると、CTC131A/CTCA131A/CTCEU131A/CTCJ131A充電器はバッテリーの充電を行いません。
- バッテリーは、ひどく損傷したり完全に消耗した場合でも、焼却しないでください。バッテリーを火に投棄すると爆発することがあります。
- バッテリーパックを取り外した後、厚い接着テープでバッテリーパックの端子を覆ってください。
- バッテリーパックを破壊または分解したり、部品を取り外したりしないでください。
- エンジン発電機やDC電源を使用して、バッテリーパックを充電しないでください。
- バッテリーパックは換気の良い場所で充電してください。

爆発または火災は、負傷の原因となります。



感電の危険。

- バッテリーを分解しないでください。
- バッテリーをショートさせないでください。
- バッテリーパックを充電するときは、専用充電器以外を使用しないでください。
- 使用していないときや修理する前、またはアクセサリを交換するときは、バッテリーパックを取り外してください。
- エンジン発電機やDC電源を使用して、バッテリーパックを充電しないでください。

感電または火災は負傷の原因となります。



ショートと火災の危険。

- バッテリーパックをショートさせないでください。
 - 導電体を端子に接触させないでください。
 - 釘、ねじ、硬貨、その他の金属物質などの導電体と共にバッテリーパックを保管しないでください。
 - 導電体を入れたエプロンやポケットにバッテリーパックを入れしないでください。
- ショートすると、火災やひどいやけどの原因となります。

バッテリー廃棄に関する安全規則



本製品に使用するリチウムイオン電池の**RBRC™**シールは、これらのバッテリーの耐用年数が切れたときに、**Snap-on**が回収してリサイクルする産業プログラムに自動的に参加していることを示しています。

JA

When battery has reached end of life, please take it to your franchisee or a local battery recycler in accordance with local regulations. Alternately, return the battery for recycling to Snap-on Tools Japan K.K., 3F KDX Toyosu GrandSquare, 1-7-12, Shinonome, Koto-ku, Tokyo 135-0062 Japan

Customer Service Number: +81 3 5534 1284
Email: SOJ-INFO@snapon.co.jp

JA	<p>寿命に達したバッテリーは、管轄地域の法令に従い、担当代理店またはお近くのバッテリーリサイクル業者にお渡しください。もしくは、スナップオン・ツールズ株式会社 (〒135-0062 東京都江東区東雲1丁目7番12号 KDX豊洲クランスクエア3階)リサイクル担当までご返却ください。</p> <p>カスタマーサービス電話番号: +81 3 5534 1284 Eメールアドレス:SOJ-INFO@snapon.co.jp</p>
----	--

Snap-on の本プログラムへの関与は、環境を守り天然資源を保護するという方針の一環です。

FCC規制



この装置は、FCC規則第15部B節に適合していません。装置の動作は以下の2つの条件の対象となります。

1. この装置は有害な干渉を起こす可能性がなく、また
2. この装置は、望まない動作を引き起こす可能性がある干渉を含めて、受信したあらゆる干渉を受け取る必要がある。

警告



爆発または火災の危険。

- 使用済みバッテリーを違法投棄しないでください。使用したバッテリーは、リサイクルのため **Snap-on** 正規修理センターに返送してください。爆発または火災は、負傷の原因となります。



火災の危険。

- バッテリーを分解したり、バッテリー端子の突出部品を取り外したりしないでください。
- リサイクルをする前に、ショートを防ぐため、露出した端子を厚い絶縁テープで覆ってください。

火災は負傷の原因となります。

バッテリー充電器の安全に関する注意事項

警告



感電と火災の危険。

- ケースがひび割れたり損傷している場合は、バッテリーパックを充電器にセッティングしないでください。

感電または火災は負傷の原因となります。

- 感電の危険性を軽減するため、この電源コード(米国版)には極性プラグ(片方のブレードが他方より広い)が使用されています。このプラグは極性のあるコンセントに一定の方向でしか差し込めません。プラグがコンセントにいっぱいまで差し込めない場合には、プラグを裏返してください。それでも差し込めない場合には、資格のある電気技師に適切なコンセントを取り付けてもらってください。プラグは決して改造しないでください。
- **CTC131A/CTCA131A/CTCEU131A/CTCJ131A** 充電式バッテリーパックには、**CTB8185BK/CTB8187/CTB8172BK/CTB8174/CTB185/CTB1856** 以外の充電器を使用しないでください。他のタイプのバッテリーを充電すると破裂して、ケガまたは損傷の原因となります。

- 不適切な使用条件下では、バッテリーから液体が飛び出ることがあります。この液体には触れないでください。誤って触れた場合は、水で洗い流してください。液体が目に入った場合は、さらに医師の診察を受けてください。

バッテリーから出た液体は炎症またはやけどを引き起こすことがあります。

- 2台の充電器を同時に接続しないでください。
- 充電器を雨や雪にさらさないでください。
- 充電器を取り外すときは、コードではなくプラグを持ってください。
- コードが踏まれていないか、つまずきやすい場所がないか、損傷していないか、または圧迫されていないか、確認してください。



爆発の危険。

- ユーザおよびその周辺にいる者は、必ず安全保護メガネを着用してください。爆発により目を損傷する恐れがあります。



パワーツールおよびアクセサリを不適切に使用しないでください。ツールが破損する原因となります。

- 充電器を使用する前に、充電器、バッテリー、およびバッテリーを使用する製品のすべての取扱説明書内容と注意マークをお読みください。

故障したツールは、負傷の原因となります。

重要な安全の手引き 必ず保管してください



感電と火災の危険。

危険—火災または感電の危険性を減少させるため、以下の指示に慎重に従ってください。

- この取扱説明書には、**Snap-on** CTC131A/CTCA131A/CTCEU131A/CTCJ131A充電器に関する重要な安全の手引きおよび操作説明が記載されています。
- 充電器を使用する前に、充電器、バッテリー、およびバッテリーを使用する製品のすべての取扱説明書内容と注意マークをお読みください。
- 注意**—注意—負傷を防止するために、CTB8185BK/CTB8187/CTB8172BK/CTB8174/CTB185/CTB1856タイプの充電式バッテリーのみを充電してください。他のタイプのバッテリーを充電すると破裂する場合があります、負傷または損傷の原因となります。
- 充電器を雨や雪や湿気にさらさないでください。
- バッテリー充電器のメーカーが推奨または販売する付属部品以外のものを使うと、火災、感電、負傷の原因となります。
- コードの破損を防止するために、充電器を取り外すときは、コードではなくプラグを持って引っ張ってください。
- コードが踏まれる場所やつまずきやすい場所など破損や圧迫を受けやすいところに置かれていないことを確認してください。
- 破損したコードを使って充電器を使用せずに直ちに交換してください。
 - CTC131A/CTCA131A/CTCEU131A/CTCJ131A充電器のコード交換は、同一の **Snap-on**コードと交換する必要があります。
- 充電器を落としたり、強烈的な衝撃が加えられたり、何らかの破損がある場合は、充電器を使用しないで、正規サービスセンターに充電器をお持ちください。
- 充電器を分解しないでください。サービスや修理が必要な場合には、正規サービスセンターに充電器をお持ちください。組み立て方を誤ると、感電や火災の原因となります。
- 感電を防止するため、メンテナンスや洗浄を行う前に、コンセントから充電器のプラグを抜いてください。スイッチを切るだけでは、感電を防止できません。
- 充電器は、器具の使用に関して安全責任者による監督あるいは指示がある場合を除いて、運動能力や知覚能力、知力が劣る方（子供を含む）、

あるいは経験や知識不足の方によって使用されないようにしてください。

- 子供が充電器で遊ばないように、監督する必要があります。
- 再充電不可のバッテリーを充電しないでください。
- 2台の充電器を同時に接続しないでください。
- 充電器の修理は、同一交換部品を使用し、専門の修理技師が行ってください。これにより、充電器の安全性が保たれます。
- 最寄りの**Snap-on**修理センターの場所については、**Snap-on**顧客サービス (1-877-762-7664)までお問い合わせください。
- バッテリーの爆発の危険を防止するために、本取扱説明書およびバッテリーに記されている留意事項に従ってください。
- バッテリーやエンジンのある付近では、喫煙、露出した火花や、火の使用を絶対に行わないでください。
- バッテリーが凍っている場合は決して充電しないでください。
- 締め切った場所や換気が制限されている場合には、充電器を決して使用しないでください。
- どうしても必要な場合を除き、延長コードを使用しないでください。延長コードを使用する必要がある場合は、以下のことを確認してください。
 - 延長コードのプラグピンと充電器のプラグが同一の数、サイズ、形状であること。
 - 延長コードが正しく配線されており、電気条件が良好であること。
 - ワイヤサイズが、下表に示す充電器の各ACアンペア定格に対するサイズ条件を満たすこと。

100-120ボルト充電器 コード長 (フィート)	ワイヤサイズ (AWG)
25	18
50	18
100	18
220-240ボルト充電器 コード長 (m)	ワイヤサイズ (mm)
50	0.75
75	1.0

推奨延長コード長

これらの説明書を 大切に保管してください

機能の説明

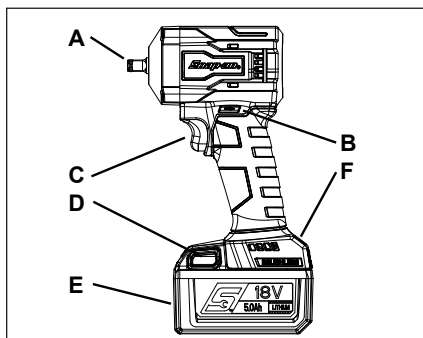


図 1: コードレスインパクトレンチ

- A. 摩擦リングアンビル
- B. 正逆切替バー
- C. トリガ
- D. リリースボタン
- E. バッテリーパック
- F. パワー選択ボタン

*注意:公表された振動合成値と騒音放出レベルは、標準的な試験方法で測定されたもので、ツールの比較に利用できません。公表された振動合成値と騒音放出レベルは、予備的な曝露評価にも利用できます。

警告

パワーツールを実際に使用する際の振動および騒音は、ツールの利用状態、特に加工するピースによって、公表された値とは異なる場合があります。実際の利用状況（ツールの電源を切っている時間、トリガー時間に加えてアイドルしている時間など、稼働サイクルのあらゆる部分を考慮）を考えた曝露量の見積もりに基づいて安全措置を見極め、作業者を保護してください。

Snap-on では、スナップオンは記載された値の代わりに、当社が関与しないそれぞれの職場環境におけるリスクアセスメントによって決定した値を使用することについて責任を負いません。

仕様

インパクトレンチの仕様

スクエアドライブのサイズ.....
 CT9035.....1/2インチ (13 mm)
 CT9038.....3/8インチ (10 mm)
 締め付けトルク.....370 N•m
 ボルト剥離トルク.....712 N•m
 フリースピード.....2050 RPM
 毎分インパクト数.....3300 ipm
 モーター電圧.....18.0 VDC

バッテリーパックを含む重量 (リチウムイオン)
4.4 lbs. (2.0 kg)

騒音* (EN規格62841に基づきテスト済み)
 CT9035
 音圧レベル (A).....93.8 dB
 不確実性、K.....0.84 dB
 音響出力レベル (A).....105.4 dB
 不確実性、K.....0.84 dB

CT9038
 音圧レベル (A).....95.3 dB
 不確実性、K.....0.45 dB
 音響出力レベル (A).....106.9 dB
 不確実性、K.....0.45 dB

振動* (EN規格62841に基づきテスト済み)
 CT9035
 振動レベル.....4.91 m/s²
 不確実性、K.....0.71 m/s²
 CT9038
 振動レベル.....6.62 m/s²
 不確実性、K.....1.37 m/s²

記号

記号	
	取扱説明書/冊子を参照
	保護メガネを着用してください
	聴覚保護具を着用してください
	振動の危険
	ボルト
	直流
n_0 xxx/min	アイドル回転数
	CE マーキング
	米国・カナダ UL SOLUTIONS

	米国- カナダ UL SOLUTIONS
	FCC 連邦通信委員会
	日本電気安全 テュフラインランド
	二重絶縁
BFP	バックフィード保護
	バッテリーは適切にリサイクルしてください
	ごみ箱に捨てないでください
	カリフォルニア-タイトル20適合
	UKCA (英国適合性評価) マーキング
	RCM (規制適合安全マーク)

バッテリーパックの仕様

	CTB185/ CTB8187	CTB1856
タイプ	リチウムイオン	リチウムイオン
電圧	18 VDC (3.6 V x 5 セル ペア)	18 VDC (3.6 V x 5 セル ペア)
重量	~0.68 kg	~0.68 kg
充電時間	セクションバッテリー充電を参照してください	
寿命	1000サイクル (1サイクル=1充電と1放電)	
充電容量	5.0 Ah	5.6 Ah
放電温度範囲	-20°C ~ 60°C	

バッテリー充電器の仕様

	CTC131A/CTCA131A/ CTCEU131A/CTCJ131A
入力	100-240V、50/60Hz
出力	5.0 A
出力 USB 電源ポート	0.5Aで5.0VDC
重量	~0.95 kg
充電温度範囲	0°C ~ 45°C

操作

Snap-on コードレスインパクトレンチは、工業分野および自動車分野における様々なねじ部品締め付け作業に最適なツールです。**Snap-on**インパクトソケットを使用すれば、パワーと速度が大幅にアップし仕事効率が上がるため、作業者は疲れることなく作業を行うことができます。インパクトレンチは、空気ホースや電気コードが必要となるその他の製品とは異なり、自由に移動させることができます。

用途

摩擦リングアンビル

- インパクトソケットを取り付ける際は、正逆切替バーをセンター位置に設定するか、バッテリーパックを取り外して、ツールが偶発的に作動しないようにしてください。
- ソケットの四角をアンビルの先の4箇所を平らな部分に合わせます。
- 止まるまでソケットを摩擦リングに押し込みます。

4. インパクトソケットを取り外すには、ソケットをしっかりと握りアンビルから抜きます。

このタイプのアンビルは、自動車修理工場などの定期的なソケットの交換に向いています。

速度選択ボタンの使用

速度選択ボタンを使って、アンビル回転数、打撃速度、トルク出力を設定します。

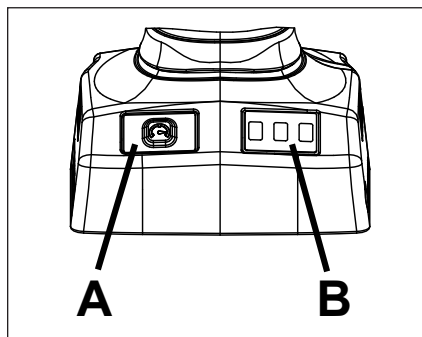


図 2: 速度選択ボタン

速度設定は、CCW (逆転) と CW (正転) に個別に設定できます。この機能はファスナーを全速で外し、より低い速度で制御しながら取り付け直すのに使用できます。

- トリガを引いて解除し、ツールを動作させます。現在選択されている速度設定値が表示されます。(下図参照)
- 速度選択ボタンを押し進めて設定したい速度設定値が点灯したら、作業を開始してください。

速度設定	速度選択表示	速度	IPM	トルク % *
1	●○○	0-1000	0-2000	0-25%
2	●●○	0-1525	0-2850	0-50%
3	●●●	0-2050	0-3150	0-100%

* 3/8"の六角ボルトを使った場合に得られるトルク (締め付け力) の割合 (%)。トルクを確認するには、必ずトルクレンチを使用してください。

点灯色	回転方向
緑	反時計回り (逆回転)
赤	時計回り (正回転)

正逆切替スイッチ

正逆切替スイッチにより、アンビルの回転方向を時計回りあるいは反時計回りに設定します。

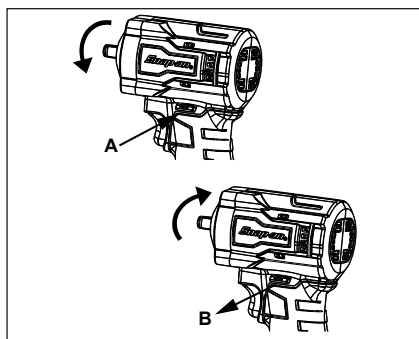


図 3: 正逆切替スイッチ

- スイッチを押すと逆回転し、すなわち反時計回りに回転します。
- スイッチを放すと正回転、または時計回りに回転します。

アンビルの回転方向を変更するには:

- 必ず、インパクトレンチが完全に停止し作動していないことを確認してください。
- 正逆切替スイッチにより、アンビルの回転方向を決定します。工具を上図のように置いている場合、スイッチの位置は次のようになります。
 - 正 (上B)、アンビルは時計回りに回転します。
 - 逆 (上A)、アンビルは反時計回りに回転します。
- ツールを操作するには、スイッチを正逆いずれかの位置設定する必要があります。スイッチをセンター位置に設定すると、スイッチはオフにロックされます。

トリガ

トリガを押すとアンビルが回転します。操作を行うには、レバーを正逆いずれかの位置に設定する必要があります。OFF位置にすると、トリガをロックすることができます。トリガをオフの位置にロックすると、未使用時にインパクトレンチが偶発的に作動してしまう危険を防ぐことができます。レバーをセンター位置に設定すると、トリガをロックすることができます。工具を使用しない間は、トリガをロックしてください。

過負荷

何らかの理由で、スイッチまたはバッテリーが過剰加熱となり、工具に過負荷がかかると、内部電子回路が作動し工具が停止します。これは工具の過熱を防ぐための安全機能です。トリガを解放すると操作が再開されます。

- バッテリーの過熱 - バッテリーの4つのLEDライトがすべて点滅します。これはバッテリーの内部温度が高すぎることを示すもので、バッテリーおよび工具を長持ちさせるため、動作が停止します。各トリガを引いた後も、温度が許容レベルに下がるまで、ライトは4分間点滅を続けます。バッテリーまたは工具の冷却を速

めるために、ファン冷却を使用することができます。

- 工具の過熱 - LED が点滅します。継続的に過負荷条件で工具を使用し続けると、スイッチの内部温度が制限値に達し、工具が一時的に使用できなくなります。工具を空冷させてから操作を再開してください。

バッテリーの充電

1. 電源コードのプラグを充電器のソケットに差し込みます。
2. コードプラグのもう一端を電源コンセントに差し込みます。
3. バッテリーパックを充電器に差し込みます。バッテリーパックを正しく充電器に置くと、充電器の上部が点滅します。
 - 緑のライトが点滅し始めます。これは充電器がバッテリーパックを充電中であることを示しています。
4. バッテリーパックの燃料ゲージに充電率のパーセント値が表示されます。
 - バッテリーが25%充電されると、1つのライトが緑に点灯します。

バッテリーパック	CTC131A/CTCA131A/ CTCEU131A/CTCJ131A 充電器
CTB185/CTB8187	~ 90 分
CTB1856	~ 100 分

5. 高速充電が完了すると、バッテリーパックの4つのライトがすべて緑に点灯します。これはバッテリーが完全に充電されたことを示し、充電器でも緑のライトが点灯します。
6. 右側のLEDが黄色に点滅している場合は、バッテリーパックが熱過ぎるか冷た過ぎるかなどの故障があることを意味します。充電器が熱すぎたり冷たすぎたりすると、バッテリーを高速で充電できません。バッテリー温度が0°C~45°Cの間、充電器は高速充電モードに入ります。
7. 右側のLEDが赤色に点滅している場合は、バッテリーパックが故障しているため、充電器はバッテリーを充電できません。
8. 高速充電が完了すると、充電器がバッテリーの電圧を検知し、過充電を防ぐため自動的に電源が切れ、バッテリー燃料ゲージの4個のライトがすべてオンになり、緑のライトが点灯します。
9. 充電器にはUSBポートが1つ装備されており、出力電流は0.5Aで出力電圧は5VDCです。0.5 Aを超えた電流を必要とする機器に接続しないでください。

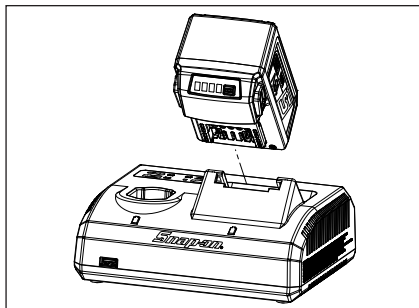


図4: バッテリーの挿入

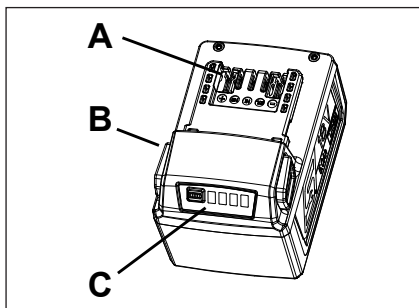


図5: バッテリーパック (CTB185/CTB1856)

- A. 端子
- B. ラッチボタン
- C. 燃料ゲージ

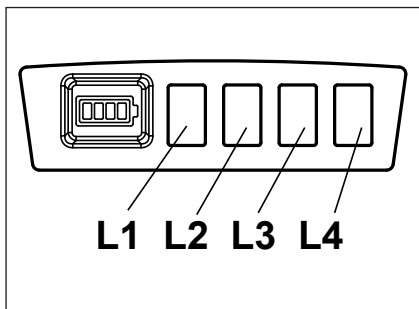


図6: バッテリーパック (CTB185/CTB1856)

- L1 - ソリッドライト 25% 充電
- L2 - ソリッドライト 50% 充電
- L3 - ソリッドライト 75% 充電
- L4 - ソリッドライト 100% 充電

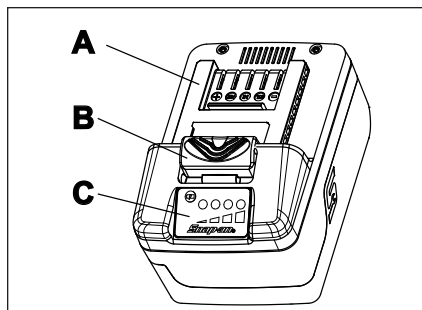


図 7: バッテリーパック (CTB8187)

- A. 端子
B. ラッチボタン
C. 燃料ゲージ

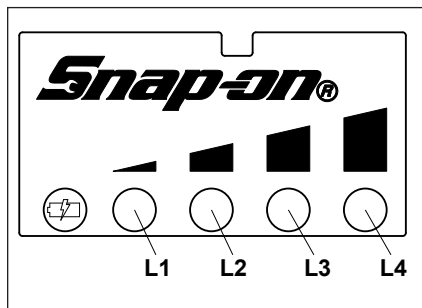


図 8: 燃料ゲージ (CTB8187)

- L1 - ソリッドライト 25% 充電
L2 - ソリッドライト 50% 充電
L3 - ソリッドライト 75% 充電
L4 - ソリッドライト 100% 充電

バッテリーパック

燃料ゲージ

燃料ゲージボタンを押すと、表示ライトが点灯し、バッテリーパックの残存使用時間が表示されます。ライトは5秒間点灯します。

注: 燃料ゲージL1が点滅している場合は、バッテリーパックを充電します。

充電サイクルカウンタ

10秒間燃料ゲージボタンを押して、充電サイクルカウンタの値を読み取ります。

点滅の回数を数えて、サイクルカウンタを割り出します。

例 1:

- L1 - 1回点滅
L2 - 3回点滅
L3 - 4回点滅
L4 - 5回点滅

バッテリーが1,345回充電されたことを意味します

- 例 2:
L1 - 点滅なし
L2 - 6回点滅
L3 - 7回点滅
L4 - 8回点滅

バッテリーが678回充電されたことを意味します

バッテリーパックの保護

バッテリーの寿命および性能を最高に保つために、リチウムイオン電池の保護回路はバッテリーの電圧、放電のアンペア数と温度を監視します。バッテリーの電圧が使用可能範囲以下に低下した場合は、バッテリーが遮断され、1番目のLEDが10秒間点滅します。バッテリーを充電する必要があります。バッテリーの放電アンペアレージを限界電流まで使用すると、過負荷のために保護回路がツールを停止します。工具の操作はすぐに再開できます。

寒中操作

リチウムイオン電池は、最低-20°Cまでの温度で使用可能です。バッテリーパックが非常に冷たい場合は、無負荷でツールを使用してバッテリーを温めてから、標準の方法でツールを使用してください。

暑中操作

リチウムイオン電池の温度が70°Cに達した場合は、保護回路によりバッテリーが遮断され、4個のLEDがすべて4分間点滅します。65°C以下に冷却された時点で、バッテリーが正常の機能を回復します。

保管

バッテリーを水や雨にさらさないでください。バッテリーパックが破損することがあります。

バッテリーは、保管する前に完全に充電してください。適正寿命を保つために、リチウムイオンバッテリーはすべて湿気を避けて室温で保管してください。バッテリーは49°C以上の高温で長期間保管すると、永久的な容量損失が発生することがあります。

保守

修理

ツールの修理には細心の注意および知識を要します。修理は正規修理員のみが行ってください。

- ツールを使用する前は、必ず破損している部分がないかどうか確認してください。
- 破損した部品がある場合は、使用前に交換あるいは修理してください。作動部品が正しく取り付けられていることを確認してください。作動部品や破損部品を結合したまま使用すると、操作に不具合が生じる可能性があります。
- 破損した部品は、正規サービスセンターで正しく修理するか交換してください。

- スイッチを押しても装置をオンまたはオフにできない場合は、ツールを使用しないでください。
- ツールの適切な整備を行ってください。性能をよりよく安全に発揮させるため、本ツールは常に乾燥した清潔な状態に保つようし、オイルやグリースなどが付着しないようにしてください。
- 最寄りの **Snap-on** 修理センターの場所については、**Snap-on** 顧客サービス (1-877-762-7664) までお問い合わせください。

(北米のみ)

Northern Repair Center
3011 E Route 176
Crystal Lake IL 60014

(北米以外)

P.95の連絡先ご参照

- リチウムイオンバッテリーを短時間で充電または放電するときには、バッテリーパックの内部がかなり高温になります。これは異常ではありません。
- 理想的な使用条件では、リチウムイオンバッテリーパックは充電/放電サイクルを1000回繰り返すことができます。お手入れやメンテナンスが不適切であれば、バッテリーの寿命およびバッテリーが電力を維持できる時間が短くなります。
- CTBシリーズバッテリーパックと明記されている、**Snap-on**の充電装置以外は使用しないでください。
- バッテリーパックをショートさせることは避けてください。大量の電流が放電され、パックが永久的な損傷を受ける場合があります。

警告

- バッテリーを取り外す前に、充電器をコンセントから抜いてください。
- 工具を分解する前に、バッテリーパックを工具から外してください。バッテリーパックをショートさせると、火災や人身傷害の原因となります。
- 安全装置を使用してください。常に保護メガネを着用してください。

Notes:

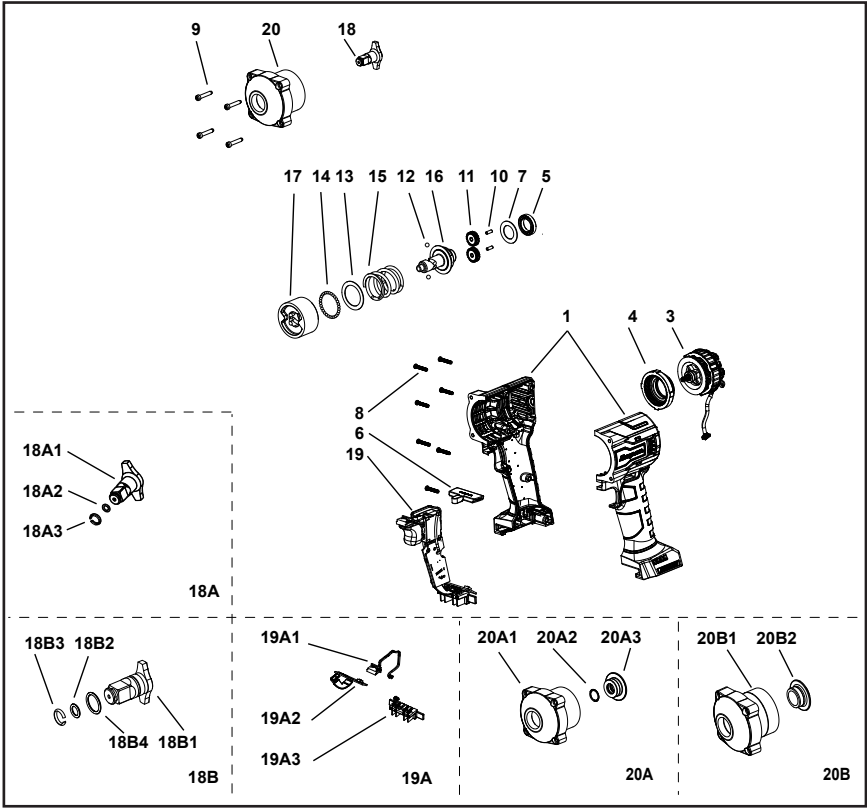


Figure 9: Cordless Impact Wrench Exploded View

Parts Listing

Ref	Description	Qty	Part Number	Ref	Description	Qty	Part Number
1	housing set	1	CT9038-100R	18B	1/2" hog ring anvil	1	CT9035-113R
2	n/a			18B1	anvil	1	CT9035-113
3	18V brushless DC motor	1	CT9038-50	18B2	o-ring	1	ME7B3
4	ring gear	1	CT9038-107BPM	18B3	retaining ring	1	ME7A97
5	bearing	1	ME11A63	18B4	o-ring	1	ME7B68
6	forward/reverse bar	1	CT8950-16A	19A	controller assembly	1	CT9038-217
7	ring gear washer	1	ME5A218	19A1	LED assembly		CT9010-60
8	thread forming screw	8	ME3L33-2	19A2	speed control PCB		CT8950-62
9	thread forming screw	4	ME3L46	19A3	terminal block repair kit		CT7850-130
10	pin	2	ME2A206	20A	3/8" nose housing	1	CT9038-103B
11	planetary gear	2	CT9038-6A	20A1	nose housing machined	1	CT9038-103BMB
12	ball	2	ME9A43	20A2	nose bushing	1	CT9038-104A
13	ball	30	ME9A14	20A3	o-ring	1	ME7B158
14	thrust washer	1	ME5A215	20B	1/2" nose housing	1	CT9035-103B
15	compression spring	1	CT9038-206A	20B1	nose housing machined	1	CT9038-103B
16	gear carrier driveshaft	1	CT9038-162	20B2	nose bushing	1	CT9035-104
17	hammer	1	CT9038-111				
18A	3/8" hog ring anvil	1	CT9038-113R				
18A1	anvil	1	CT9038-113				
18A2	o-ring	2	ME7B63				
18A3	retaining ring	1	ME7A148				

* included in assembly, use as required
 ** not shown

Charger Parts List

Order Number	Description	Body Part No.	Cord Part No.
CTC131A	14.4V/18V Dual Bay Charger and Cord for USA	CTC131A**	CTC720-120 *
CTCA131A	14.4V/18V Dual Bay Charger and Cord for Australia	CTC131A**	CTCA720-120 *
CTCEU131A	14.4V/18V Dual Bay Charger and Cord for Europe 14.4V/18V Dual Bay Charger and Cord for United Kingdom	CTC131A**	CTCE720-120 * CTCU720-120 *
CTCJ131A	14.4V/18V Dual Bay Charger and Cord for Japan	CTC131A**	CTCJ720-120 *

* User Replaceable Parts

**Not Sold Separately

Battery Pack Parts List

Part Number	Description
CTB185	18V Battery
CTB8187	18V Battery
CTB1856	18V Battery

UKCA DECLARATION OF CONFORMITY



This declaration of conformity is issued under the sole responsibility of the manufacturer:

Snap-on Tools Company
2801 80th Street
Kenosha, WI 53143, U.S.A.

OBJECT OF DECLARATION:

Product: Cordless Impact Wrench
Model No: CT9035/CT9038 Series
Serial Number: 2314XXXX-->XXXXXXXXXX

The object of the declaration described above is in conformity with the relevant Union harmonisation legislation:

Supply of Machinery (Safety) Regulations 2008
Electromagnetic Compatibility Regulations 2016
Regulation: Restriction of the Use of Certain Hazardous Substances in Electrical and Electronic Equipment Regulations 2012 (amended)

References to the relevant harmonised standards used or references to the specifications in relation to which conformity is declared:

Safety: BS EN 62841-2-2:2014
EMC: BS EN 55014-1:2017+A11:2020
EMC: BS EN 55014-2:2015
RoHS: EN IEC 63000:2018

OBJECT OF DECLARATION:

Product: Battery Charger Series
Model No: CTC131A
Serial Number: 2224XXXXX-->XXXXXXXXXX

The object of the declaration described above is in conformity with the relevant Union harmonisation legislation:

Electrical Equipment (Safety) Regulations 2016
Electromagnetic Compatibility Regulations 2016

References to the relevant harmonised standards used or references to the specifications in relation to which conformity is declared:

Safety: EN 60335-2-29:2004 + A2:2010
EMF: EN 62233:2008 + AC:2008
EMC: EN 55014-1:2017+A11
EMC: EN IEC 61000-3-2:2019
EMC: EN 61000-3-3:2013+A1
EMC: EN 55014-2:2015

OBJECT OF DECLARATION:

Product: Battery Pack
Model No: CTB185/CTB8187/CTB1856
Serial Number: 2027XXXX-->XXXXXXXXXX

The object of the declaration described above is in conformity with the relevant Union harmonisation legislation:

Electromagnetic Compatibility Regulations 2016
 References to the relevant harmonised standards used or references to the specifications in relation to which conformity is declared:

CTB185
Safety: BS EN 62133-2:2017
EMC: BS EN 55014-1:2017+A11:2020
EMC: BS EN 55014-2:2015

CTB8187
Safety: BS EN 62133-2:2017
EMC: BS EN 55014-1:2017+A11:2020
EMC: BS EN 55014-2:2015

CTB1856
Safety: BS EN 62133-2:2017
EMC: EN 55014-1:2017+A11:2020
EMC: EN 55014-2:2015
EMC: CISPR 14-1:2016+COR1:2016 Ed 6.0
EMC: CISPR 14-2:2015 Ed 2.0

The authorized representative located within the United Kingdom (UK) is:

Matthew Law
Snap-on Tools Ltd
Telford Way Industrial Estate
Kettering, Northants
NN16 8SN
United Kingdom

Signed for and on behalf of the above named manufacturer:

Place and date of issue:
Kenosha WI 53143, USA
04-2024

Name, function:
Charles R Frontczak
Director of Cordless Engineering - Power Tools

Signature:

www.snapon.com

EC DECLARATION OF CONFORMITY



This declaration of conformity is issued under the sole responsibility of the manufacturer:

Snap-on Tools Company
2801 80th Street
Kenosha, WI 53143, U.S.A.

OBJECT OF DECLARATION:

Product: Cordless Impact Wrench
Model No: CT9035/CT9038 Series
Serial Number: 2314XXXX-->XXXXXXXXXX

The object of the declaration described above is in conformity with the relevant Union harmonisation legislation:

Machinery Directive: 2006/42/EC
Electromagnetic Compatibility Directive: 2014/30/EU
RoHS 3 Directive: 2015/863

References to the relevant harmonised standards used or references to the specifications in relation to which conformity is declared:

Safety: EN 62841-2-2:2014
EMC: EN 55014-1:2017+A11:2020
EMC: EN 55014-2:2015
RoHS: EN IEC 63000:2018

OBJECT OF DECLARATION:

Product: Battery Charger Series
Model No: CTC131A
Serial Number: 2224XXXXX-->XXXXXXXXXX

The object of the declaration described above is in conformity with the relevant Union harmonisation legislation:

Low Voltage Directive: 2014/35/EU
Electromagnetic Compatibility Directive: 2014/30/EU

References to the relevant harmonised standards used or references to the specifications in relation to which conformity is declared:

Safety: EN 60335-2-29:2004 + A2:2010
EMF: EN 62233:2008 + AC: 2008
EMC: EN 55014-1:2017+A11
EMC: EN IEC 61000-3-2:2019
EMC: EN 61000-3-3:2013+A1
EMC: EN 55014-2:2015

OBJECT OF DECLARATION:

Product: Battery Pack
Model No: CTB185/CTB8187/CTB1856
Serial Number: 2027XXXX-->XXXXXXXXXX

The object of the declaration described above is in conformity with the relevant Union harmonisation legislation:

Electromagnetic Compatibility Directive: 2014/30/EU
 References to the relevant harmonised standards used or references to the specifications in relation to which conformity is declared:

CTB185
Safety: BS EN 62133-2:2017
EMC: BS EN 55014-1:2017+A11:2020
EMC: BS EN 55014-2:2015

CTB8187
Safety: BS EN 62133-2:2017
EMC: BS EN 55014-1:2017+A11:2020
EMC: BS EN 55014-2:2015

CTB1856
Safety: BS EN 62133-2:2017
EMC: EN 55014-1:2017+A11:2020
EMC: EN 55014-2:2015
EMC: CISPR 14-1:2016+COR1:2016 Ed 6.0
EMC: CISPR 14-2:2015 Ed 2.0

The authorized representative located within the European Union (EU) is:

Francesco Frezza
Snap-on Equipment
Via Prov. Carpi, 33
42015 Correggio RE
Italy

Signed for and on behalf of the above named manufacturer:

Place and date of issue:
Kenosha WI 53143, USA
04-2024

Name, function:
Charles R Frontczak
Director of Cordless Engineering - Power Tools

Signature:

www.snapon.com

EG-VERKLARING VAN OVEREENSTEMMING



Voor de afgifte van deze verklaring van overeenstemming is uitsluitend de fabrikant verantwoordelijk:

Snap-on Tools Company
2801 80th Street
Kenosha, WI 53143, VS

ONDERWERP VAN DE VERKLARING:

Product: Draadloze moeraanzetter

Modelnr.: Serie CT9035/CT9038

Serienummer: 2314XXXX-->XXXXXXXXXX

Het onderwerp van de bovenstaande verklaring voldoet aan de relevante harmonisatiewetgeving van de Europese Unie:

Machinerichtlijn: 2006/42/EG

Richtlijn betreffende elektromagnetische compatibiliteit: 2014/30/EU

RoHS-3-richtlijn: 2015/863

Verwijzingen naar de relevante gebruikte geharmoniseerde normen of verwijzingen naar de specificaties waarmee overeenstemming wordt verklaard:

Veiligheid: EN 62841-2-2:2014

EMC: EN 55014-1:2017+A11:2020

EMC: EN 55014-2:2015

RoHS: EN IEC 63000:2018

ONDERWERP VAN DE VERKLARING:

Product: Batterijopladerserie

Modelnr.: CTC131A

Serienummer: 2224XXXXX-->XXXXXXXXXX

Het onderwerp van de bovenstaande verklaring voldoet aan de relevante harmonisatiewetgeving van de Europese Unie:

Laagspanningsrichtlijn: 2014/35/EU

Richtlijn betreffende elektromagnetische compatibiliteit: 2014/30/EU

Verwijzingen naar de relevante gebruikte geharmoniseerde normen of verwijzingen naar de specificaties waarmee overeenstemming wordt verklaard:

Veiligheid: EN 60335-2-29:2004 + A2:2010

EMF: EN 62233:2008 + AC:2008

EMC: EN 55014-1:2017+A11

EMC: EN IEC 61000-3-2:2019

EMC: EN 61000-3-3:2013+A1

EMC: EN 55014-2:2015

ONDERWERP VAN DE VERKLARING:

Product: Accu

Modelnr.: CTB185/CTB8187/CTB1856

Serienummer: 2027XXXX-->XXXXXXXXXX

Het onderwerp van de bovenstaande verklaring voldoet aan de relevante harmonisatiewetgeving van de Europese Unie:

Richtlijn betreffende elektromagnetische compatibiliteit: 2014/30/EU

Verwijzingen naar de relevante gebruikte geharmoniseerde normen of verwijzingen naar de specificaties waarmee overeenstemming wordt verklaard:

CTB185

Veiligheid: BS EN 62133-2:2017

EMC: BS EN 55014-1:2017+A11:2020

EMC: BS EN 55014-2:2015

CTB8187

Veiligheid: BS EN 62133-2:2017

EMC: BS EN 55014-1:2017+A11:2020

EMC: BS EN 55014-2:2015

CTB1856

Veiligheid: BS EN 62133-2:2017

EMC: EN 55014-1:2017+A11:2020

EMC: EN 55014-2:2015

EMC: CISPR 14-1:2016+COR1:2016 Ed 6.0

EMC: CISPR 14-2:2015 Ed 2.0

De gevolmachtigde vertegenwoordiger in de Europese Unie (EU) is:

Francesco Frezza
Snap-on Equipment
Via Prov. Carpi, 33
42015 Correggio RE
Italy

Getekend voor en namens bovenstaande fabrikant:

Plaats en datum van uitgifte:

Kenosha, WI 53143, VS
04-2024

Naam, functie:

Charles R Frontczak
Director of Cordless Engineering - Power Tools

Handtekening:

www.snapon.com

DÉCLARATION DE CONFORMITÉ POUR L'UNION EUROPÉENNE



Cette déclaration de conformité est établie sous la seule responsabilité du fabricant :

Snap-on Tools Company
2801 80th Street
Kenosha, WI 53143, É.-U.

OBJET DE LA DÉCLARATION:

Produit : Clé à chocs sans fil
Modèle : CT9035/CT9038 Série
Numéro de série : 2314XXXX-->XXXXXXXX

L'objet de la déclaration décrit ci-dessus est en conformité avec la législation d'harmonisation européenne pertinente :

Directive sur les machines : 2006/42/EC
Directive relative à la compatibilité électromagnétique : 2014/30/EU

Directive RoHS 3 : 2015/863

Les références aux normes harmonisées utilisées ou référencées dans les spécifications en vertu desquelles la conformité est déclarée :

Sécurité : EN 62841-2-2:2014
EMC : EN 55014-1:2017+A11:2020
EMC : EN 55014-2:2015
RoHS: EN IEC 63000:2018

OBJET DE LA DÉCLARATION:

Produit : Séries de chargeurs de batterie
Modèle : CTC131A
Numéro de série : 2224XXXX-->XXXXXXXX

L'objet de la déclaration décrit ci-dessus est en conformité avec la législation d'harmonisation européenne pertinente :

Directive basse tension : 2014/35/EU
Directive relative à la compatibilité électromagnétique : 2014/30/EU

Les références aux normes harmonisées utilisées ou référencées dans les spécifications en vertu desquelles la conformité est déclarée :

Sécurité : EN 60335-2-29:2004 + A2:2010
EMF : EN 62233:2008 + AC: 2008
EMC : EN 55014-1:2017+A11
EMC : EN IEC 61000-3-2:2019
EMC : EN 61000-3-3:2013+A1
EMC : EN 55014-2:2015

OBJET DE LA DÉCLARATION:

Produit : Bloc-batterie
Modèle : CTB185/CTB8187/CTB1856
Numéro de série : 2027XXXX-->XXXXXXXX

L'objet de la déclaration décrit ci-dessus est en conformité avec la législation d'harmonisation européenne pertinente :

Directive relative à la compatibilité électromagnétique : 2014/30/EU

Les références aux normes harmonisées utilisées ou référencées dans les spécifications en vertu desquelles la conformité est déclarée :

CTB185

Sécurité : BS EN 62133-2:2017
EMC : BS EN 55014-1:2017+A11:2020
EMC : BS EN 55014-2:2015

CTB8187

Sécurité : BS EN 62133-2:2017
EMC : BS EN 55014-1:2017+A11:2020
EMC : BS EN 55014-2:2015

CTB1856

Sécurité : BS EN 62133-2:2017
EMC : EN 55014-1:2017+A11:2020
EMC : EN 55014-2:2015
EMC : CISPR 14-1:2016+COR1:2016 Ed 6.0
EMC : CISPR 14-2:2015 Ed 2.0

Le représentant agréé dans l'Union Européenne (UE) est :

Francesco Frezza
Snap-on Equipment
Via Prov. Carpi, 33
42015 Correggio RE
Italy

Signé pour et au nom du fabricant nommé ci-dessus:

Lieu et date de délivrance:
Kenosha, WI 53143, É.-U.

04-2024

Nom, fonction:

Charles R Frontczak

Directeur de l'ingénierie des outils électriques sans fil

Signature:

www.snapon.com

EG-KONFORMITÄTSERKLÄRUNG



Diese Konformitätserklärung wird unter der alleinigen Verantwortung des Herstellers herausgegeben:

Snap-on Tools Company
2801 80th Street
Kenosha, WI 53143, USA

GEGENSTAND DER ERKLÄRUNG:

Produkt: Akku-Schlagschrauber
Modell-Nr.: Serie CT9035/CT9038
Seriennummer: 2314XXXX-->XXXXXXXXX

Der Gegenstand der oben genannten Erklärung erfüllt die einschlägigen Harmonisierungsrechtsvorschriften der Union:

Maschinenrichtlinie: 2006/42/EG
Richtlinie für elektromagnetische Verträglichkeit: 2014/30/EU
RoHS-3-Richtlinie: 2015/863

Verweise auf die verwendeten einschlägigen harmonisierten Normen oder Bezugnahme auf Spezifikationen, anhand derer die Konformität erklärt wird:

Sicherheit: EN 62841-2-2:2014
EMC: EN 55014-1:2017+A11:2020
EMC: EN 55014-2:2015
RoHS: EN IEC 63000:2018

GEGENSTAND DER ERKLÄRUNG:

Produkt: Akkuladegerät-Serie
Modell-Nr.: CTC131A
Seriennummer: 2224XXXX-->XXXXXXXXX

Der Gegenstand der oben genannten Erklärung erfüllt die einschlägigen Harmonisierungsrechtsvorschriften der Union:

Niederspannungsrichtlinie: 2014/35/EU
Richtlinie für elektromagnetische Verträglichkeit: 2014/30/EU

Verweise auf die verwendeten einschlägigen harmonisierten Normen oder Bezugnahme auf Spezifikationen, anhand derer die Konformität erklärt wird:

Sicherheit: EN 60335-2-29:2004 + A2:2010
EMF: EN 62233:2008 + AC: 2008
EMC: EN 55014-1:2017+A11
EMC: EN IEC 61000-3-2:2019
EMC: EN 61000-3-3:2013+A1
EMC: EN 55014-2:2015

GEGENSTAND DER ERKLÄRUNG:

Produkt: Akku
Modell-Nr.: CTB185/CTB8187/CTB1856
Seriennummer: 2027XXXX-->XXXXXXXXX

Der Gegenstand der oben genannten Erklärung erfüllt die einschlägigen Harmonisierungsrechtsvorschriften der Union:

Richtlinie für elektromagnetische Verträglichkeit: 2014/30/EU

Verweise auf die verwendeten einschlägigen harmonisierten Normen oder Bezugnahme auf Spezifikationen, anhand derer die Konformität erklärt wird:

CTB185
Sicherheit: BS EN 62133-2:2017
EMC: BS EN 55014-1:2017+A11:2020
EMC: BS EN 55014-2:2015

CTB8187
Sicherheit: BS EN 62133-2:2017
EMC: BS EN 55014-1:2017+A11:2020
EMC: BS EN 55014-2:2015

CTB1856
Sicherheit: BS EN 62133-2:2017
EMC: EN 55014-1:2017+A11:2020
EMC: EN 55014-2:2015
EMC: CISPR 14-1:2016+COR1:2016 Ed 6.0
EMC: CISPR 14-2:2015 Ed 2.0

Der Bevollmächtigte innerhalb der Europäischen Union (EU) ist:

Francesco Frezza
Snap-on Equipment
Via Prov. Carpi, 33
42015 Correggio RE
Italy

Für und im Namen des oben genannten Herstellers unterzeichnet:

Ort und Datum der Ausstellung:
Kenosha, WI 53143, USA
04-2024

Name, Funktion:
Charles R Frontczak
Leiter Akkutechnik - Elektrowerkzeuge

Unterschrift:

www.snapon.com

DICHIARAZIONE DI CONFORMITÀ CE



La presente dichiarazione di conformità è stata rilasciata ad esclusiva responsabilità del produttore:

Snap-on Tools Company
2801 80th Street
Kenosha, WI 53143, Stati Uniti

OGGETTO DELLA DICHIARAZIONE:

Prodotto: Avvitatore ad impulsi a batteria

Modello n.: Serie CT9035/CT9038

Numero di serie: 2314XXXX-->XXXXXXXXXX

L'oggetto della dichiarazione sopra indicata è conforme alle norme comunitarie armonizzate in materia:

Direttiva Macchine: 2006/42/CE

Direttiva sulla compatibilità elettromagnetica:

2014/30/EU

Direttiva RoHS 3: 2015/863

Riferimenti alle pertinenti norme armonizzate utilizzate o riferimenti alle specifiche in relazione alle quali è stata rilasciata la conformità:

Sicurezza: EN 62841-2-2:2014

EMC: EN 55014-1:2017+A11:2020

EMC: EN 55014-2:2015

RoHS: EN IEC 63000:2018

OGGETTO DELLA DICHIARAZIONE:

Prodotto: Caricabatteria serie

Modello n.: CTC131A

Numero di serie: 2224XXXX-->XXXXXXXXXX

L'oggetto della dichiarazione sopra indicata è conforme alle norme comunitarie armonizzate in materia:

Direttiva sulle basse tensioni: 2014/35/EU

Direttiva sulla compatibilità elettromagnetica:

2014/30/EU

Riferimenti alle pertinenti norme armonizzate utilizzate o riferimenti alle specifiche in relazione alle quali è stata rilasciata la conformità:

Sicurezza: EN 60335-2-29:2004 + A2:2010

EMF: EN 62233:2008 + AC:2008

EMC: EN 55014-1:2017+A11

EMC: EN IEC 61000-3-2:2019

EMC: EN 61000-3-3:2013+A1

EMC: EN 55014-2:2015

OGGETTO DELLA DICHIARAZIONE:

Prodotto: Batteria ricaricabile

Modello n.: CTB185/CTB8187/CTB1856

Numero di serie: 2027XXXX-->XXXXXXXXXX

L'oggetto della dichiarazione sopra indicata è conforme alle norme comunitarie armonizzate in materia:

Direttiva sulla compatibilità elettromagnetica:

2014/30/EU

Riferimenti alle pertinenti norme armonizzate utilizzate o riferimenti alle specifiche in relazione alle quali è stata rilasciata la conformità:

CTB185

Sicurezza: BS EN 62133-2:2017

EMC: BS EN 55014-1:2017+A11:2020

EMC: BS EN 55014-2:2015

CTB8187

Sicurezza: BS EN 62133-2:2017

EMC: BS EN 55014-1:2017+A11:2020

EMC: BS EN 55014-2:2015

CTB1856

Sicurezza: BS EN 62133-2:2017

EMC: EN 55014-1:2017+A11:2020

EMC: EN 55014-2:2015

EMC: CISPR 14-1:2016+COR1:2016 Ed 6.0

EMC: CISPR 14-2:2015 Ed 2.0

Il mandatario responsabile nell'ambito dell'Unione Europea è:

Francesco Frezza
Snap-on Equipment
Via Prov. Carpi, 33
42015 Correggio RE
Italy

Firmato in nome e per conto del produttore soprannominato:

Luogo e data di rilascio:

Kenosha, WI 53143, Stati Uniti
04-2024

Nome, carica:

Charles R Frontczak
Direttore tecnico Elettrotensili cordless

Firma:

www.snapon.com

DECLARACIÓN DE CONFORMIDAD DE LA CE



Esta declaración de conformidad se emite bajo la responsabilidad exclusiva del fabricante:

Snap-on Tools Company
2801 80th Street
Kenosha, WI 53143, EE. UU.

OBJETO DE LA DECLARACIÓN:

Producto: Llave de impacto inalámbrica

Modelo: Serie CT9035/CT9038

Número de serie: 2314XXXX-->XXXXXXXXX

El objeto de la declaración que se describe anteriormente cumple con la legislación sobre armonización de la Unión Europea:

Directiva de maquinaria: 2006/42/EC

Directiva sobre compatibilidad electromagnética: 2014/30/UE

Directiva RoHS 3: 2015/863

Referencias a las normas de armonización relevantes o a las especificaciones en relación a las cuales se declara la conformidad:

Seguridad: EN 62841-2-2:2014

EMC: EN 55014-1:2017+A11:2020

EMC: EN 55014-2:2015

RoHS: EN IEC 63000:2018

OBJETO DE LA DECLARACIÓN:

Producto: Cargador de baterías serie

Modelo: CTC131A

Número de serie: 2224XXXXX-->XXXXXXXXXX

El objeto de la declaración que se describe anteriormente cumple con la legislación sobre armonización de la Unión Europea:

Directiva sobre baja tensión: 2014/35/UE

Directiva sobre compatibilidad electromagnética: 2014/30/UE

Referencias a las normas de armonización relevantes o a las especificaciones en relación a las cuales se declara la conformidad:

Seguridad: EN 60335-2-29:2004 + A2:2010

EMF: EN 62233:2008 + AC:2008

EMC: EN 55014-1:2017+A11

EMC: EN IEC 61000-3-2:2019

EMC: EN 61000-3-3:2013+A1

EMC: EN 55014-2:2015

OBJETO DE LA DECLARACIÓN:

Producto: Batería

Modelo: CTB185/CTB8187/CTB1856

Número de serie: 2027XXXX-->XXXXXXXXX

El objeto de la declaración que se describe anteriormente cumple con la legislación sobre armonización de la Unión Europea:

Directiva sobre compatibilidad electromagnética: 2014/30/UE

Referencias a las normas de armonización relevantes o a las especificaciones en relación a las cuales se declara la conformidad:

CTB185

Seguridad: BS EN 62133-2:2017

EMC: BS EN 55014-1:2017+A11:2020

EMC: BS EN 55014-2:2015

CTB8187

Seguridad: BS EN 62133-2:2017

EMC: BS EN 55014-1:2017+A11:2020

EMC: BS EN 55014-2:2015

CTB1856

Seguridad: BS EN 62133-2:2017

EMC: EN 55014-1:2017+A11:2020

EMC: EN 55014-2:2015

EMC: CISPR 14-1:2016+COR1:2016 Ed 6.0

EMC: CISPR 14-2:2015 Ed 2.0

El representante autorizado que se encuentra dentro de la Unión Europea (UE) es:

Francesco Frezza
Snap-on Equipment
Via Prov. Carpi, 33
42015 Correggio RE
Italy

Firmado para el fabricante mencionado anteriormente o en su nombre:

Emitido en el siguiente lugar y fecha:

Kenosha, WI 53143, EE. UU.

04-2024

Nombre, cargo:

Charles R Frontczak

Director de Ingeniería Inalámbrica - Herramientas motorizadas

Firma:

www.snapon.com

Contact Information

CONTACT US (US) -Register your Product -Issues or Complaints	
Email/ Website	b2b.snapon.com/customerService
Phone Number/ Toll-Free Number	1-877-762-7664

CONTACT US (CA)/NOUS CONTACTER (FR) - Register your Product/Enregistrer votre produit - Issues or Complaints/Problèmes ou réclamations	
Email/Website/ Courriel/Site internet	canadianquestions@snapon.com
Phone Number/ Toll-Free Number/ Numéro de téléphone/Numéro gratuit	Western Canada/Ouest du Canada: 800-263-8665 Eastern Canada/Est du Canada: 800-665-8665

CONTACT US (UK) - Register your Product - Issues or Complaints	
Email/ Website	industrialuk@snapon.com
Phone Number/ Toll-Free Number	+44 (0) 1536 413904

CONTACT OPNEMEN (NL) - Uw product registreren - Problemen of klachten	
E-mailadres/ website	industrial.nl@snapon.com
Telefoonnummer/ Gratis telefoonnummer	+31 20 5682664

NOUS CONTACTER (FR) - Enregistrer votre produit - Problèmes ou réclamations	
Courriel/ Site internet	European.division.south@snapon.com
Numéro de téléphone/ Numéro gratuit	+33 6 4890 7559

KONTAKT (DE) - Registrieren Sie Ihr Produkt - Probleme oder Reklamationen	
E-Mail/ Webseite	indus.germany@snapon.com
Telefonnummer/ Gebührenfreie Rufnummer	+49 2104 9509 0

CONTATTACI (IT) - Registra il tuo prodotto - Problemi o reclami	
Email/ Sito	indus.italia@snapon.com
Numero di telefono/ Numero verde	+39 02 66 04 53 70

CONTACTENOS (ES) - Registre el producto - Preguntas o reclamaciones	
Correo electrónico/ sitio web	European.division.south@snapon.com
Teléfono/teléfono gratuito	+351 914 364 633

連絡先 (JA) - 製品登録 - 問題点またはご意見	
Eメール/ ウェブサイト	SOJ-INFO@snapon.co.jp
電話番号/ フリーダイヤル番号	+81 3 5534 1284



ONE YEAR LIMITED WARRANTY

14.4 V LITHIUM-ION TOOLS
CHARGERS
7.2 V LITHIUM-ION BATTERIES
14.4 V LITHIUM-ION BATTERIES
CORDLESS WORKLIGHT

(LED's are not covered by this or any other warranty)

**TWO YEAR LIMITED/
1000 CHARGE CYCLE WARRANTY**

18 V LITHIUM-ION BATTERIES
18 V LITHIUM-ION CORDLESS TOOLS

SNAP-ON INCORPORATED WARRANTIES THAT SNAP-ON POWER TOOL PRODUCTS ARE FREE FROM DEFECTS IN WORKMANSHIP AND MATERIALS. Snap-on will repair or replace these tools which fail to give satisfactory service due to defective workmanship or materials.

The warranty for Snap-on Cordless Power Tools/ Chargers/ Batteries is listed ABOVE from the date of the original purchase. Repair or replacement shall be at the election and expense of Snap-on. Except where unreasonable, the product must be returned to Snap-on or a Snap-on dealer for warranty service. Snap-on does not provide any warranty for products subjected to abnormal use. Abnormal use includes misuse, modification, unreasonable use, neglect, lack of maintenance, use in production-related service, or use after the tool is significantly worn.

Consumable products are not covered by any warranty. Consumable products are goods reasonably expected to be used up or damaged during use, including but not limited to drill bits, saw blades, grinding discs, sanding discs, knife blades, files, taps, dies, oxygen sensors and non-rechargeable batteries.

SNAP-ON SHALL NOT BE LIABLE FOR ANY INCIDENTAL, SPECIAL OR CONSEQUENTIAL COSTS OR DAMAGES INCURRED BY THE PURCHASER OR OTHERS (including, without limitations, lost profits, revenues, anticipated sales, business opportunities, goodwill, or interruption of business and any other injury or damage. Some states do not allow the exclusion or limitation of incidental or consequential damages, so the above limitation or exclusion may not apply to you. This warranty is your exclusive remedy and is in place of all other rights and remedies. You may have other rights which vary from state to state or country.

SNAP-ON INCORPORATED
Kenosha, WI 53143

Corporate	www.snapon.com
For electronic version of manual	https://b2b.snapon.com/manuals
Customer Service	https://b2b.snapon.com/customerService

Patents

See <https://patents.snapon.com>

Trademark Acknowledgements

Snap-on® is a registered trademark of Snap-on Incorporated
RBRC® and the RBRC Seal are trademarks of Rechargeable Battery Recycling Corporation